

<b>Identification</b>	Type	LOCC-Box-BKW 7-6428
	Part-No.	716428
<b>Description</b>	Insulated jumper combs 8-pin	
<b>Technical data</b>		
Rated current	DC 6 A	
Pole number	8	
<b>General</b>		
Connection device	plug-in	
Contact design	Flat contact 0.5 mm	
Pin spacing	8.2 mm	
Contact material	FeZn	
Material	PVC hard	
Color	white	
Flamability according to UL 94	V0	
Operation temperature range	-40 °C ... +80 °C	
Storage temperature range	-40 °C ... +80 °C	
Weight	0.0030 kg/piece	
PU	5	

25.08.2017 – Subject to technical modification

Part-No. 716428

USA: LUTZE INC.

13330 South Ridge Drive • Charlotte, NC 28273, USA  
Tel. +1 (704) 504-0222 • Fax +1 (704) 504-0223  
www.lutze.com • info@lutze.com

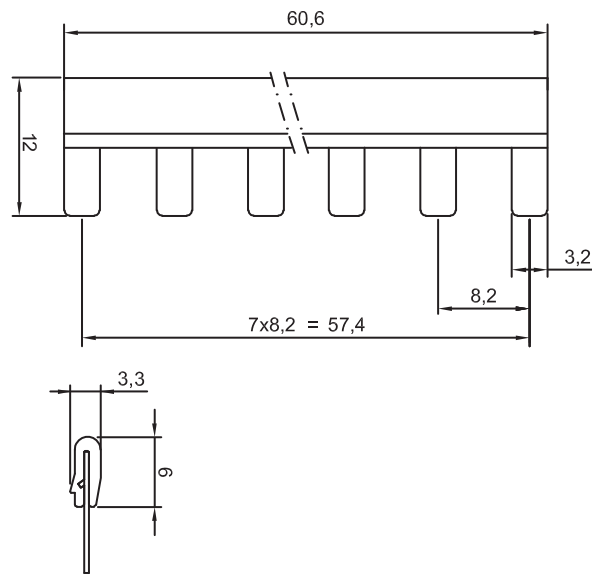
United Kingdom: LÜTZE Ltd.

Unit 3, Sandy Hill Park  
Sandy Way, Amington • GB-Tamworth, Staffs B77 4DU  
Tel. +44 (0)1827 31333-0 • Fax +44 (0)1827 31333-2  
www.lutze.com • sales.gb@lutze.co.uk



SYSTEMATIC TECHNOLOGY

**Dimensions**



25.08.2017 – Subject to technical modification

Part-No. 716428

USA: LUTZE INC.

13330 South Ridge Drive • Charlotte, NC 28273, USA  
Tel. +1 (704) 504-0222 • Fax +1 (704) 504-0223  
www.lutze.com • info@lutze.com

United Kingdom: LÜTZE Ltd.

Unit 3, Sandy Hill Park  
Sandy Way, Amington • GB-Tamworth, Staffs B77 4DU  
Tel. +44 (0)1827 31333-0 • Fax +44 (0)1827 31333-2  
www.lutze.com • sales.gb@lutze.co.uk