

<b>Identification</b>	Type Part-No.	LOCC-Box-BKR 7-6429 716429
<b>Description</b>	Insulated jumper combs 8-pin	
<b>Technical data</b>	Rated current DC 6 A Pole number 8	
<b>General</b>	Connection device plug-in Contact design Flat contact 0.5 mm Pin spacing 8.2 mm Contact material FeZn Material PVC hard Color red Flamability according to UL 94 V0 Operation temperature range -40 °C ... +80 °C Storage temperature range -40 °C ... +80 °C Weight 0.0030 kg/piece PU 5	

25.08.2017 – Subject to technical modification

Part-No. 716429

USA: LUTZE INC.

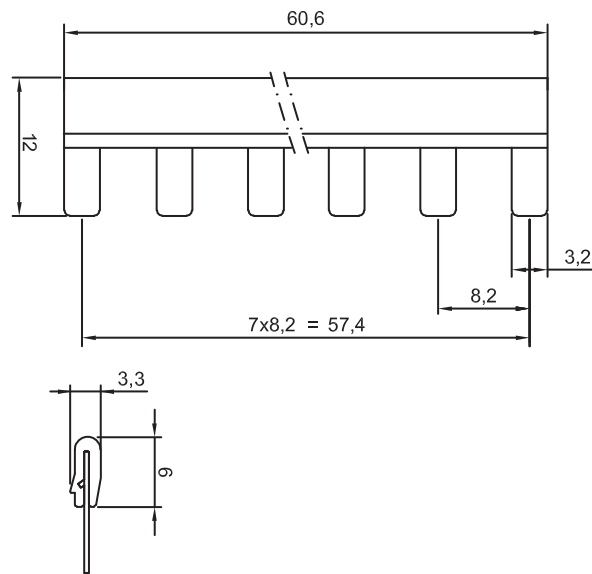
13330 South Ridge Drive • Charlotte, NC 28273, USA  
Tel. +1 (704) 504-0222 • Fax +1 (704) 504-0223  
www.lutze.com • info@lutze.com

United Kingdom: LÜTZE Ltd.

Unit 3, Sandy Hill Park  
Sandy Way, Amington • GB-Tamworth, Staffs B77 4DU  
Tel. +44 (0)1827 31333-0 • Fax +44 (0)1827 31333-2  
www.lutze.com • sales.gb@lutze.co.uk

SYSTEMATIC TECHNOLOGY

Dimensions



25.08.2017 – Subject to technical modification

Part-No. 716429

USA: LUTZE INC.

13330 South Ridge Drive · Charlotte, NC 28273, USA  
Tel. +1 (704) 504-0222 · Fax +1 (704) 504-0223  
www.lutze.com · info@lutze.com

United Kingdom: LÜTZE Ltd.

Unit 3, Sandy Hill Park  
Sandy Way, Amington · GB-Tamworth, Staffs B77 4DU  
Tel. +44 (0)1827 31333-0 · Fax +44 (0)1827 31333-2  
www.lutze.com · sales.gb@lutze.co.uk