



| | | |
|-----------------------------|---|----------------------|
| Identification | Type | LOCC-Box-ES16 7-6447 |
| | Part-No. | 716447 |
| Description | LOCC-Box supply set 16 mm ² consisting of supply terminal and end block maximum total current 40 A | |
| General | | |
| Housing material | PA 6.6 (UL 94 V-0, NFF I2, F2) | |
| Mounting | DIN rail mountable TS35 (EN 60715) | |
| Protection class | IP20 | |
| Installation position | any | |
| Operation temperature range | -25 °C ... +60 °C | |
| Storage temperature range | -40 °C ... +85 °C | |
| Weight | 0.0450 kg/piece | |
| Dimensions (w × h × d) | 10.0 × 119.4 × 63.7 mm | |
| PU | 1 | |
| Approvals | cULus (E135145) | |

25.08.2017 – Subject to technical modification

Part-No. 716447

USA: LUTZE INC.

13330 South Ridge Drive · Charlotte, NC 28273, USA
Tel. +1 (704) 504-0222 · Fax +1 (704) 504-0223
www.lutze.com · info@lutze.com

United Kingdom: LÜTZE Ltd.

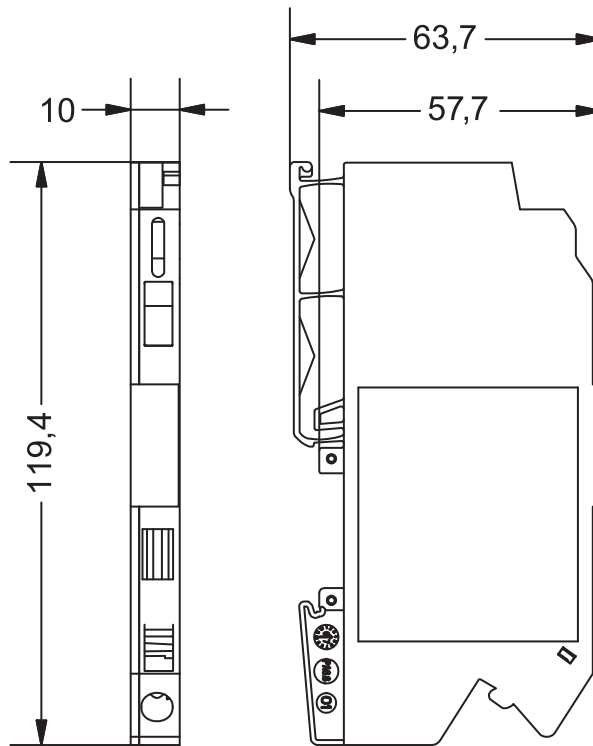
Unit 3, Sandy Hill Park
Sandy Way, Amington · GB-Tamworth, Staffs B77 4DU
Tel. +44 (0)1827 31333-0 · Fax +44 (0)1827 31333-2
www.lutze.com · sales.gb@lutze.co.uk



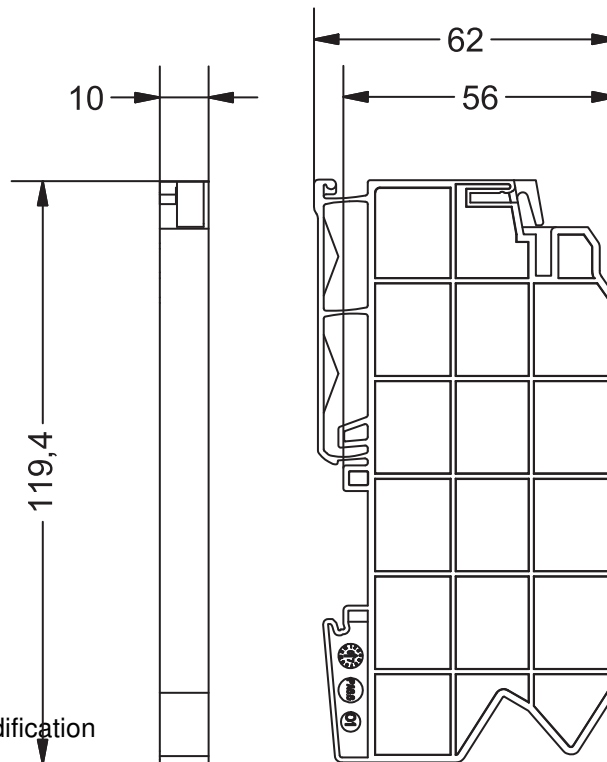
SYSTEMATIC TECHNOLOGY

Dimensions

Supply terminal



End block



25.08.2017 – Subject to technical modification

Part-No. 716447

USA: LUTZE INC.

13330 South Ridge Drive • Charlotte, NC 28273, USA

Tel. +1 (704) 504-0222 • Fax +1 (704) 504-0223

www.lutze.com • info@lutze.com

United Kingdom: LÜTZE Ltd.

Unit 3, Sandy Hill Park

Sandy Way, Amington • GB-Tamworth, Staffs B77 4DU

Tel. +44 (0)1827 31333-0 • Fax +44 (0)1827 31333-2

www.lutze.com • sales.gb@lutze.co.uk