



<b>Identification</b>	Type	OT-6825 DC 24 V
	Part-No.	716825
<b>Input</b>		
Input voltage range		17.0 V – 30.0 V
Rated current		25.0 mA
Interrupting voltage		<8 V
Protection device		Supressor diode
Status Indication		LED green
<b>Load Side</b>		
Min. switching voltage		AC 24 V
Max. switching voltage		AC 400 V
Min. switching current		AC 100 mA
Max. switching current		AC 3.4 A
Inrush current		AC 120 A (10 ms)
Leakage current		<1.7 mA
Switch-on delay		5.5 ms
Switch-off delay		10 ms
Switching frequency		<10 HZ
Clearance/creep. dist. (control/load side)		> 5.5 mm
Protection device output		Varistor

20.04.2013 – Subject to technical modification

Part-No. 716825

USA: LUTZE INC.

13330 South Ridge Drive · Charlotte, NC 28273, USA  
 Tel. +1 (704) 504-0222 · Fax +1 (704) 504-0223  
 www.lutze.com · info@lutze.com

United Kingdom: LÜTZE Ltd.

Unit 3, Sandy Hill Park  
 Sandy Way, Amington · GB-Tamworth, Staffs B77 4DU  
 Tel. +44 (0)1827 31333-0 · Fax +44 (0)1827 31333-2  
 www.lutze.com · sales.gb@lutze.co.uk



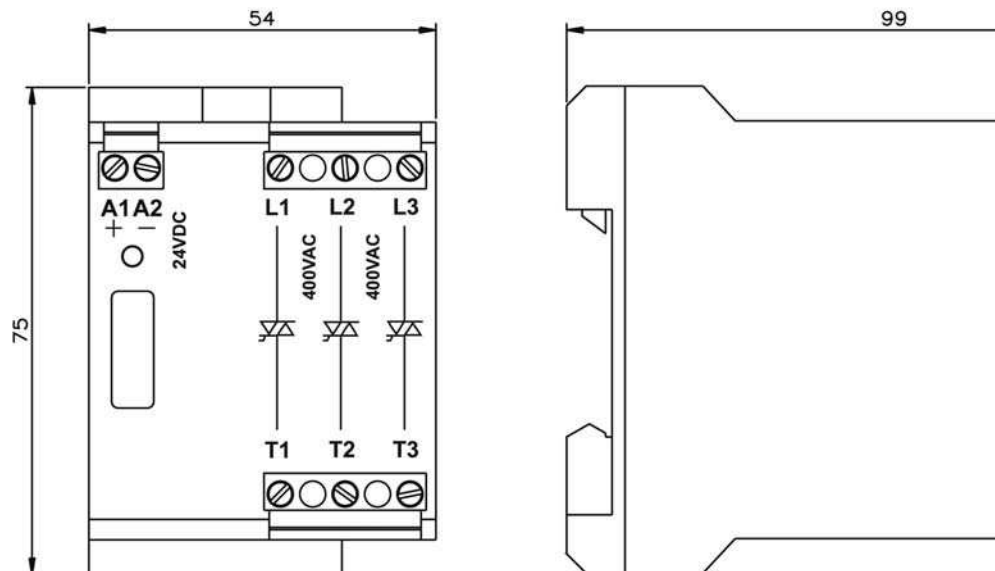
SYSTEMATIC TECHNOLOGY

# Technical data sheet · Interface Technology

## General

Housing material	Plastic
Protection class	IP 20
Field installation	rail TS 35 (EN 50022)
Insulation voltage input/output	0.5 kV <sub>eff</sub>
Safe isolation	yes
Min. working temperature	-25 °C
Max. working temperature	55 °C
Min. storage temperature	-40 °C
Max. storage temperature	80 °C
Width	54.0
Height	99.0
Depth	75.0
Weight (kg/piece)	0.285
Approvals	cULus, GL in preparation
Termination	Screw terminal: 0.5–4.0 mm <sup>2</sup>

## Dimensions



20.04.2013 – Subject to technical modification

Part-No. 716825

USA: LUTZE INC.

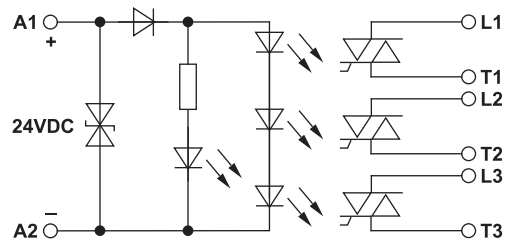
13330 South Ridge Drive · Charlotte, NC 28273, USA  
Tel. +1 (704) 504-0222 · Fax +1 (704) 504-0223  
www.lutze.com · info@lutze.com

United Kingdom: LÜTZE Ltd.

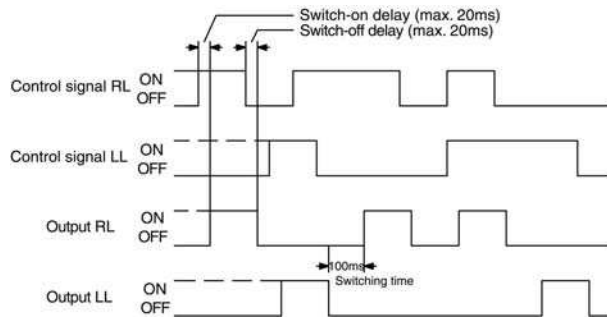
Unit 3, Sandy Hill Park  
Sandy Way, Amington · GB-Tamworth, Staffs B77 4DU  
Tel. +44 (0)1827 31333-0 · Fax +44 (0)1827 31333-2  
www.lutze.com · sales.gb@lutze.co.uk

# Technical data sheet · Interface Technology

## PIN assignment



## Action chart



20.04.2013 – Subject to technical modification

Part-No. 716825

USA: LUTZE INC.

13330 South Ridge Drive · Charlotte, NC 28273, USA  
Tel. +1 (704) 504-0222 · Fax +1 (704) 504-0223  
www.lutze.com · info@lutze.com

United Kingdom: LÜTZE Ltd.

Unit 3, Sandy Hill Park  
Sandy Way, Amington · GB-Tamworth, Staffs B77 4DU  
Tel. +44 (0)1827 31333-0 · Fax +44 (0)1827 31333-2  
www.lutze.com · sales.gb@lutze.co.uk