



Identification	Type	OT-6826 DC 24 V
	Part-No.	716826
Input		
Input voltage range		17.0 V – 30.0 V
Rated current		25.0 mA
Interrupting voltage		<8 V
Protection device		Supressor diode
Status Indication		LED green
Load Side		
Min. switching voltage		AC 24 V
Max. switching voltage		AC 400 V
Min. switching current		AC 100 mA
Max. switching current		AC 3.8 A
Inrush current		AC 120 A (10 ms)
Leakage current		<1.7 mA
Switch-on delay		115 ms
Switch-off delay		10 ms
Switching frequency		<5 Hz
Clearance/creep. dist. (control/load side)		> 5.5 mm
Protection device output		Varistor, RC combination

20.04.2013 – Subject to technical modification

Part-No. 716826

USA: LUTZE INC.

13330 South Ridge Drive · Charlotte, NC 28273, USA
 Tel. +1 (704) 504-0222 · Fax +1 (704) 504-0223
 www.lutze.com · info@lutze.com

United Kingdom: LÜTZE Ltd.

Unit 3, Sandy Hill Park
 Sandy Way, Amington · GB-Tamworth, Staffs B77 4DU
 Tel. +44 (0)1827 31333-0 · Fax +44 (0)1827 31333-2
 www.lutze.com · sales.gb@lutze.co.uk

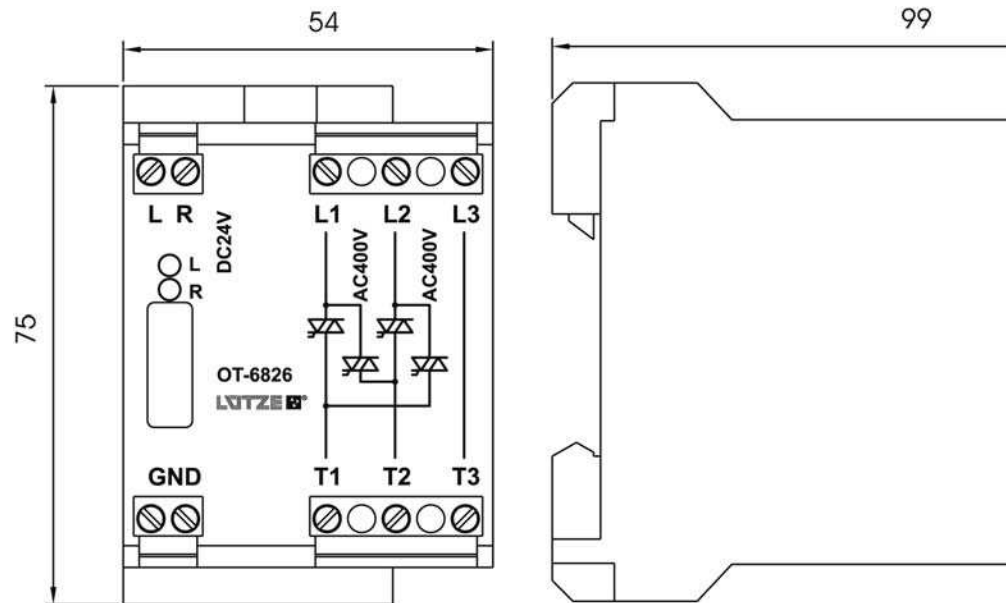


Technical data sheet · Interface Technology

General

Housing material	Plastic
Protection class	IP 20
Field installation	rail TS 35 (EN 50022)
Insulation voltage input/output	0.5 kV _{eff}
Safe isolation	yes
Min. working temperature	-25 °C
Max. working temperature	55 °C
Min. storage temperature	-40 °C
Max. storage temperature	80 °C
Width	54.0
Height	99.0
Depth	75.0
Weight (kg/piece)	0.285
Approvals	cULus, GL in preparation
Termination	Screw terminal: 0.5–4.0 mm ²

Dimensions



20.04.2013 – Subject to technical modification

Part-No. 716826

USA: LUTZE INC.

13330 South Ridge Drive · Charlotte, NC 28273, USA
Tel. +1 (704) 504-0222 · Fax +1 (704) 504-0223
www.lutze.com · info@lutze.com

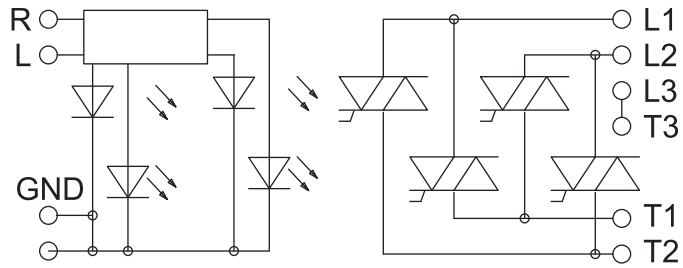
United Kingdom: LÜTZE Ltd.

Unit 3, Sandy Hill Park
Sandy Way, Amington · GB-Tamworth, Staffs B77 4DU
Tel. +44 (0)1827 31333-0 · Fax +44 (0)1827 31333-2
www.lutze.com · sales.gb@lutze.co.uk

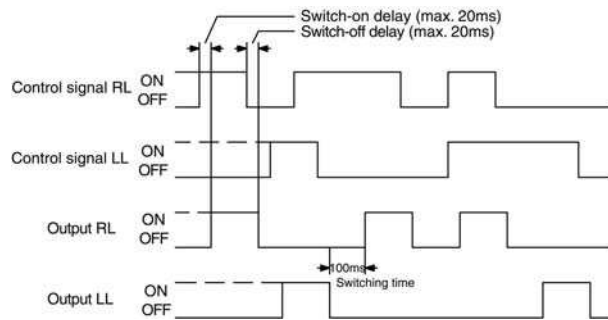


SYSTEMATIC TECHNOLOGY

PIN assignment



Action chart



20.04.2013 – Subject to technical modification

Part-No. 716826

USA: LUTZE INC.

13330 South Ridge Drive • Charlotte, NC 28273, USA

Tel. +1 (704) 504-0222 • Fax +1 (704) 504-0223

www.lutze.com • info@lutze.com

United Kingdom: LÜTZE Ltd.

Unit 3, Sandy Hill Park

Sandy Way, Amington • GB-Tamworth, Staffs B77 4DU

Tel. +44 (0)1827 31333-0 • Fax +44 (0)1827 31333-2

www.lutze.com • sales.gb@lutze.co.uk



SYSTEMATIC TECHNOLOGY