



unregulated, 72–240 Watt

Identification	Type	NG 24/10-2622 with fuse
	Part-No.	722622

Input

Input voltage	AC 230 / 400 V
Operation voltage range	AC 207–244 V / AC 360–424 V
Line frequency	47 Hz–63 Hz
Nominal voltage range	+6 % to -10 %
Rated current	2.4 A / 1.6 A
Rated power	240 W
Recommended back-up fuse	4 A / 2 A
Termination	Screw terminal with additional flat connector: 0.5–6.0 mm ²

Load Side

Rated current output	10 A
Nominal voltage	at open-circuit 30.2 V, at full load: 20.4 V
Ripple	< 5%
Status indication DC ON LED green	Yes
Parallel/redundant operation	with 90% load current
Efficiency	77 %
Rated over load protection	yes
Output circuit	Varistor and capacitor
Termination	Screw terminal: 0.5–4.0 mm ²

20.04.2013 – Subject to technical modification

Part-No. 722622

USA: LUTZE INC.

13330 South Ridge Drive • Charlotte, NC 28273, USA
 Tel. +1 (704) 504-0222 • Fax +1 (704) 504-0223
 www.lutze.com • info@lutze.com

United Kingdom: LÜTZE Ltd.

Unit 3, Sandy Hill Park
 Sandy Way, Amington • GB-Tamworth, Staffs B77 4DU
 Tel. +44 (0)1827 31333-0 • Fax +44 (0)1827 31333-2
 www.lutze.com • sales.gb@lutze.co.uk



SYSTEMATIC TECHNOLOGY

Technical data sheet - Power supply

General

Insulation voltage input/output	4.0 kV _{eff}
Insulation class	T 40 / B
Insulation class	according to VDE B, UL/CSA: class 130
Operation temperature range	-25 °C – 80 °C
Storage temperature range	-40 °C – 80 °C
Relative humidity	80% occasional condensation possible
Dimensions (w × h × d)	120.0×174.0×101.5 mm
Cooling	Air convection
Installation position	Optional
Housing material	metal
Protection class	IP 00
Field installation	Screw terminal: 0.5–4.0 mm ²
Assembly borehole	85 mm × 90 mm/M 5
Cu application weight	1 kg/piece
IP rating	I
Standards	Transformer compliant with IEC 61-558, Output limit values compliant with EN 61 131-2 EMC compliant with EN 50 081-1 and EN 50 082-2, Main connection compliant with EN 61 000-3-2
Weight (kg/piece)	5.600
Termination	Screw terminal
Approvals	cULus

Monitoring

Insulation voltage	4 kV
--------------------	------

20.04.2013 – Subject to technical modification

Part-No. 722622

USA: LUTZE INC.

13330 South Ridge Drive • Charlotte, NC 28273, USA

Tel. +1 (704) 504-0222 • Fax +1 (704) 504-0223

www.lutze.com • info@lutze.com

United Kingdom: LÜTZE Ltd.

Unit 3, Sandy Hill Park

Sandy Way, Amington • GB-Tamworth, Staffs B77 4DU

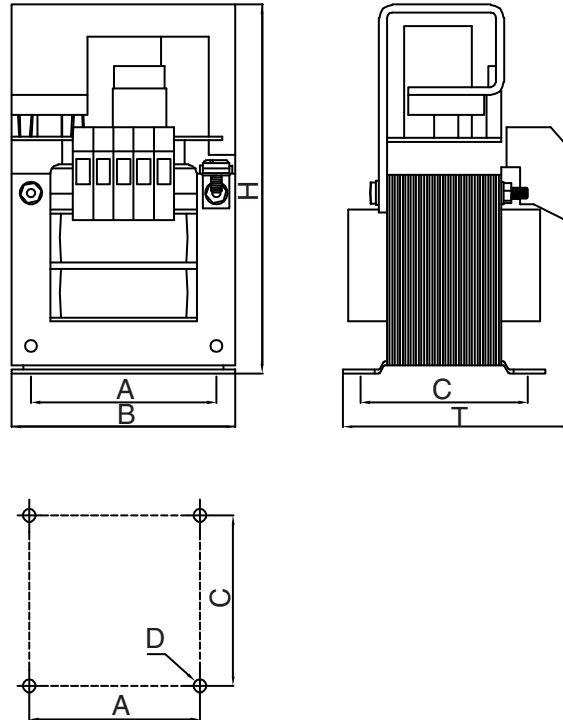
Tel. +44 (0)1827 31333-0 • Fax +44 (0)1827 31333-2

www.lutze.com • sales.gb@lutze.co.uk

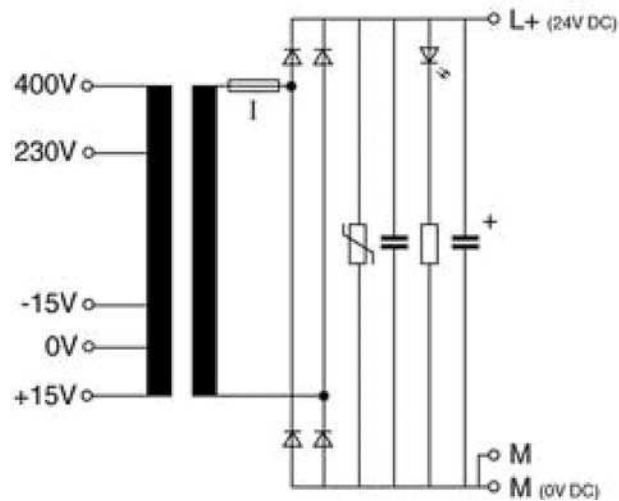


SYSTEMATIC TECHNOLOGY

Dimensions



PIN assignment



Description

Single-phase power supply with output fuse, DC 24 V / 10 A.
 The output voltage is filtered and equalised, enabling the operation of PLC control systems. Use up to 40°C ambient temperature at 100% ED.

20.04.2013 – Subject to technical modification

Part-No. 722622

USA: LUTZE INC.

13330 South Ridge Drive • Charlotte, NC 28273, USA

Tel. +1 (704) 504-0222 • Fax +1 (704) 504-0223

www.lutze.com • info@lutze.com

United Kingdom: LÜTZE Ltd.

Unit 3, Sandy Hill Park

Sandy Way, Amington • GB-Tamworth, Staffs B77 4DU

Tel. +44 (0)1827 31333-0 • Fax +44 (0)1827 31333-2

www.lutze.com • sales.gb@lutze.co.uk



SYSTEMATIC TECHNOLOGY