

regulated, 30 W



---

|                       |          |           |
|-----------------------|----------|-----------|
| <b>Identification</b> | Type     | DRA30-24A |
|                       | Part-No. | 722753    |

---

|                    |   |
|--------------------|---|
| <b>Description</b> | Primary switchmode power supply, Single-phase, Class 2<br>Input: wide-range input AC 85–264 V, DC 90–375 V<br>Output: 5 V / 12 V / 24 V, adjustable |
|--------------------|---|

---

25.08.2017 – Subject to technical modification

Part-No. 722753

USA: LUTZE INC.

13330 South Ridge Drive · Charlotte, NC 28273, USA  
Tel. +1 (704) 504-0222 · Fax +1 (704) 504-0223  
www.lutze.com · info@lutze.com

United Kingdom: LÜTZE Ltd.

Unit 3, Sandy Hill Park  
Sandy Way, Amington · GB-Tamworth, Staffs B77 4DU  
Tel. +44 (0)1827 31333-0 · Fax +44 (0)1827 31333-2  
www.lutze.com · sales.gb@lutze.co.uk



SYSTEMATIC TECHNOLOGY

## Technical data sheet · Power supply

---

### Input

---

|                         |                                       |
|-------------------------|---------------------------------------|
| Number of phases        | 1                                     |
| Rated voltage $U_N$     | AC 100–240 V                          |
| Operation voltage range | AC 85–264 V / DC 90–375 V             |
| Line frequency          | 47 – 63 Hz                            |
| Rated current $I_N$     | 360 mA @ AC 115 V / 190 mA @ AC 230 V |
| Inrush current          | 20 A @ AC 115 V / 40 A @ AC 230 V     |
| Internal fuse           | T 2 A/AC 250 V                        |
| External fuse           | Mini-circuit breaker: B 4 A           |

---

### Output

---

|   |   |
|---|---|
| Rated voltage $U_N$                         | DC 24.00 V  |
| Rated current $I_N$                         | 1.25 A  |
| Heat dissipation                            | 5.5 W @ AC 230 V  |
| Setting range $U_{out\ min.}/U_{out\ max.}$ | 24-28 V   |
| Accuracy                                    | ±1 %  |
| Load regulation                             | ±0.5 %  |
| Line regulation                             | ±0.5 %  |
| Rise time                                   | 1 s   |
| Temperature coefficient                     | ±0.03 % / °C  |
| Ripple and Noise                            | <50 mV  |
| Hold up time                                | 20 ms @ 115 V / 30 ms @ 230 V                               |
| Status indication DC ON LED green           | ≥19.2 V   |
| Parallel / redundant mode                   | max. 2 devices / via external decoupling diodes e.g. 722987 |
| Efficiency                                  | 86 %  |
| Over voltage protection                     | 125–137 %   |
| Rated over load protection                  | 110–140 %   |
| Short circuit                               | Hiccup Mode   |

---

### Monitoring

---

|                     |                |
|---------------------|----------------|
| DC ON Control (Rdy) | Open Collector |
| Switching voltage   | DC 24 V        |
| Switching current   | ≤35 mA         |
| Isolation voltage   | none           |

---

### General

---

|                                    |                                       |
|------------------------------------|---------------------------------------|
| Switching frequency                | approx. 80 kHz                        |
| Insulation voltage input / output  | DC 4.2 kV                             |
| Insulation voltage input / ground  | DC 2.1 kV                             |
| Insulation voltage output / ground | DC 700 V                              |
| Insulation resistance at DC 500 V  | 100 MΩ                                |
| Derating                           | Capacity: -2.5 %/°C starting at 60 °C |

---

25.08.2017 – Subject to technical modification

Part-No. 722753

USA: LUTZE INC.

13330 South Ridge Drive • Charlotte, NC 28273, USA  
Tel. +1 (704) 504-0222 • Fax +1 (704) 504-0223  
www.lutze.com • info@lutze.com

United Kingdom: LÜTZE Ltd.

Unit 3, Sandy Hill Park  
Sandy Way, Amington • GB-Tamworth, Staffs B77 4DU  
Tel. +44 (0)1827 31333-0 • Fax +44 (0)1827 31333-2  
www.lutze.com • sales.gb@lutze.co.uk



SYSTEMATIC TECHNOLOGY

## Technical data sheet · Power supply

---

|                             |  |
|-----------------------------|--|
| Operation temperature range | -25 °C ... +70 °C (Derating)   |
| Storage temperature range   | -25 °C ... +85 °C  |
| MTBF                        | 588000 h   |
| Relative air humidity       | 20 – 95 % RH, not condensing   |
| Cooling                     | Air convection, 25 mm clearance all-round  |
| Housing material            | Plastic  |
| Mounting                    | DIN rail mountable TS35<br>(EN 60715)  |
| Application height          | 2000 m   |
| Installation position       | vertical   |
| Protection class            | IP20   |
| Protection class            | I  |
| Over voltage category       | II   |
| Degree of pollution         | 2  |
| Weight                      | 0.290 kg/piece   |
| Connection device           | Screw terminal<br>0.20 mm <sup>2</sup> – 2.5 mm <sup>2</sup><br>max. 0.56 Nm   |
| Dimensions (w × h × d)      | 40.5 × 90.0 × 115.0 mm   |
| Approvals                   | cULus (E249179)  |
| Standards                   | UL 60950-1<br>UL 1310 Class 2<br>EN 60950-1<br>EN 61000-6-3<br>EN 55022 Class B<br>EN 61000-3-2<br>EN 61000-3-3<br>EN 55024<br>EN 61000-6-2<br>EN 61000-4-2<br>EN 61000-4-3<br>EN 61000-4-4<br>EN 61000-4-5<br>EN 61000-4-6<br>EN 61000-4-8<br>EN 61000-4-11 |
| PU                          | 1 piece  |

25.08.2017 – Subject to technical modification

Part-No. 722753

USA: LUTZE INC.

13330 South Ridge Drive · Charlotte, NC 28273, USA

Tel. +1 (704) 504-0222 · Fax +1 (704) 504-0223

www.lutze.com · info@lutze.com

United Kingdom: LÜTZE Ltd.

Unit 3, Sandy Hill Park

Sandy Way, Amington · GB-Tamworth, Staffs B77 4DU

Tel. +44 (0)1827 31333-0 · Fax +44 (0)1827 31333-2

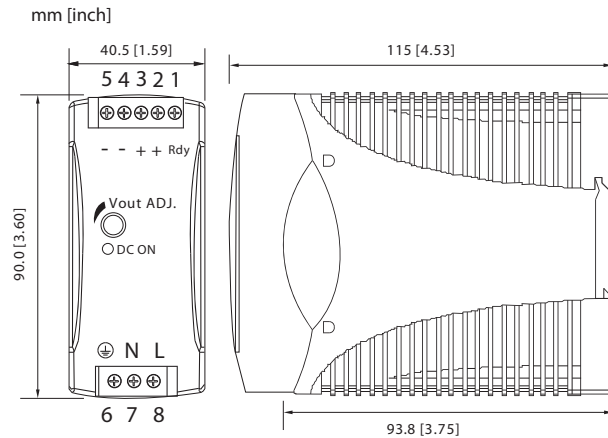
www.lutze.com · sales.gb@lutze.co.uk



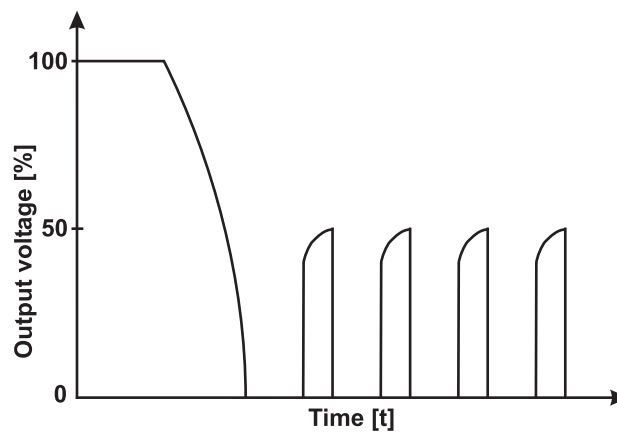
SYSTEMATIC TECHNOLOGY

# Technical data sheet · Power supply

## Dimensions



## Short circuit characteristics



25.08.2017 – Subject to technical modification

Part-No. 722753

USA: LUTZE INC.

13330 South Ridge Drive · Charlotte, NC 28273, USA

Tel. +1 (704) 504-0222 · Fax +1 (704) 504-0223

www.lutze.com · info@lutze.com

United Kingdom: LÜTZE Ltd.

Unit 3, Sandy Hill Park

Sandy Way, Amington · GB-Tamworth, Staffs B77 4DU

Tel. +44 (0)1827 31333-0 · Fax +44 (0)1827 31333-2

www.lutze.com · sales.gb@lutze.co.uk



SYSTEMATIC TECHNOLOGY