

regulated, 30 W



Identification	Type	DRA30-5A
	Part-No.	722763

Description	Primary switchmode power supply, Single-phase, Class 2 Input: wide-range input AC 85–264 V, DC 90–375 V Output: 5 V / 12 V / 24 V, adjustable
--------------------	---

25.08.2017 – Subject to technical modification

Part-No. 722763

USA: LUTZE INC.

13330 South Ridge Drive • Charlotte, NC 28273, USA
Tel. +1 (704) 504-0222 • Fax +1 (704) 504-0223
www.lutze.com • info@lutze.com

United Kingdom: LÜTZE Ltd.

Unit 3, Sandy Hill Park
Sandy Way, Amington • GB-Tamworth, Staffs B77 4DU
Tel. +44 (0)1827 31333-0 • Fax +44 (0)1827 31333-2
www.lutze.com • sales.gb@lutze.co.uk



SYSTEMATIC TECHNOLOGY

Technical data sheet · Power supply

Input

Number of phases	1
Rated voltage U_N	AC 100–240 V
Operation voltage range	AC 85–264 V / DC 90–375 V
Line frequency	47 – 63 Hz
Rated current I_N	360 mA @ AC 115 V / 190 mA @ AC 230 V
Inrush current	20 A @ AC 115 V / 40 A @ AC 230 V
Internal fuse	T 2 A/AC 250 V
External fuse	Mini-circuit breaker: B 4 A

Output

Rated voltage U_N	DC 5.00 V
Rated current I_N	6.00 A
Heat dissipation	8.5 W @ AC 230 V
Setting range $U_{out\ min.}/U_{out\ max.}$	5.0-5.5 V
Accuracy	±1 %
Load regulation	±0.5 %
Line regulation	±0.5 %
Rise time	1 s
Temperature coefficient	±0.03 % / °C
Ripple and Noise	<50 mV
Hold up time	20 ms @ 115 V / 30 ms @ 230 V
Status indication DC ON LED green	≥4 V
Parallel / redundant mode	max. 2 devices / via external decoupling diodes e.g. 722987
Efficiency	79 %
Over voltage protection	125–137 %
Rated over load protection	120–136 %
Short circuit	Hiccup Mode

Monitoring

DC ON Control (Rdy)	Open Collector
Switching voltage	DC 24 V
Switching current	≤35 mA
Isolation voltage	none

General

Switching frequency	approx. 80 kHz
Insulation voltage input / output	DC 4.2 kV
Insulation voltage input / ground	DC 2.1 kV
Insulation voltage output / ground	DC 700 V
Insulation resistance at DC 500 V	100 MΩ
Derating	Capacity: -2.5 %/°C starting at 60 °C

25.08.2017 – Subject to technical modification

Part-No. 722763

USA: LUTZE INC.

13330 South Ridge Drive · Charlotte, NC 28273, USA

Tel. +1 (704) 504-0222 · Fax +1 (704) 504-0223

www.lutze.com · info@lutze.com

United Kingdom: LÜTZE Ltd.

Unit 3, Sandy Hill Park

Sandy Way, Amington · GB-Tamworth, Staffs B77 4DU

Tel. +44 (0)1827 31333-0 · Fax +44 (0)1827 31333-2

www.lutze.com · sales.gb@lutze.co.uk



SYSTEMATIC TECHNOLOGY

Technical data sheet · Power supply

Operation temperature range	-25 °C ... +70 °C (Derating)
Storage temperature range	-25 °C ... +85 °C
MTBF	551000 h
Relative air humidity	20 – 95 % RH, not condensing
Cooling	Air convection, 25 mm clearance all-round
Housing material	Plastic
Mounting	DIN rail mountable TS35 (EN 60715)
Application height	2000 m
Installation position	vertical
Protection class	IP20
Protection class	I
Over voltage category	II
Degree of pollution	2
Weight	0.290 kg/piece
Connection device	Screw terminal 0.20 mm ² – 2.5 mm ² max. 0.56 Nm
Dimensions (w × h × d)	40.5 × 90.0 × 115.0 mm
Approvals	cULus (E249179)
Standards	UL 60950-1 UL 1310 Class 2 EN 60950-1 EN 61000-6-3 EN 55022 Class B EN 61000-3-2 EN 61000-3-3 EN 55024 EN 61000-6-2 EN 61000-4-2 EN 61000-4-3 EN 61000-4-4 EN 61000-4-5 EN 61000-4-6 EN 61000-4-8 EN 61000-4-11
PU	1 piece

25.08.2017 – Subject to technical modification

Part-No. 722763

USA: LUTZE INC.

13330 South Ridge Drive · Charlotte, NC 28273, USA

Tel. +1 (704) 504-0222 · Fax +1 (704) 504-0223

www.lutze.com · info@lutze.com

United Kingdom: LÜTZE Ltd.

Unit 3, Sandy Hill Park

Sandy Way, Amington · GB-Tamworth, Staffs B77 4DU

Tel. +44 (0)1827 31333-0 · Fax +44 (0)1827 31333-2

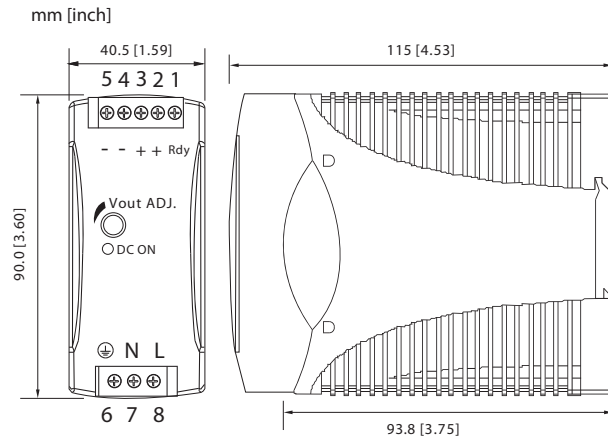
www.lutze.com · sales.gb@lutze.co.uk



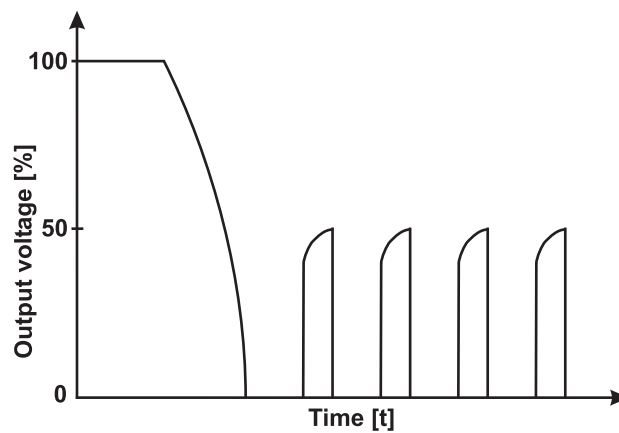
SYSTEMATIC TECHNOLOGY

Technical data sheet · Power supply

Dimensions



Short circuit characteristics



25.08.2017 – Subject to technical modification

Part-No. 722763

USA: LUTZE INC.

13330 South Ridge Drive · Charlotte, NC 28273, USA
Tel. +1 (704) 504-0222 · Fax +1 (704) 504-0223
www.lutze.com · info@lutze.com

United Kingdom: LÜTZE Ltd.

Unit 3, Sandy Hill Park
Sandy Way, Amington · GB-Tamworth, Staffs B77 4DU
Tel. +44 (0)1827 31333-0 · Fax +44 (0)1827 31333-2
www.lutze.com · sales.gb@lutze.co.uk



SYSTEMATIC TECHNOLOGY