

regulated, 60 W



Identification	Type	DRA60-48A
	Part-No.	722776

Description	Primary switchmode power supply, Single-phase, Class 2 Input: wide-range input AC 85–264 V, DC 90–375 V Output: 12 V / 24 V / 48 V, adjustable
--------------------	--

04.04.2017 – Subject to technical modification

Part-No. 722776

USA: LUTZE INC.

13330 South Ridge Drive • Charlotte, NC 28273, USA
Tel. +1 (704) 504-0222 • Fax +1 (704) 504-0223
www.lutze.com • info@lutze.com

United Kingdom: LÜTZE Ltd.

Unit 3, Sandy Hill Park
Sandy Way, Amington • GB-Tamworth, Staffs B77 4DU
Tel. +44 (0)1827 31333-0 • Fax +44 (0)1827 31333-2
www.lutze.com • sales.gb@lutze.co.uk



SYSTEMATIC TECHNOLOGY

Technical data sheet · Power supply

Input

Number of phases	1
Rated voltage U_N	AC 100–240 V
Operation voltage range	AC 85–264 V / DC 90–375 V
Line frequency	47 – 63 Hz
Rated current I_N	690 mA @ AC 115 V / 360 mA @ AC 230 V
Inrush current	20 A @ AC 115 V / 40 A @ AC 230 V
Internal fuse	T 2 A/AC 250 V
External fuse	Mini-circuit breaker: B 6 A

Output

Rated voltage U_N	DC 48.00 V
Rated current I_N	1.25 A
Heat dissipation	7.8 W @ AC 230 V
Setting range $U_{out\ min.}/U_{out\ max.}$	48-55 V
Accuracy	±1 %
Load regulation	±0.5 %
Line regulation	±0.5 %
Rise time	1 s
Temperature coefficient	±0.03 % / °C
Ripple and Noise	50 mV
Hold up time	20 ms @ 115 V / 30 ms @ 230 V
Status indication DC ON LED green	≥37 V
Parallel / redundant mode	max. 2 devices / via external decoupling diodes e.g. 722987
Efficiency	89 %
Over voltage protection	125–138 %
Rated over load protection	110–150 %
Short circuit	Hiccup Mode

General

Switching frequency	approx. 80 kHz
Insulation voltage input / output	AC 3.0 kV _{eff}
Insulation voltage input / ground	AC 1.5 kV _{eff}
Insulation resistance at DC 500 V	100 MΩ
Derating	Capacity: -2.5 %/°C starting at 60 °C
Operation temperature range	-25 °C ... +70 °C (Derating)
Storage temperature range	-25 °C ... +85 °C
MTBF	531000 h
Relative air humidity	20 – 90 % RH, not condensing
Cooling	Air convection, 25 mm clearance all-round
Housing material	Plastic

04.04.2017 – Subject to technical modification

Part-No. 722776

USA: LUTZE INC.

13330 South Ridge Drive • Charlotte, NC 28273, USA
Tel. +1 (704) 504-0222 • Fax +1 (704) 504-0223
www.lutze.com • info@lutze.com

United Kingdom: LÜTZE Ltd.

Unit 3, Sandy Hill Park
Sandy Way, Amington • GB-Tamworth, Staffs B77 4DU
Tel. +44 (0)1827 31333-0 • Fax +44 (0)1827 31333-2
www.lutze.com • sales.gb@lutze.co.uk



SYSTEMATIC TECHNOLOGY

Technical data sheet · Power supply

Mounting	Can be snapped onto hat profile TS35 (EN 60715)
Application height	2000 m
Installation position	vertical
Protection class	IP20
Protection class	II (SELV, PELV)
Over voltage category	II
Degree of pollution	2
Weight	0.340 kg/piece
Connection device	Screw terminal 0.20 mm ² – 2.5 mm ² max. 0.56 Nm
Dimensions (w × h × d)	40.5 × 90.0 × 115.0 mm
Approvals	cULus (E249179)
Standards	UL 60950-1 UL 1310 Class 2 EN 60950-1 EN 61558-1 EN 61558-2-17 EN 61000-6-3 EN 55022 Class B EN 61000-3-2 EN 61000-3-3 EN 55024 EN 61000-6-2 EN 61000-4-2 EN 61000-4-3 EN 61000-4-4 EN 61000-4-5 EN 61000-4-6 EN 61000-4-8 EN 61000-4-11
PU	1 Quantity

04.04.2017 – Subject to technical modification

Part-No. 722776

USA: LUTZE INC.

13330 South Ridge Drive · Charlotte, NC 28273, USA

Tel. +1 (704) 504-0222 · Fax +1 (704) 504-0223

www.lutze.com · info@lutze.com

United Kingdom: LÜTZE Ltd.

Unit 3, Sandy Hill Park

Sandy Way, Amington · GB-Tamworth, Staffs B77 4DU

Tel. +44 (0)1827 31333-0 · Fax +44 (0)1827 31333-2

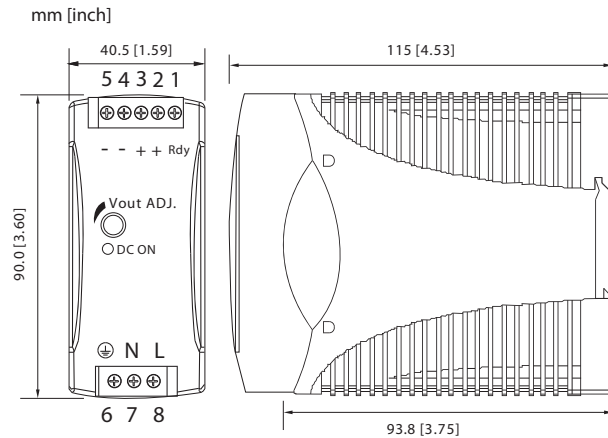
www.lutze.com · sales.gb@lutze.co.uk



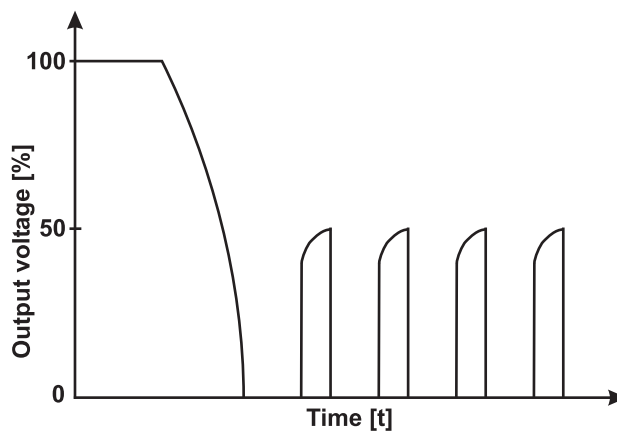
SYSTEMATIC TECHNOLOGY

Technical data sheet · Power supply

Dimensions



Short circuit characteristics



04.04.2017 – Subject to technical modification

Part-No. 722776

USA: LUTZE INC.

13330 South Ridge Drive · Charlotte, NC 28273, USA

Tel. +1 (704) 504-0222 · Fax +1 (704) 504-0223

www.lutze.com · info@lutze.com

United Kingdom: LÜTZE Ltd.

Unit 3, Sandy Hill Park

Sandy Way, Amington · GB-Tamworth, Staffs B77 4DU

Tel. +44 (0)1827 31333-0 · Fax +44 (0)1827 31333-2

www.lutze.com · sales.gb@lutze.co.uk



SYSTEMATIC TECHNOLOGY