

regulated, 480 W



Identification	Type	DRA480-24A
	Part-No.	722782

Description	Primary switchmode power supply, PFC, Single-phase Input: wide-range input AC 90–264 V, DC 120–370 V Output: 24 V
--------------------	---

25.08.2017 – Subject to technical modification

Part-No. 722782

USA: LUTZE INC.

13330 South Ridge Drive · Charlotte, NC 28273, USA
Tel. +1 (704) 504-0222 · Fax +1 (704) 504-0223
www.lutze.com · info@lutze.com

United Kingdom: LÜTZE Ltd.

Unit 3, Sandy Hill Park
Sandy Way, Amington · GB-Tamworth, Staffs B77 4DU
Tel. +44 (0)1827 31333-0 · Fax +44 (0)1827 31333-2
www.lutze.com · sales.gb@lutze.co.uk



SYSTEMATIC TECHNOLOGY

Technical data sheet · Power supply

Input

Number of phases	1
Rated voltage U_N	AC 115 / 230 V (auto select)
Operation voltage range	AC 90–264 V / DC 120–370 V
Line frequency	47 – 63 Hz
Rated current I_N	4.8 A @ AC 115 V / 2.45 A @ AC 230 V
Inrush current	25 A @ AC 115 V / 50 A @ AC 230 V
Internal fuse	T10 A/AC 250 V
External fuse	Mini-circuit breaker: B 16 A
Power Factor Correction P.F.C.	0.99

Output

Rated voltage U_N	DC 24.00 V
Rated current I_N	20.00 A
Heat dissipation	63 A @ AC 230 V
Setting range $U_{out\ min.}/U_{out\ max.}$	22.5/28.5 V
Accuracy	±1 %
Load regulation	Single ±0.5 %, Parallel ±5 %
Line regulation	±0.5 %
Rise time	1 s
Temperature coefficient	±0.03 % / °C
Ripple and Noise	100 mV
Hold up time	min. 30 ms
Status indication DC ON LED green	≥17.6–19.4 V
Status indication DC LOW LED red	≤17.6–19.4 V
Parallel / redundant mode	max. 3 units at 90% load current, manual switch S/P
Efficiency	89 %
Over voltage protection	125–137 %
Rated over load protection	120–140 %
Short circuit	Current limit

Monitoring

DC ON Control (Rdy)	N/O contact
Switching voltage	DC 60 V
Switching current	max. 300 mA
Isolation voltage	DC 500 V

General

Switching frequency	approx. 80 kHz
Insulation voltage input / output	DC 4.2 kV
Insulation voltage input / ground	DC 2.1 kV
Insulation voltage output / ground	DC 700 V

25.08.2017 – Subject to technical modification

Part-No. 722782

USA: LUTZE INC.

13330 South Ridge Drive · Charlotte, NC 28273, USA

Tel. +1 (704) 504-0222 · Fax +1 (704) 504-0223

www.lutze.com · info@lutze.com

United Kingdom: LÜTZE Ltd.

Unit 3, Sandy Hill Park

Sandy Way, Amington · GB-Tamworth, Staffs B77 4DU

Tel. +44 (0)1827 31333-0 · Fax +44 (0)1827 31333-2

www.lutze.com · sales.gb@lutze.co.uk

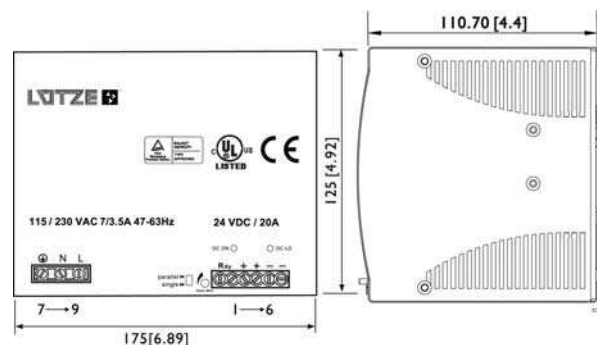


SYSTEMATIC TECHNOLOGY

Technical data sheet · Power supply

Insulation resistance at DC 500 V	100 MΩ
Derating	Capacity: -4 %/°C starting at +61 °C
Operation temperature range	-25 °C ... +71 °C (Derating)
Storage temperature range	-25 °C ... +85 °C
MTBF	403000 h
Relative air humidity	20 – 90 % RH, not condensing
Cooling	Air convection, 25 mm clearance all-round
Housing material	Metal
Mounting	DIN rail mountable TS35 (EN 60715)
Application height	2000 m
Installation position	vertical
Protection class	IP20
Protection class	I
Over voltage category	II
Degree of pollution	2
Weight	1.920 kg/piece
Connection device	Screw terminal 0.20 mm ² – 4.0 mm ² max. 0.62 Nm
Dimensions (w × h × d)	175.0 × 125.0 × 116.0 mm
Approvals	UL 508 listed UL 60950-1 EN 60950-1 EN 61000-6-3 EN 55022 Class B EN 61000-3-2 EN 61000-3-3 EN 61000-6-2 EN 55024
PU	1 piece

Dimensions



25.08.2017 – Subject to technical modification

Part-No. 722782

USA: LUTZE INC.

13330 South Ridge Drive • Charlotte, NC 28273, USA
Tel. +1 (704) 504-0222 • Fax +1 (704) 504-0223
www.lutze.com • info@lutze.com

United Kingdom: LÜTZE Ltd.

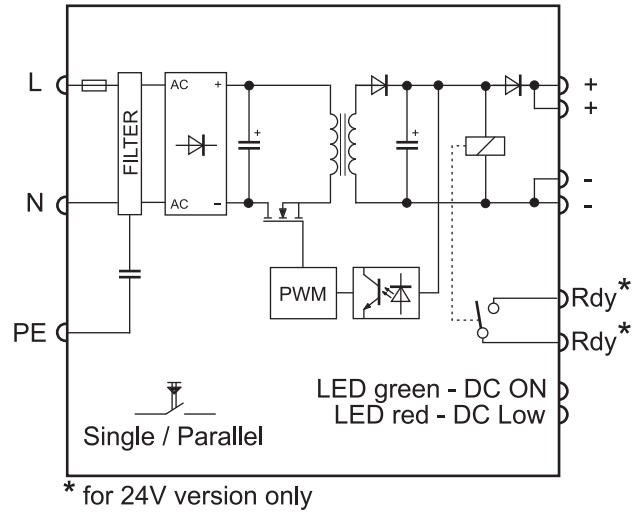
Unit 3, Sandy Hill Park
Sandy Way, Amington • GB-Tamworth, Staffs B77 4DU
Tel. +44 (0)1827 31333-0 • Fax +44 (0)1827 31333-2
www.lutze.com • sales.gb@lutze.co.uk



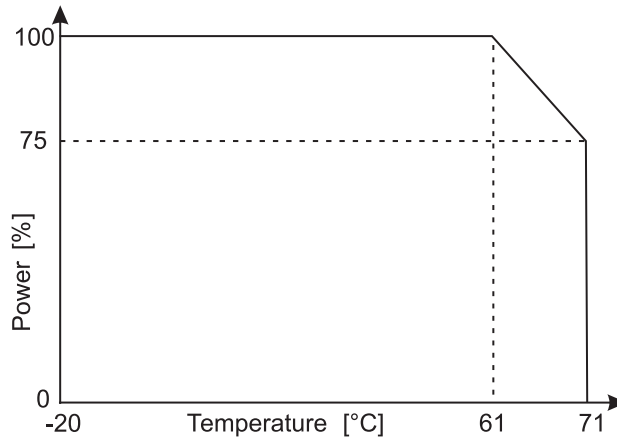
SYSTEMATIC TECHNOLOGY

Technical data sheet · Power supply

PIN assignment



Derating



25.08.2017 – Subject to technical modification

Part-No. 722782

USA: LUTZE INC.

13330 South Ridge Drive · Charlotte, NC 28273, USA

Tel. +1 (704) 504-0222 · Fax +1 (704) 504-0223

www.lutze.com · info@lutze.com

United Kingdom: LÜTZE Ltd.

Unit 3, Sandy Hill Park

Sandy Way, Amington · GB-Tamworth, Staffs B77 4DU

Tel. +44 (0)1827 31333-0 · Fax +44 (0)1827 31333-2

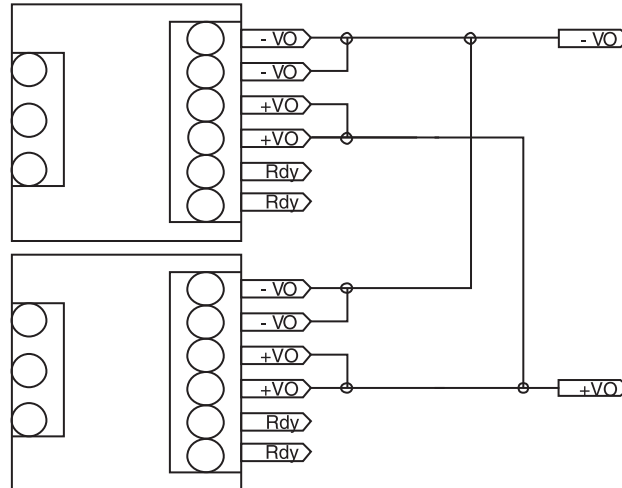
www.lutze.com · sales.gb@lutze.co.uk



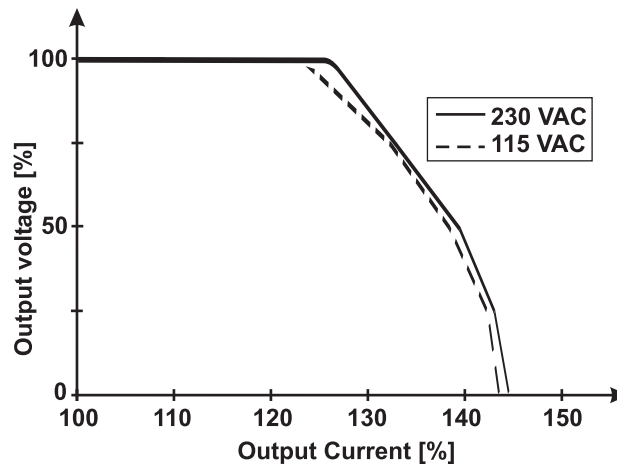
SYSTEMATIC TECHNOLOGY

Technical data sheet · Power supply

Parallel/redundant mode



Short circuit characteristics



25.08.2017 – Subject to technical modification

Part-No. 722782

USA: LUTZE INC.

13330 South Ridge Drive · Charlotte, NC 28273, USA
Tel. +1 (704) 504-0222 · Fax +1 (704) 504-0223
www.lutze.com · info@lutze.com

United Kingdom: LÜTZE Ltd.

Unit 3, Sandy Hill Park
Sandy Way, Amington · GB-Tamworth, Staffs B77 4DU
Tel. +44 (0)1827 31333-0 · Fax +44 (0)1827 31333-2
www.lutze.com · sales.gb@lutze.co.uk



SYSTEMATIC TECHNOLOGY