

One-phase switching power supply
regulated, 40 W



Identification	Type	CPSF1-50-24
	Part-No.	722788

Input

Nominal voltage	AC 115 / 230 V
Operation voltage range	AC 90–264 V / DC 120–370 V (DC 300 V, UL508)
Line frequency	47 Hz – 63 Hz
Rated current	$U_i = AC 100 V: 0.90 A / U_i = AC 240 V: 0.50 A$
Inrush current	<AC 15 A
Internal fuse	T2 A / AC 250 V
External fuse	Mini-circuit breaker: B 4 A, C 2 A
Power Factor Correction P.F.C.	>0.6

Load Side

Rated voltage output	DC 24 V
Rated current output	2.2 A
Max. output current	4 A @ 24 V
Accuracy	±1%
Load regulation	<5 %
Ripple & Noise	<50 mV pp
Hold up time	>20 ms (AC 120 V); >40 ms (AC 240 V)
Status indication DC ON LED green	yes
Status indication DC LOW LED red	No

09.02.2016 – Subject to technical modification

Part-No. 722788

USA: LUTZE INC.

13330 South Ridge Drive • Charlotte, NC 28273, USA
Tel. +1 (704) 504-0222 • Fax +1 (704) 504-0223
www.lutze.com • info@lutze.com

United Kingdom: LUTZE Ltd.

Unit 3, Sandy Hill Park
Sandy Way, Amington • GB-Tamworth, Staffs B77 4DU
Tel. +44 (0)1827 31333-0 • Fax +44 (0)1827 31333-2
www.lutze.com • sales.gb@lutze.co.uk



SYSTEMATIC TECHNOLOGY

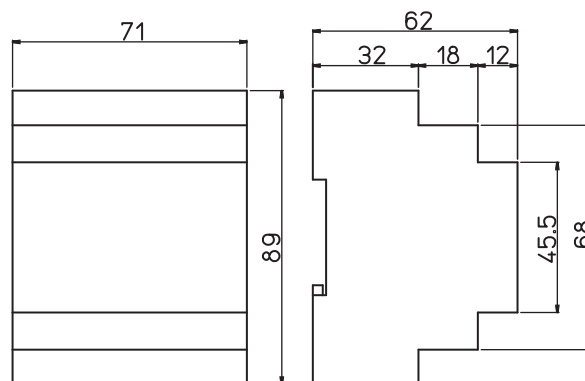
Technical data sheet · Power supply

Parallel/redundant operation	max. 2 devices / via external diodes
Efficiency	>85 % (AC 120 V); > 88 % (AC 240 V)
Rated over load protection	yes
Over voltage protection	yes
Short circuit characteristics	Hiccup-mode

General

Switching frequency	approx. 110 kHz
Insulation voltage input/output	AC 3.0 kV _{eff}
Insulation voltage input / ground	class 2, without PE
Insulation voltage output / ground	class 2, without PE
Derating	>45°C: -0.8 W / °C
Storage temperature range	-25 °C – 85 °C
M.T.B.F.	750000 h to SN29500 / 250000 h to MIL Standard HDBK 217F
Relative humidity	20–90% RH, non-condensing
Dimensions (w × h × d)	71.0 × 89.0 × 62.0 mm
Cooling	Natural air cooling, 10 mm distance right/left, 20 mm distance above/below
Installation position	vertical
Housing material	Noryl UL 94-0
Protection class	IP 20 (IEC529, EN60529)
Field installation	rail TS 35 (EN 50022)
IP rating	II (SELV, PELV)
Overvoltage category	II
Pollution degree	2
Weight (kg/piece)	0.200
Termination	Screw terminal: 0.2–2.5 mm ² , max. 0.56 Nm
Approvals	UL, cUL: UL 508, IEC 950, EN 60950, UL 60950 CE: EN 61000-4-2/3/4/5/6/11, EN 61000-6-2, EN 601000-6-4, EN 50178, EN 61558, EN 61000-3-2, EN 50081-1, EN 50082-2, EN 55022 Class B, EN 55011B

Dimensions



09.02.2016 – Subject to technical modification

Part-No. 722788

USA: LUTZE INC.

13330 South Ridge Drive • Charlotte, NC 28273, USA
Tel. +1 (704) 504-0222 • Fax +1 (704) 504-0223
www.lutze.com • info@lutze.com

United Kingdom: LUTZE Ltd.

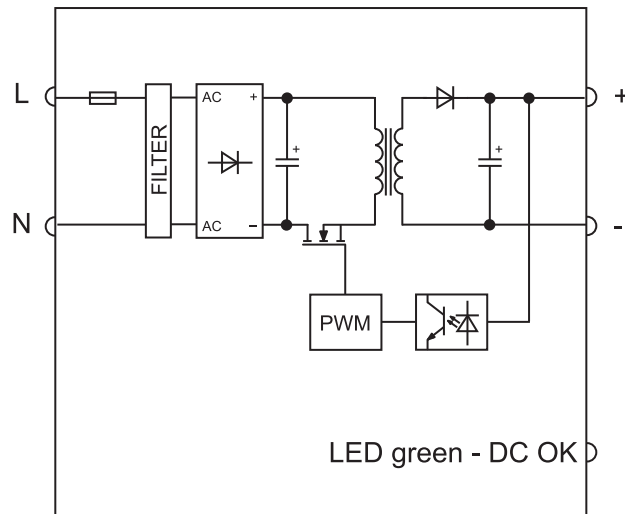
Unit 3, Sandy Hill Park
Sandy Way, Amington • GB-Tamworth, Staffs B77 4DU
Tel. +44 (0)1827 31333-0 • Fax +44 (0)1827 31333-2
www.lutze.com • sales.gb@lutze.co.uk



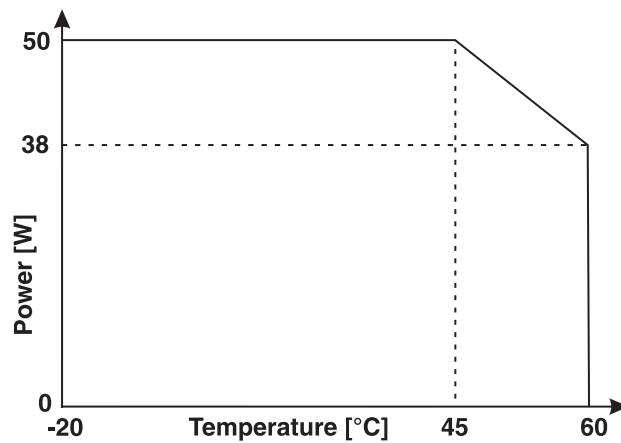
SYSTEMATIC TECHNOLOGY

Technical data sheet · Power supply

PIN assignment



Derating



09.02.2016 – Subject to technical modification

Part-No. 722788

USA: LUTZE INC.

13330 South Ridge Drive · Charlotte, NC 28273, USA
Tel. +1 (704) 504-0222 · Fax +1 (704) 504-0223
www.lutze.com · info@lutze.com

United Kingdom: LUTZE Ltd.

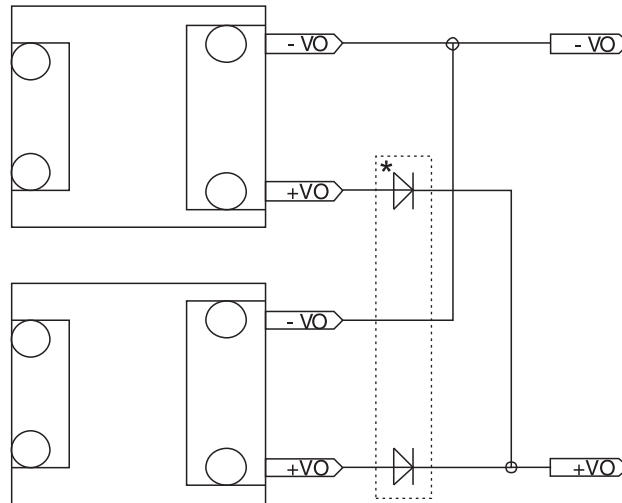
Unit 3, Sandy Hill Park
Sandy Way, Amington · GB-Tamworth, Staffs B77 4DU
Tel. +44 (0)1827 31333-0 · Fax +44 (0)1827 31333-2
www.lutze.com · sales.gb@lutze.co.uk



SYSTEMATIC TECHNOLOGY

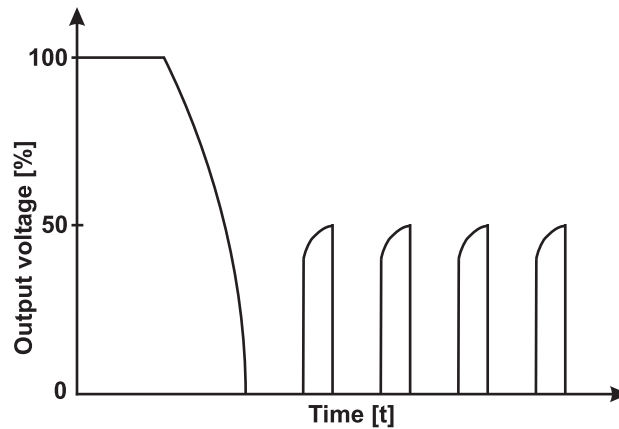
Technical data sheet · Power supply

Redundant operation



* Redundant Module 722987

Short circuit characteristics



09.02.2016 – Subject to technical modification

Part-No. 722788

USA: LUTZE INC.

13330 South Ridge Drive · Charlotte, NC 28273, USA
Tel. +1 (704) 504-0222 · Fax +1 (704) 504-0223
www.lutze.com · info@lutze.com

United Kingdom: LUTZE Ltd.

Unit 3, Sandy Hill Park
Sandy Way, Amington · GB-Tamworth, Staffs B77 4DU
Tel. +44 (0)1827 31333-0 · Fax +44 (0)1827 31333-2
www.lutze.com · sales.gb@lutze.co.uk