

One-phase switching power supply
regulated, 120 Watts, IP 65



| | | |
|-----------------------|----------|--------------|
| Identification | Type | CPS65-120-24 |
| | Part-No. | 722794 |

| | |
|--------------------------------|---|
| Input | |
| Nominal voltage | AC 120 V / 230 V |
| Operation voltage range | AC 90–264 V / DC 110–300 V |
| Line frequency | 47 Hz – 63 Hz |
| Rated current | $U_i = AC 120 V: 1.8 A / U_i = AC 240 V: 1.0 A$ |
| Inrush current | <AC 20 A |
| Internal fuse | T3, 15 A / AC 250 V |
| External fuse | Mini-circuit breaker: B 6 A, C 4 A |
| Power Factor Correction P.F.C. | >0.7 |

| | |
|-----------------------------------|---------------------------------------|
| Load Side | |
| Rated voltage output | DC 24 V |
| Rated current output | 5 A |
| Max. output current | 8 A (AC 120 V), 10 A (AC 230 V) |
| Low power loss | 18.6 W (AC 120 V); 12.6 W (AC 240 V) |
| Voltage trim range | DC 23–27.5 V |
| Load regulation | <1 % |
| Ripple & Noise | <80 mV (AC 120 V), < 50 mV (AC 230 V) |
| Hold up time | >20 ms (AC 230 V) |
| Status indication DC ON LED green | yes |

14.08.2014 – Subject to technical modification

Part-No. 722794

USA: LUTZE INC.

13330 South Ridge Drive • Charlotte, NC 28273, USA
Tel. +1 (704) 504-0222 • Fax +1 (704) 504-0223
www.lutze.com • info@lutze.com

United Kingdom: LÜTZE Ltd.

Unit 3, Sandy Hill Park
Sandy Way, Amington • GB-Tamworth, Staffs B77 4DU
Tel. +44 (0)1827 31333-0 • Fax +44 (0)1827 31333-2
www.lutze.com • sales.gb@lutze.co.uk

Technical data sheet - Power supply

| | |
|----------------------------------|--------------------------------------|
| Status indication DC LOW LED red | No |
| Parallel/redundant operation | max. 2 devices / via external diodes |
| Efficiency | >86 % (AC 120 V); > 90 % (AC 240 V) |
| Rated over load protection | yes |
| Over voltage protection | yes |
| Short circuit characteristics | Hiccup-mode |

General

| | |
|------------------------------------|--|
| Switching frequency | approx. 70 – 110 kHz |
| Insulation voltage input/output | 3.0 kV _{eff} |
| Insulation voltage input / ground | AC 1.5 kV _{eff} |
| Insulation voltage output / ground | AC 0.5 kV _{eff} |
| Operation temperature range | -20 °C – 60 °C |
| Storage temperature range | -25 °C – 85 °C |
| M.T.B.F. | 750000 h to SN29500 / 250000 h to MIL Standard HDBK 217F |
| Relative humidity | 20–90% RH, non-condensing |
| Dimensions (w × h × d) | 190.0 × 80.0 × 120.0 mm |
| Cooling | Natural air cooling, 10 mm distance right/left, 50 mm distance above/below |
| Installation position | vertical |
| Housing material | Noryl UL 94-0 |
| Protection class | IP 65 (IEC529, EN60529) |
| Field installation | rail TS 35 (EN 50022) |
| IP rating | I (SELV, PELV) |
| Overvoltage category | II |
| Pollution degree | 2 |
| Weight (kg/piece) | 1.300 |
| Termination | Screw terminal: 0.2–2.5 mm ² - pluggable,max. 0.56 Nm |
| Approvals | UL, cUL: UL 508, IEC 950, EN 60950 CE: EN 61000-4-2/3/4/5/6/11, EN 61000-6-2, EN 61000-6-4, EN 50178, EN 61558, EN 50081-1, EN 50082-2, EN 61000-3-2 |

Monitoring

| | |
|---------------------|---------------------|
| DC ON Control (Rdy) | Normally open |
| Switching voltage | AC 300 V / DC 150 V |
| Switching current | AC/DC 1 A |
| Switching capacity | 300 VA / 30 W |
| Insulation voltage | AC 500 V |

14.08.2014 – Subject to technical modification

Part-No. 722794

USA: LUTZE INC.

13330 South Ridge Drive • Charlotte, NC 28273, USA
Tel. +1 (704) 504-0222 • Fax +1 (704) 504-0223
www.lutze.com • info@lutze.com

United Kingdom: LÜTZE Ltd.

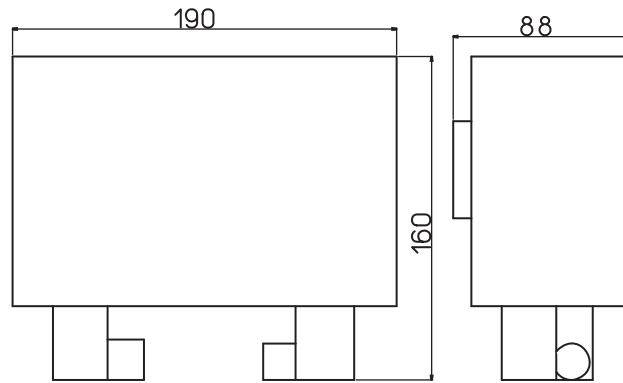
Unit 3, Sandy Hill Park
Sandy Way, Amington • GB-Tamworth, Staffs B77 4DU
Tel. +44 (0)1827 31333-0 • Fax +44 (0)1827 31333-2
www.lutze.com • sales.gb@lutze.co.uk



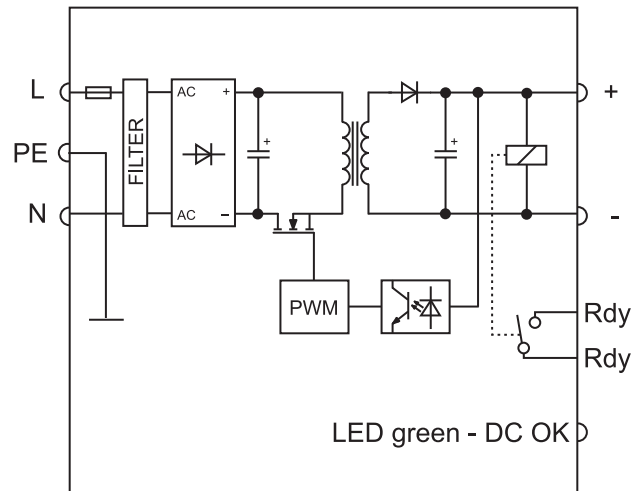
SYSTEMATIC TECHNOLOGY

Technical data sheet - Power supply

Dimensions



PIN assignment



14.08.2014 – Subject to technical modification

Part-No. 722794

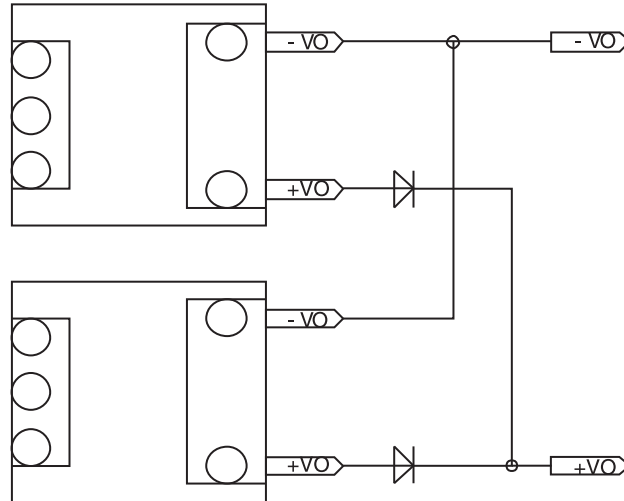
USA: LUTZE INC.

13330 South Ridge Drive • Charlotte, NC 28273, USA
Tel. +1 (704) 504-0222 • Fax +1 (704) 504-0223
www.lutze.com • info@lutze.com

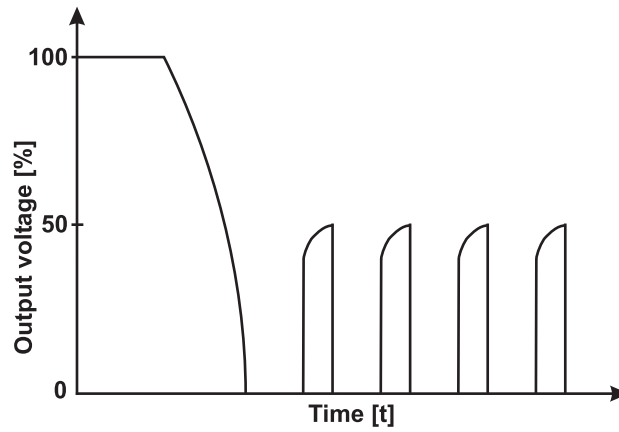
United Kingdom: LÜTZE Ltd.

Unit 3, Sandy Hill Park
Sandy Way, Amington • GB-Tamworth, Staffs B77 4DU
Tel. +44 (0)1827 31333-0 • Fax +44 (0)1827 31333-2
www.lutze.com • sales.gb@lutze.co.uk

Redundant operation



Short circuit characteristics



14.08.2014 – Subject to technical modification

Part-No. 722794

USA: LUTZE INC.

13330 South Ridge Drive • Charlotte, NC 28273, USA
Tel. +1 (704) 504-0222 • Fax +1 (704) 504-0223
www.lutze.com • info@lutze.com

United Kingdom: LÜTZE Ltd.

Unit 3, Sandy Hill Park
Sandy Way, Amington • GB-Tamworth, Staffs B77 4DU
Tel. +44 (0)1827 31333-0 • Fax +44 (0)1827 31333-2
www.lutze.com • sales.gb@lutze.co.uk



SYSTEMATIC TECHNOLOGY