

## Technical data sheet · Power supply



3-phase switching power supply  
regulated, 240 W, 3-phase

<b>Identification</b>	Type	CPSB3-240-24
	Part-No.	722799
<b>Input</b>		
Nominal voltage	3× AC 400–500 V	
Operation voltage range	3× AC 340–550 V; 3× DC 507–770 V	
Line frequency	47 Hz – 63 Hz	
Rated current	$U_i = AC 400 V: 1.3 A / U_i = AC 500 V: 1.1 A$	
Inrush current	<AC 30 A	
External fuse	Automatic: 3 × B 10 A, C 6 A	
Power Factor Correction P.F.C.	>0.6	
<b>Load Side</b>		
Rated voltage output	DC 24 V	
Rated current output	10 A @ 45 °C (UL508)	
Max. output current	14 A, @ 24 V	
Short-circuit current	20 A	
Low power loss	27 W (AC 380 V)	
Voltage trim range	24/28 V	
Load regulation	<1 %	
Ripple & Noise	50 mV pp	
Hold up time	>11 ms (AC 500 V)	
Status indication DC ON LED green	≥21.6 V	

26.11.2015 – Subject to technical modification

Part-No. 722799

USA: LUTZE INC.

13330 South Ridge Drive • Charlotte, NC 28273, USA  
Tel. +1 (704) 504-0222 • Fax +1 (704) 504-0223  
www.lutze.com • info@lutze.com

United Kingdom: LUTZE Ltd.

Unit 3, Sandy Hill Park  
Sandy Way, Amington • GB-Tamworth, Staffs B77 4DU  
Tel. +44 (0)1827 31333-0 • Fax +44 (0)1827 31333-2  
www.lutze.com • sales.gb@lutze.co.uk

## Technical data sheet - Power supply

---

Status indication DC LOW LED red	≤21.6 V
Parallel/redundant operation	max. 2 devices / via external diodes
Efficiency	>90 % (AC 400 V)
Rated over load protection	yes
Over voltage protection	yes
Short circuit characteristics	Hiccup-mode

---

### General

---

Insulation voltage input/output	AC 3.0 kV <sub>eff</sub>
Insulation voltage input / ground	AC 2.0 kV <sub>eff</sub>
Insulation voltage output / ground	AC 0.5 kV <sub>eff</sub>
Operation temperature range	-20 °C – 60 °C (derating)
Derating	>50°C: -4.8 W / °C
Storage temperature range	-25 °C – 85 °C
M.T.B.F.	>500000 h to SN29500 / >150000 h to MIL standard HDBK 217F
Relative humidity	20–90% RH, non-condensing
Dimensions (w × h × d)	90.0 × 130.0 × 104.5 mm
Cooling	Natural air cooling, 10 mm distance right/left, 50 mm distance above/below
Installation position	vertical
Housing material	Aluminium
Protection class	IP 20 (IEC529, EN60529)
Field installation	rail TS 35 (EN 50022)
IP rating	I (SELV, PELV)
Overvoltage category	II
Pollution degree	2
Weight (kg/piece)	0.700
Termination	Screw terminal: 0.2–4.0 mm <sup>2</sup> , max. 0.62 Nm
Approvals	UL, cUL: UL 508, IEC 950, EN 60950 CE: EN 61000-4-2/3/4/5/6/11, EN 61000-6-2, EN 61000-6-4, EN 50178, EN 61558, EN 50081-1, EN 50082-2, EN 55022 Class B

---

### Monitoring

---

DC ON Control (Rdy)	Changeover contact
Switching voltage	AC 300 V / DC 150 V
Switching current	AC/DC 1 A
Switching capacity	300 VA / 30 W
Insulation voltage	AC 500 V

26.11.2015 – Subject to technical modification

Part-No. 722799

USA: LUTZE INC.

13330 South Ridge Drive • Charlotte, NC 28273, USA  
Tel. +1 (704) 504-0222 • Fax +1 (704) 504-0223  
www.lutze.com • info@lutze.com

United Kingdom: LUTZE Ltd.

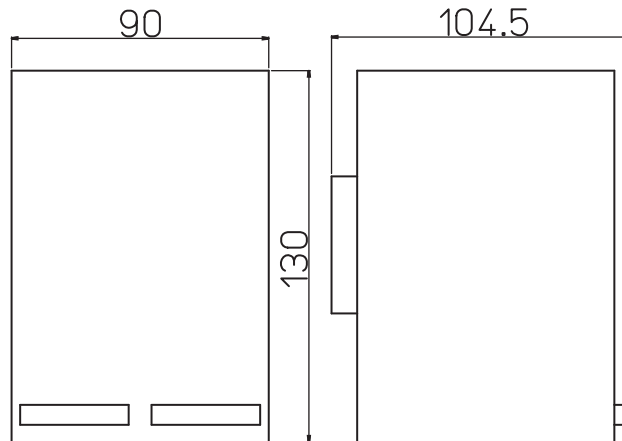
Unit 3, Sandy Hill Park  
Sandy Way, Amington • GB-Tamworth, Staffs B77 4DU  
Tel. +44 (0)1827 31333-0 • Fax +44 (0)1827 31333-2  
www.lutze.com • sales.gb@lutze.co.uk



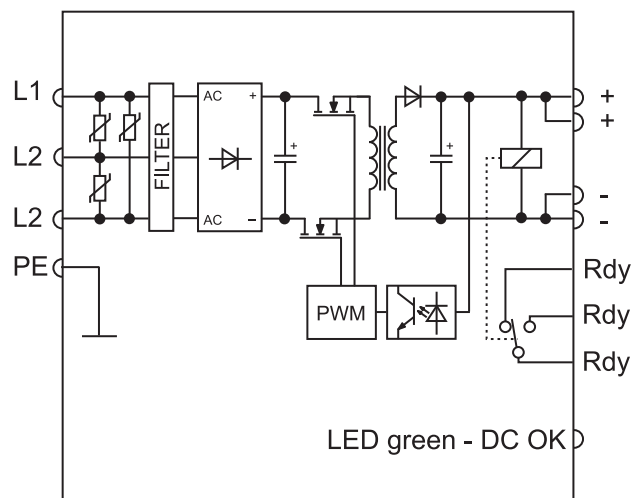
SYSTEMATIC TECHNOLOGY

# Technical data sheet · Power supply

## Dimensions



## PIN assignment



26.11.2015 – Subject to technical modification

Part-No. 722799

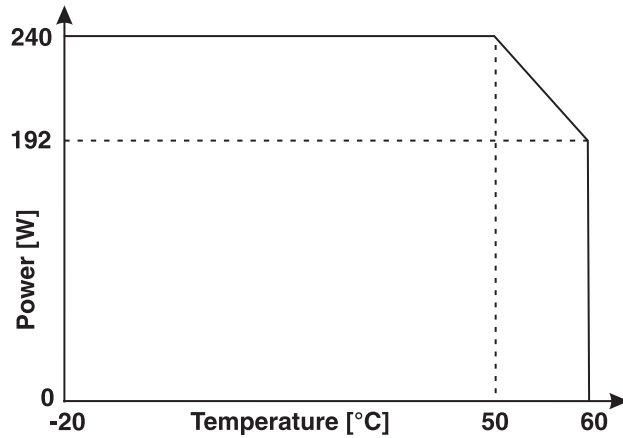
USA: LUTZE INC.

13330 South Ridge Drive · Charlotte, NC 28273, USA  
Tel. +1 (704) 504-0222 · Fax +1 (704) 504-0223  
www.lutze.com · info@lutze.com

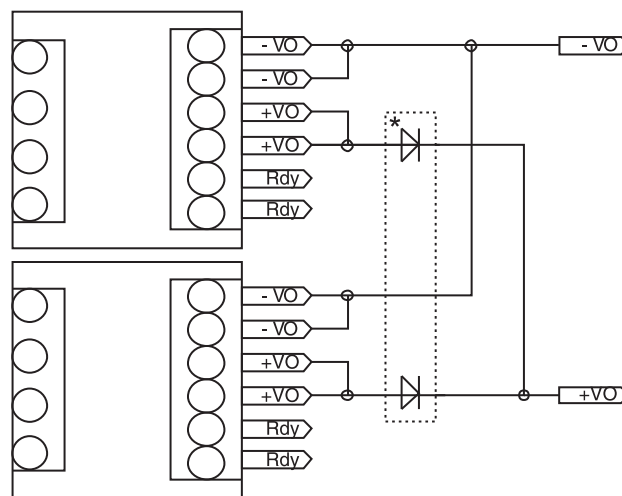
United Kingdom: LUTZE Ltd.

Unit 3, Sandy Hill Park  
Sandy Way, Amington · GB-Tamworth, Staffs B77 4DU  
Tel. +44 (0)1827 31333-0 · Fax +44 (0)1827 31333-2  
www.lutze.com · sales.gb@lutze.co.uk

**Derating**



**Redundant operation**



\* Redundant Module 722987

26.11.2015 – Subject to technical modification

Part-No. 722799

USA: LUTZE INC.

13330 South Ridge Drive · Charlotte, NC 28273, USA

Tel. +1 (704) 504-0222 · Fax +1 (704) 504-0223

www.lutze.com · info@lutze.com

United Kingdom: LUTZE Ltd.

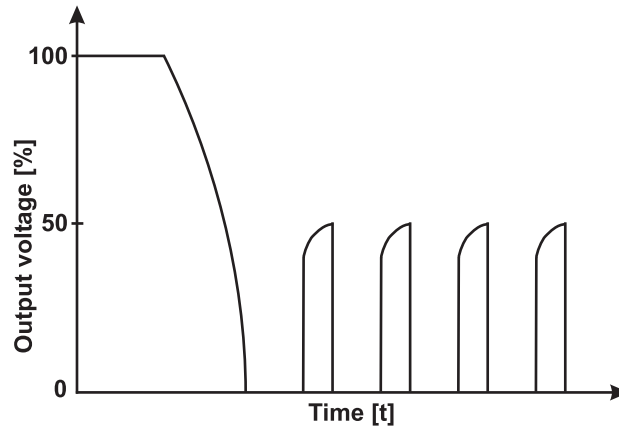
Unit 3, Sandy Hill Park

Sandy Way, Amington · GB-Tamworth, Staffs B77 4DU

Tel. +44 (0)1827 31333-0 · Fax +44 (0)1827 31333-2

www.lutze.com · sales.gb@lutze.co.uk

Short circuit characteristics



26.11.2015 – Subject to technical modification

Part-No. 722799

USA: LUTZE INC.

13330 South Ridge Drive · Charlotte, NC 28273, USA

Tel. +1 (704) 504-0222 · Fax +1 (704) 504-0223

www.lutze.com · info@lutze.com

United Kingdom: LUTZE Ltd.

Unit 3, Sandy Hill Park

Sandy Way, Amington · GB-Tamworth, Staffs B77 4DU

Tel. +44 (0)1827 31333-0 · Fax +44 (0)1827 31333-2

www.lutze.com · sales.gb@lutze.co.uk



SYSTEMATIC TECHNOLOGY