

regulated, 240 W, 3-phase



Identification

Type
Part-No.

WRA240-24
722804

Description

Primary switchmode power supply, PFC, 3-phase
Input: wide-range input AC 340–576 V, DC 480–820 V
Output: 24 V, adjustable

25.08.2017 – Subject to technical modification

Part-No. 722804

USA: LUTZE INC.

13330 South Ridge Drive · Charlotte, NC 28273, USA
Tel. +1 (704) 504-0222 · Fax +1 (704) 504-0223
www.lutze.com · info@lutze.com

United Kingdom: LÜTZE Ltd.

Unit 3, Sandy Hill Park
Sandy Way, Amington · GB-Tamworth, Staffs B77 4DU
Tel. +44 (0)1827 31333-0 · Fax +44 (0)1827 31333-2
www.lutze.com · sales.gb@lutze.co.uk



SYSTEMATIC TECHNOLOGY

Technical data sheet · Power supply

Input

Number of phases	3
Rated voltage U_N	3 × AC 340–500 V
Operation voltage range	3 × AC 340–575 V / 3 × DC 480–820 V
Line frequency	47 – 63 Hz
Rated current I_N	0.85 A @ AC 380 V / 0.7 A @ AC 500 V
Inrush current	20 A
Internal fuse	3 × T2, 0 A/AC 600 V
External fuse	Mini-circuit breaker: 3 × B 6 A
Power Factor Correction P.F.C.	0.6

Output

Rated voltage U_N	DC 24.00 V
Rated current I_N	10.00 A
Heat dissipation	30 A @ AC 380 V
Setting range $U_{out\ min.}/U_{out\ max.}$	22.5/28.5 V
Accuracy	1 %
Load regulation	Single ±1 %, Parallel ±5 %
Line regulation	±1 %
Rise time	1 s
Temperature coefficient	±0.03 % / °C
Ripple and Noise	100 mV
Hold up time	min. 20 ms
Status indication DC ON LED green	≥17.6–19.4 V
Status indication DC LOW LED red	≤17.6–19.4 V
Parallel / redundant mode	max. 2 units at 90% load current, manual switch S/P
Efficiency	90 %
Over voltage protection	125–137 %
Rated over load protection	Temperature: Deactivation at 100–110°C and automatic activation after cooling off
Short circuit	Hiccup Mode

Monitoring

DC ON Control (Rdy)	N/O contact
Switching voltage	DC 60 V
Switching current	max. 300 mA
Isolation voltage	DC 500 V

General

Switching frequency	approx. 25 kHz
Insulation voltage input / output	DC 4.2 kV
Insulation voltage input / ground	DC 2.1 kV
Insulation voltage output / ground	DC 700 V

25.08.2017 – Subject to technical modification

Part-No. 722804

USA: LUTZE INC.

13330 South Ridge Drive · Charlotte, NC 28273, USA

Tel. +1 (704) 504-0222 · Fax +1 (704) 504-0223

www.lutze.com · info@lutze.com

United Kingdom: LÜTZE Ltd.

Unit 3, Sandy Hill Park

Sandy Way, Amington · GB-Tamworth, Staffs B77 4DU

Tel. +44 (0)1827 31333-0 · Fax +44 (0)1827 31333-2

www.lutze.com · sales.gb@lutze.co.uk



SYSTEMATIC TECHNOLOGY

Technical data sheet - Power supply

Insulation resistance at DC 500 V	100 M Ω
Derating	Capacity: -2.5 %/°C starting at +61 °C
Operation temperature range	-25 °C ... +71 °C (Derating)
Storage temperature range	-25 °C ... +85 °C
MTBF	488000 h
Relative air humidity	20 – 90 % RH, not condensing
Cooling	Air convection, 25 mm clearance all-round
Housing material	Metal
Mounting	DIN rail mountable TS35 (EN 60715)
Application height	3000 m
Installation position	vertical
Protection class	IP20
Protection class	I
Over voltage category	II
Degree of pollution	2
Weight	1.100 kg/piece
Connection device	Screw terminal 0.20 mm ² – 4.0 mm ² max. 0.62 Nm
Dimensions (w × h × d)	89.0 × 123.6 × 117.5 mm
Approvals	UL 508 listed UL 60950-1 EN 60950-1 EN 61000-6-3 EN 55022 Class B EN 61000-3-2 EN 61000-3-3 EN 61000-6-2 EN 55024 Class I Division 2, Groups A, B, C, D
PU	1 piece

25.08.2017 – Subject to technical modification

Part-No. 722804

USA: LUTZE INC.

13330 South Ridge Drive • Charlotte, NC 28273, USA

Tel. +1 (704) 504-0222 • Fax +1 (704) 504-0223

www.lutze.com • info@lutze.com

United Kingdom: LÜTZE Ltd.

Unit 3, Sandy Hill Park

Sandy Way, Amington • GB-Tamworth, Staffs B77 4DU

Tel. +44 (0)1827 31333-0 • Fax +44 (0)1827 31333-2

www.lutze.com • sales.gb@lutze.co.uk

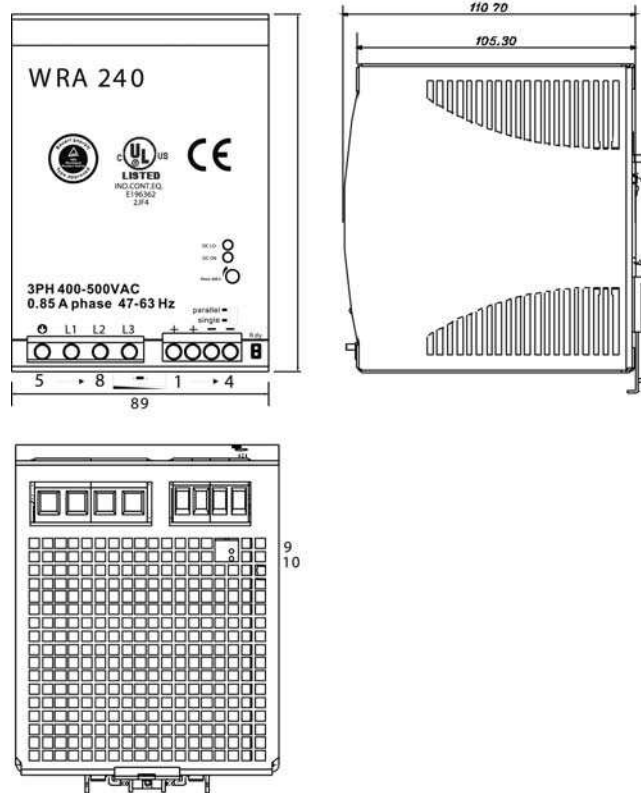


SYSTEMATIC TECHNOLOGY

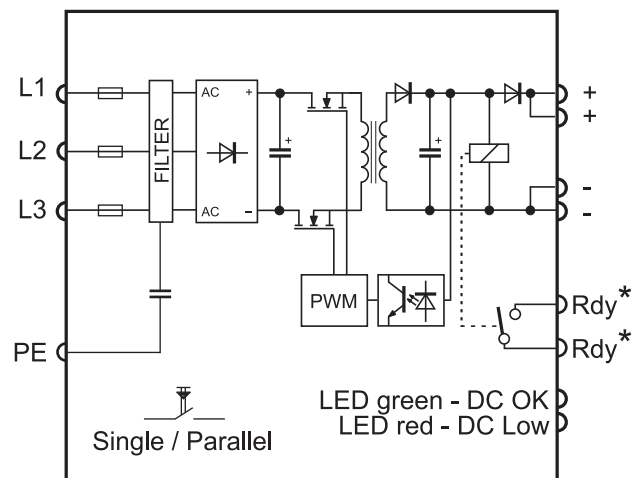
Technical data sheet · Power supply

Dimensions

mm [inch]



PIN assignment



* for 24V version only

25.08.2017 – Subject to technical modification

Part-No. 722804

USA: LUTZE INC.

13330 South Ridge Drive · Charlotte, NC 28273, USA
 Tel. +1 (704) 504-0222 · Fax +1 (704) 504-0223
 www.lutze.com · info@lutze.com

United Kingdom: LÜTZE Ltd.

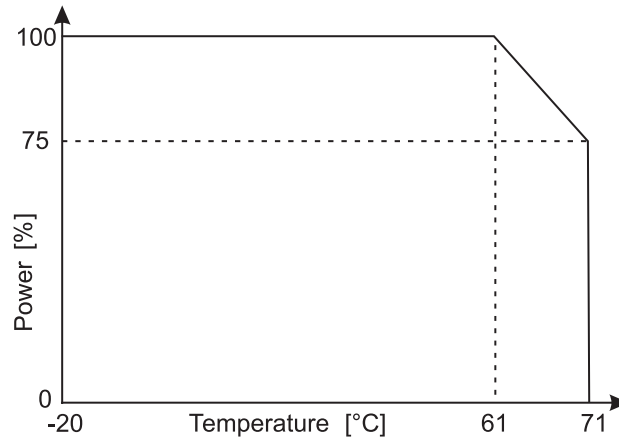
Unit 3, Sandy Hill Park
 Sandy Way, Amington · GB-Tamworth, Staffs B77 4DU
 Tel. +44 (0)1827 31333-0 · Fax +44 (0)1827 31333-2
 www.lutze.com · sales.gb@lutze.co.uk



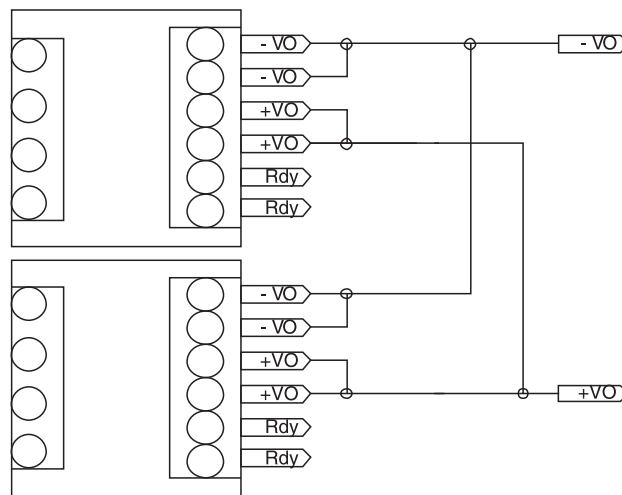
SYSTEMATIC TECHNOLOGY

Technical data sheet · Power supply

Derating



Parallel/redundant mode



25.08.2017 – Subject to technical modification

Part-No. 722804

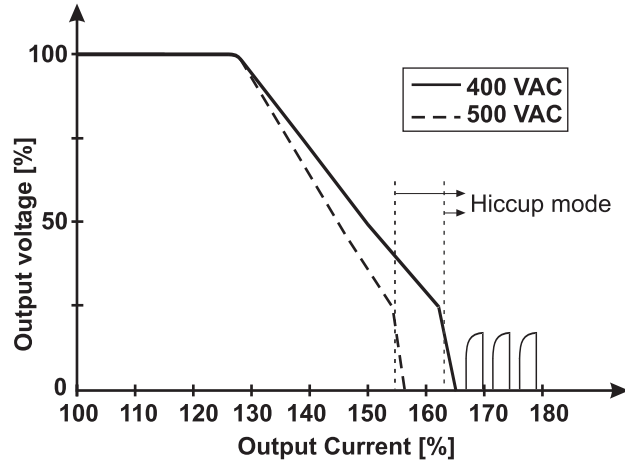
USA: LUTZE INC.

13330 South Ridge Drive · Charlotte, NC 28273, USA
Tel. +1 (704) 504-0222 · Fax +1 (704) 504-0223
www.lutze.com · info@lutze.com

United Kingdom: LÜTZE Ltd.

Unit 3, Sandy Hill Park
Sandy Way, Amington · GB-Tamworth, Staffs B77 4DU
Tel. +44 (0)1827 31333-0 · Fax +44 (0)1827 31333-2
www.lutze.com · sales.gb@lutze.co.uk

Short circuit characteristics



25.08.2017 – Subject to technical modification

Part-No. 722804

USA: LUTZE INC.

13330 South Ridge Drive · Charlotte, NC 28273, USA
Tel. +1 (704) 504-0222 · Fax +1 (704) 504-0223
www.lutze.com · info@lutze.com

United Kingdom: LÜTZE Ltd.

Unit 3, Sandy Hill Park
Sandy Way, Amington · GB-Tamworth, Staffs B77 4DU
Tel. +44 (0)1827 31333-0 · Fax +44 (0)1827 31333-2
www.lutze.com · sales.gb@lutze.co.uk