

3-phase switching power supply
regulated, 240 W, 3-phase



Identification	Type	WRA240-48
	Part-No.	722808

Input

Nominal voltage	3× AC 340–500 V
Operation voltage range	3× AC 340–575 V; 3× DC 480–820 V
Line frequency	47 Hz – 63 Hz
Rated current	$U_i = AC 380 V: 0.85 A / U_i = AC 500 V: 0.7 A$
Inrush current	20 A
Internal fuse	3×T2, 0 A / AC 600 V
External fuse	Automatic: 3 × B 6 A
Power Factor Correction P.F.C.	0.6

Load Side

Rated voltage output	DC 48 V
Rated current output	5 A
Low power loss	24 W (AC 380 V)
Voltage trim range	47/56 V
Accuracy	1 %
Line regulation	±1 %
Load regulation	Single ±1 %, Parallel ±5 %
Rise time	1 s
Temperature coefficient	±0.03 % / °C

02.04.2016 – Subject to technical modification

Part-No. 722808

USA: LUTZE INC.

13330 South Ridge Drive • Charlotte, NC 28273, USA
Tel. +1 (704) 504-0222 • Fax +1 (704) 504-0223
www.lutze.com • info@lutze.com

United Kingdom: LUTZE Ltd.

Unit 3, Sandy Hill Park
Sandy Way, Amington • GB-Tamworth, Staffs B77 4DU
Tel. +44 (0)1827 31333-0 • Fax +44 (0)1827 31333-2
www.lutze.com • sales.gb@lutze.co.uk



SYSTEMATIC TECHNOLOGY

Technical data sheet - Power supply

Ripple & Noise	100 mV
Hold up time	min. 20 ms
Status indication DC ON LED green	≥37–43 V
Status indication DC LOW LED red	≤37–43 V
Parallel/redundant operation	max 2 devices with 90 % load current each, switching with switch S/P
Efficiency	91 %
Rated over load protection	Temperature: Deactivation at 100–110°C and automatic activation after cooling off
Over voltage protection	125–142 %
Short circuit characteristics	Hiccup-mode

General

Switching frequency	approx. 25 kHz
Insulation voltage input/output	AC 3.0 kV _{eff}
Insulation voltage input / ground	AC 1.5 kV _{eff}
Insulation resistance at DC 500 V	100 MΩ
Operation temperature range	-25 °C – 71 °C (derating)
Derating	Capacity: -2.5% / °C starting at +61 °C
Storage temperature range	-25 °C – 85 °C
M.T.B.F.	519000 h
Relative humidity	20–90% RH, non-condensing
Dimensions (w × h × d)	89.0 × 123.6 × 117.5 mm
Cooling	Natural air cooling, 25 mm distance on all sides
Installation position	vertical
Housing material	Metal
Protection class	IP 20
Field installation	rail TS 35 (EN 50022)
Application height	3000 m
IP rating	I (SELV, PELV)
Overvoltage category	II
Pollution degree	2
Weight (kg/piece)	1.100
Termination	Screw terminal: 0.2–4.0 mm ² , max. 0.62 Nm
Approvals	UL: UL 508 listed, cUL: UL 60950-1 accepted, TÜV: EN 60950-1; CE: EN 61000-6-3 / EN 55022 Class B, EN 61000-3-2, EN 61000-3-3, EN 61000-6-2, EN 55024 Class I, Division 2, Groups A, B, C and D

02.04.2016 – Subject to technical modification

Part-No. 722808

USA: LUTZE INC.

13330 South Ridge Drive • Charlotte, NC 28273, USA
Tel. +1 (704) 504-0222 • Fax +1 (704) 504-0223
www.lutze.com • info@lutze.com

United Kingdom: LUTZE Ltd.

Unit 3, Sandy Hill Park
Sandy Way, Amington • GB-Tamworth, Staffs B77 4DU
Tel. +44 (0)1827 31333-0 • Fax +44 (0)1827 31333-2
www.lutze.com • sales.gb@lutze.co.uk

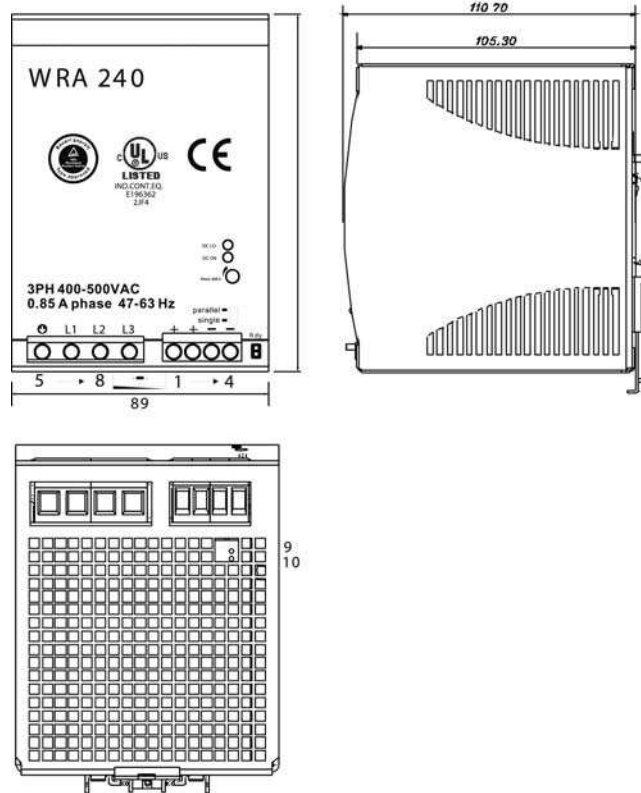


SYSTEMATIC TECHNOLOGY

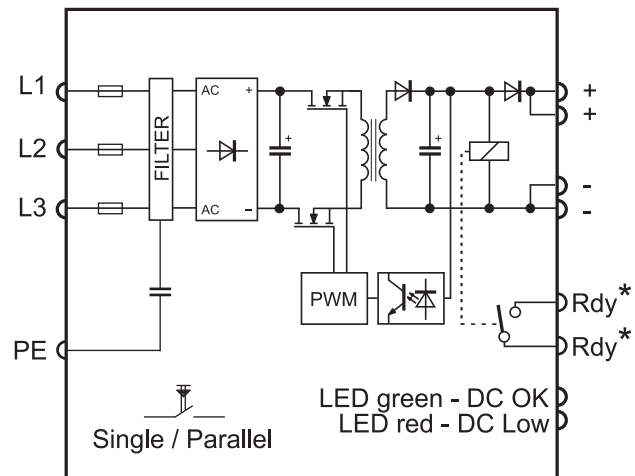
Technical data sheet · Power supply

Dimensions

mm [inch]



PIN assignment



* for 24V version only

02.04.2016 – Subject to technical modification

Part-No. 722808

USA: LUTZE INC.

13330 South Ridge Drive · Charlotte, NC 28273, USA
 Tel. +1 (704) 504-0222 · Fax +1 (704) 504-0223
 www.lutze.com · info@lutze.com

United Kingdom: LUTZE Ltd.

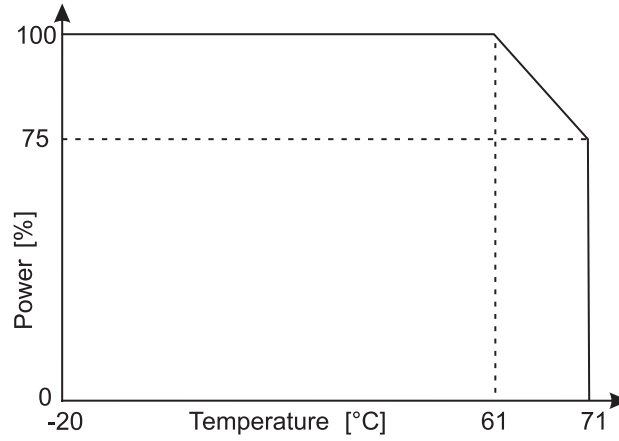
Unit 3, Sandy Hill Park
 Sandy Way, Amington · GB-Tamworth, Staffs B77 4DU
 Tel. +44 (0)1827 31333-0 · Fax +44 (0)1827 31333-2
 www.lutze.com · sales.gb@lutze.co.uk



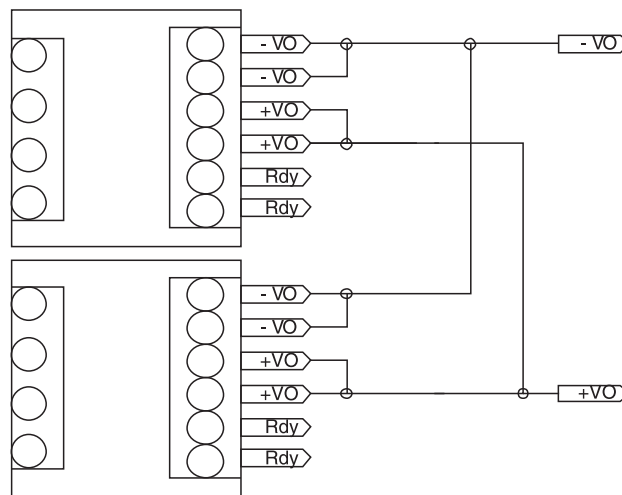
SYSTEMATIC TECHNOLOGY

Technical data sheet · Power supply

Derating



Parallel/redundant mode



02.04.2016 – Subject to technical modification

Part-No. 722808

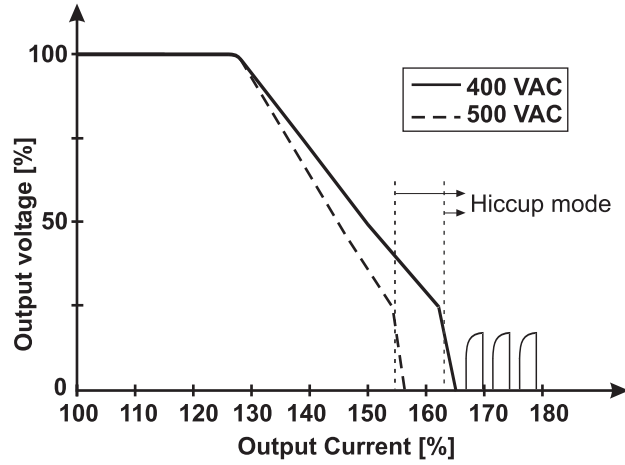
USA: LUTZE INC.

13330 South Ridge Drive · Charlotte, NC 28273, USA
Tel. +1 (704) 504-0222 · Fax +1 (704) 504-0223
www.lutze.com · info@lutze.com

United Kingdom: LUTZE Ltd.

Unit 3, Sandy Hill Park
Sandy Way, Amington · GB-Tamworth, Staffs B77 4DU
Tel. +44 (0)1827 31333-0 · Fax +44 (0)1827 31333-2
www.lutze.com · sales.gb@lutze.co.uk

Short circuit characteristics



02.04.2016 – Subject to technical modification

Part-No. 722808

USA: LUTZE INC.

13330 South Ridge Drive · Charlotte, NC 28273, USA
Tel. +1 (704) 504-0222 · Fax +1 (704) 504-0223
www.lutze.com · info@lutze.com

United Kingdom: LUTZE Ltd.

Unit 3, Sandy Hill Park
Sandy Way, Amington · GB-Tamworth, Staffs B77 4DU
Tel. +44 (0)1827 31333-0 · Fax +44 (0)1827 31333-2
www.lutze.com · sales.gb@lutze.co.uk



SYSTEMATIC TECHNOLOGY