



unregulated, 60–360 Watt

Identification	Type	NG 24/15-2973
	Part-No.	722973

Input

Input voltage	AC 115 / 230 / 400 V
Operation voltage range	AC 104–196 V / AC 207–224 V / AC 360–424 V
Line frequency	47 Hz–63 Hz
Nominal voltage range	+6 % to -10 %
Rated current	6.0 A / 3.2 A / 2.0 A
Rated power	360 W
Recommended back-up fuse	115 V: 10 A / 230 V: 6 A / 400 V: 4 A
Termination	Screw terminal with additional flat connector: 0.5–6.0mm ²

Load Side

Rated voltage output	DC 24 V
Rated current output	15 A
Nominal voltage	at open-circuit 30.2 V, at full load: 20.4 V
Status indication DC ON LED green	Yes
Parallel/redundant operation	with 90% load current
Efficiency	80 %
Rated over load protection	No
Output circuit	Varistor and capacitor
Termination	Screw terminal 0.5–10 mm ²

20.04.2013 – Subject to technical modification

Part-No. 722973

USA: LUTZE INC.

13330 South Ridge Drive · Charlotte, NC 28273, USA
 Tel. +1 (704) 504-0222 · Fax +1 (704) 504-0223
 www.lutze.com · info@lutze.com

United Kingdom: LÜTZE Ltd.

Unit 3, Sandy Hill Park
 Sandy Way, Amington · GB-Tamworth, Staffs B77 4DU
 Tel. +44 (0)1827 31333-0 · Fax +44 (0)1827 31333-2
 www.lutze.com · sales.gb@lutze.co.uk



SYSTEMATIC TECHNOLOGY

Technical data sheet - Power supply

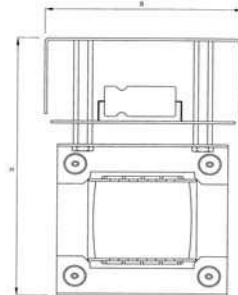
General

Insulation voltage input/output	4.0 kV _{eff}
Insulation class	T 40 / B
Insulation class	according to VDE B, UL/CSA: class 130
Operation temperature range	-25 °C – 80 °C
Storage temperature range	-40 °C – 80 °C
Relative humidity	80% occasional condensation possible
Dimensions (w × h × d)	151.0×200.0×145.0 mm
Cooling	Air convection
Installation position	Optional
Housing material	metal
Protection class	IP 00
Field installation	Screw termination: 0.5–4.0 mm ²
Assembly borehole	90 × 122 mm/M 6
Cu application weight	1.5 kg/piece
IP rating	I
Standards	Transformer compliant with IEC 61-558, Output limit values compliant with EN 61 131-2 EMC compliant with EN 50 081-1 and EN 50 082-2, Main connection compliant with EN 61 000-3-2
Weight (kg/piece)	9.000
Termination	Screw terminal
Approvals	cULus

Monitoring

Insulation voltage	4 kV
--------------------	------

Dimensions



20.04.2013 – Subject to technical modification

Part-No. 722973

USA: LUTZE INC.

13330 South Ridge Drive • Charlotte, NC 28273, USA

Tel. +1 (704) 504-0222 • Fax +1 (704) 504-0223

www.lutze.com • info@lutze.com

United Kingdom: LÜTZE Ltd.

Unit 3, Sandy Hill Park

Sandy Way, Amington • GB-Tamworth, Staffs B77 4DU

Tel. +44 (0)1827 31333-0 • Fax +44 (0)1827 31333-2

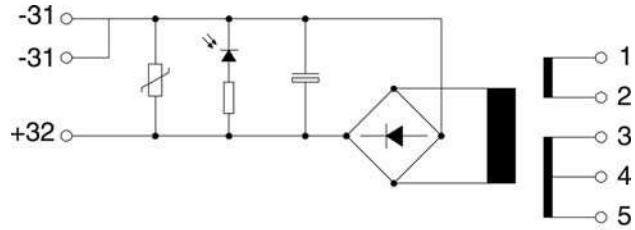
www.lutze.com • sales.gb@lutze.co.uk



SYSTEMATIC TECHNOLOGY

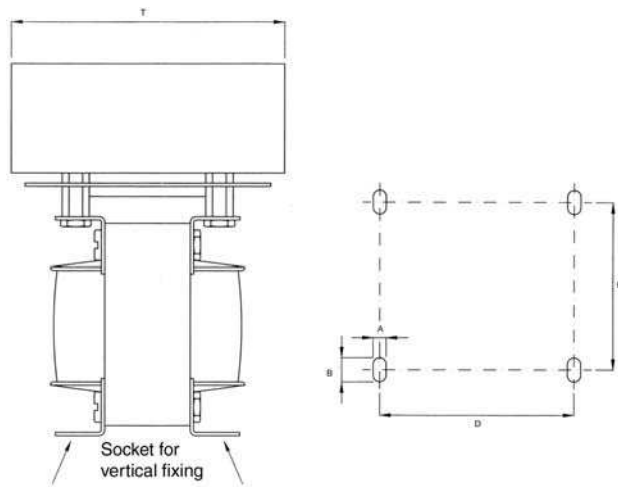
Technical data sheet · Power supply

PIN assignment



Voltage	Terminal	Contact bridge
115 V	1 u. 4	1 – 3 u. 2 – 4
230 V	1 u. 4	2 – 3
400 V	1 u. 5	2 – 3

Fixing



Description

Power supply unit for a direct voltage feed-in from DC 24 V with single-phased main connection

20.04.2013 – Subject to technical modification

Part-No. 722973

USA: LUTZE INC.

13330 South Ridge Drive • Charlotte, NC 28273, USA
 Tel. +1 (704) 504-0222 • Fax +1 (704) 504-0223
 www.lutze.com • info@lutze.com

United Kingdom: LÜTZE Ltd.

Unit 3, Sandy Hill Park
 Sandy Way, Amington • GB-Tamworth, Staffs B77 4DU
 Tel. +44 (0)1827 31333-0 • Fax +44 (0)1827 31333-2
 www.lutze.com • sales.gb@lutze.co.uk



SYSTEMATIC TECHNOLOGY