

One-phase switching power supply
regulated, 120 W, 2-phase



Identification	Type	CPSB2-120-24
	Part-No.	722983
Input		
Nominal voltage	AC 200–500 V	
Operation voltage range	AC 187–550 V, DC 270–725 V	
Line frequency	47 Hz–63 Hz	
Rated current	$U_i = AC 200 V: 1.2 A / U_i = AC 500 V: 0.5 A$	
Inrush current	<AC 20 A (AC 200 V); <AC 45 A (AC 500 V)	
External fuse	Mini-circuit breaker: B 10 A, C 6 A	
Power Factor Correction P.F.C.	>0.7	
Load Side		
Rated voltage output	DC 24 V	
Rated current output	5 A	
Max. output current	6.5 A (5s) @ 24 V	
Short-circuit current	22 A (AC 200 V), 32 A (AC 500 V) 0.50 sec.	
Low power loss	22 W (AC 230 V)	
Voltage trim range	23/27.5 V	
Load regulation	<1 %	
Ripple & Noise	50 mV pp	
Hold up time	>20 ms (AC 200 V); >200 ms (AC 500 V)	
Status indication DC ON LED green	$\geq 21.6 V$	

20.04.2013 – Subject to technical modification

Part-No. 722983

USA: LUTZE INC.

13330 South Ridge Drive • Charlotte, NC 28273, USA
Tel. +1 (704) 504-0222 • Fax +1 (704) 504-0223
www.lutze.com • info@lutze.com

United Kingdom: LÜTZE Ltd.

Unit 3, Sandy Hill Park
Sandy Way, Amington • GB-Tamworth, Staffs B77 4DU
Tel. +44 (0)1827 31333-0 • Fax +44 (0)1827 31333-2
www.lutze.com • sales.gb@lutze.co.uk



SYSTEMATIC TECHNOLOGY

Technical data sheet - Power supply

Status indication DC LOW LED red	≤21.6 V
Parallel/redundant operation	max. 2 devices / via external diodes
Efficiency	>86 %
Rated over load protection	yes
Over voltage protection	yes
Short circuit characteristics	Hiccup-mode

General

Switching frequency	approx. 70 – 110 kHz
Insulation voltage input/output	3.0 kV _{eff}
Insulation voltage input / ground	AC 2.0 kV _{eff}
Insulation voltage output / ground	AC 0.5 kV _{eff}
Operation temperature range	-20 °C – 60 °C (derating)
Derating	>50°C: -2.4 W / °C
Storage temperature range	-25 °C – 85 °C
M.T.B.F.	750000 h to SN29500 / 250000 h to MIL Standard HDBK 217F
Relative humidity	20–90% RH, non-condensing
Dimensions (w × h × d)	55.0×115.0×130.0 mm
Cooling	Natural air cooling, 10 mm distance right/left, 50 mm distance above/below
Installation position	vertical
Housing material	Aluminium
Protection class	IP 20 (IEC529, EN60529)
Field installation	rail TS 35 (EN 50022)
IP rating	I (SELV, PELV)
Overvoltage category	II
Pollution degree	2
Weight (kg/piece)	0.600
Termination	Screw terminal: 0.2–2.5 mm ² - pluggable,max. 0.56 Nm
Approvals	UL, cUL: UL 508, IEC 950, EN 60950 CE: EN 61000-4-2/3/4/5/6/11, EN 61000-6-2, EN 601000-6-4, EN 50178, EN 61558, EN 50081-1, EN 50082-2, EN 55022 Class B

Monitoring

DC ON Control (Rdy)	Normally open
Switching voltage	AC 300 V / DC 150 V
Switching current	AC/DC 1 A
Switching capacity	300 VA / 30 W
Insulation voltage	AC 500 V

20.04.2013 – Subject to technical modification

Part-No. 722983

USA: LUTZE INC.

13330 South Ridge Drive • Charlotte, NC 28273, USA
Tel. +1 (704) 504-0222 • Fax +1 (704) 504-0223
www.lutze.com • info@lutze.com

United Kingdom: LÜTZE Ltd.

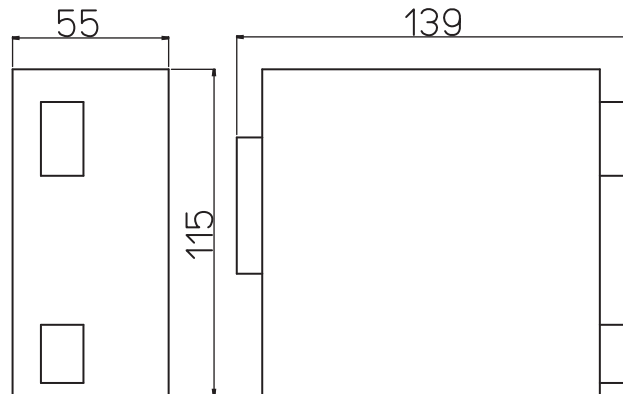
Unit 3, Sandy Hill Park
Sandy Way, Amington • GB-Tamworth, Staffs B77 4DU
Tel. +44 (0)1827 31333-0 • Fax +44 (0)1827 31333-2
www.lutze.com • sales.gb@lutze.co.uk



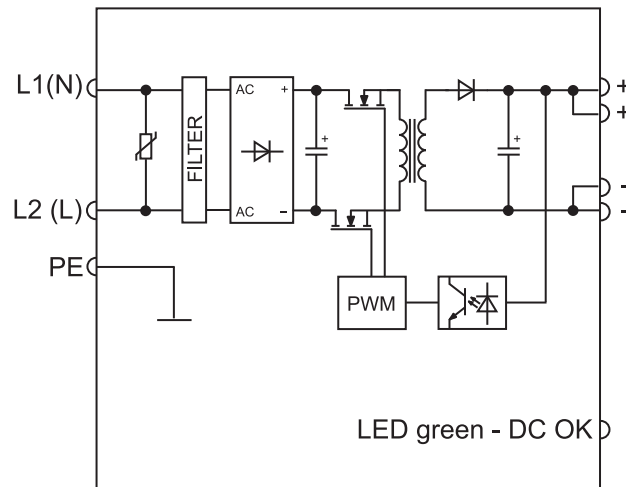
SYSTEMATIC TECHNOLOGY

Technical data sheet • Power supply

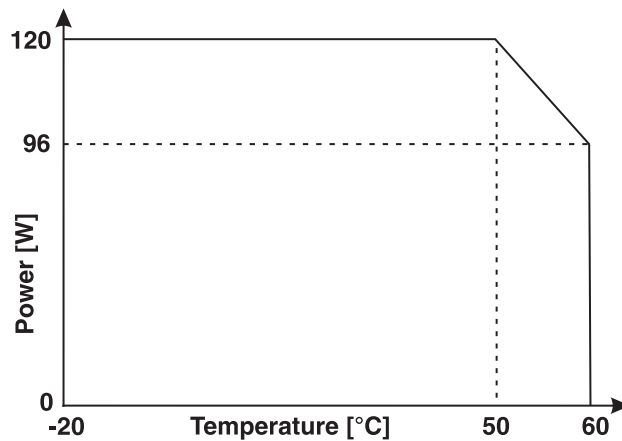
Dimensions



PIN assignment



Derating



20.04.2013 – Subject to technical modification

Part-No. 722983

USA: LUTZE INC.

13330 South Ridge Drive • Charlotte, NC 28273, USA

Tel. +1 (704) 504-0222 • Fax +1 (704) 504-0223

www.lutze.com • info@lutze.com

United Kingdom: LÜTZE Ltd.

Unit 3, Sandy Hill Park

Sandy Way, Amington • GB-Tamworth, Staffs B77 4DU

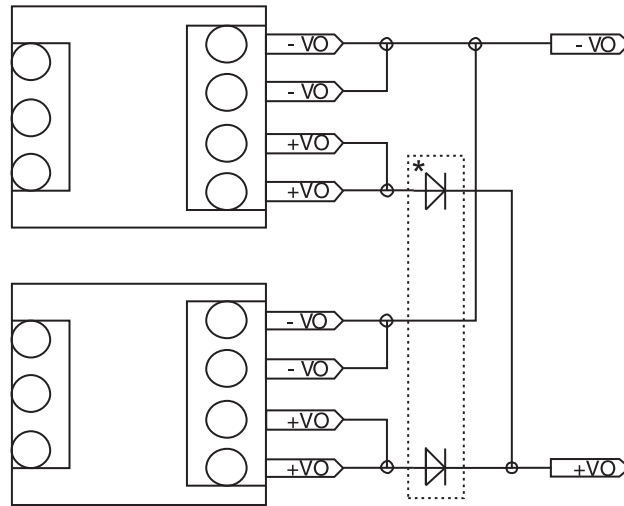
Tel. +44 (0)1827 31333-0 • Fax +44 (0)1827 31333-2

www.lutze.com • sales.gb@lutze.co.uk



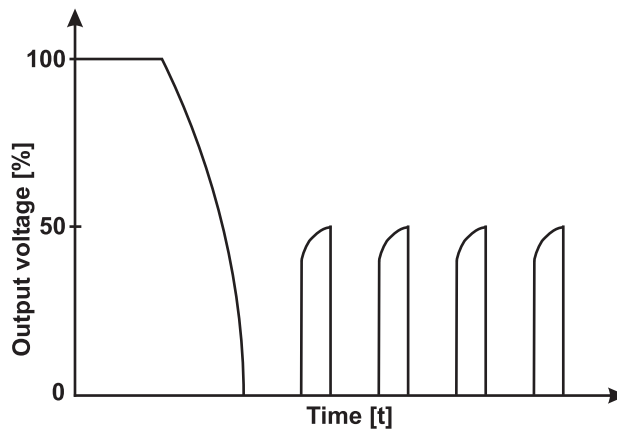
SYSTEMATIC TECHNOLOGY

Redundant operation



* Redundant Module 722987

Short circuit characteristics



20.04.2013 – Subject to technical modification

Part-No. 722983

USA: LUTZE INC.

13330 South Ridge Drive • Charlotte, NC 28273, USA
 Tel. +1 (704) 504-0222 • Fax +1 (704) 504-0223
 www.lutze.com • info@lutze.com

United Kingdom: LÜTZE Ltd.

Unit 3, Sandy Hill Park
 Sandy Way, Amington • GB-Tamworth, Staffs B77 4DU
 Tel. +44 (0)1827 31333-0 • Fax +44 (0)1827 31333-2
 www.lutze.com • sales.gb@lutze.co.uk



SYSTEMATIC TECHNOLOGY