

Redundant module



Identification	Type	DRP20-24
	Part-No.	722987

Description	Redundant module 20 A with 2 inputs Potential-free signalling contact and Status LED per input Over- and undervoltage control
--------------------	---

25.08.2017 – Subject to technical modification

Part-No. 722987

USA: LUTZE INC.

13330 South Ridge Drive · Charlotte, NC 28273, USA
Tel. +1 (704) 504-0222 · Fax +1 (704) 504-0223
www.lutze.com · info@lutze.com

United Kingdom: LÜTZE Ltd.

Unit 3, Sandy Hill Park
Sandy Way, Amington · GB-Tamworth, Staffs B77 4DU
Tel. +44 (0)1827 31333-0 · Fax +44 (0)1827 31333-2
www.lutze.com · sales.gb@lutze.co.uk

Technical data sheet - Power supply

Input

Rated voltage U_N	DC 24 V
No. of inputs	2
Operation voltage range	DC 21–28 V
No. of inputs	2
Rated current I_N	max. 20 A in total

Output

Rated voltage U_N	24.00 V
Rated current I_N	20.00 A
Max. output current	30 A, 5 s @ 24 V
Voltage drop	0.5 V
Inverse voltage	30 V
Heat dissipation	max. 10 W
Status indication DC ON LED green	ON: DC input A or B OK / OFF: Error
Over voltage protection	No
Rated over load protection	No

Monitoring

DC ON Control (Rdy)	Changeover contact per input No error: input voltage >20 V or <30 V, connection 2(5) - 3(6) closed Error: input voltage <20 V or >30 V, connection 2(5) - 1(4) closed
Switching voltage	AC 300 V / DC 150 V
Switching current	AC/DC 1 A
Switching capacity	300 VA / 30 W
Isolation voltage	AC 100 V

General

Operation temperature range	-5 °C ... +70 °C
Storage temperature range	-25 °C ... +85 °C
MTBF	659000 h
Cooling	Air convection
Housing material	Plastic
Mounting	DIN rail mountable TS35 (EN 60715)
Application height	4850 m
Installation position	vertical
Protection class	IP20 (IEC 529, EN 60529)
Over voltage category	II
Degree of pollution	2
Weight	0.210 kg/piece

25.08.2017 – Subject to technical modification

Part-No. 722987

USA: LUTZE INC.

13330 South Ridge Drive • Charlotte, NC 28273, USA
Tel. +1 (704) 504-0222 • Fax +1 (704) 504-0223
www.lutze.com • info@lutze.com

United Kingdom: LÜTZE Ltd.

Unit 3, Sandy Hill Park
Sandy Way, Amington • GB-Tamworth, Staffs B77 4DU
Tel. +44 (0)1827 31333-0 • Fax +44 (0)1827 31333-2
www.lutze.com • sales.gb@lutze.co.uk

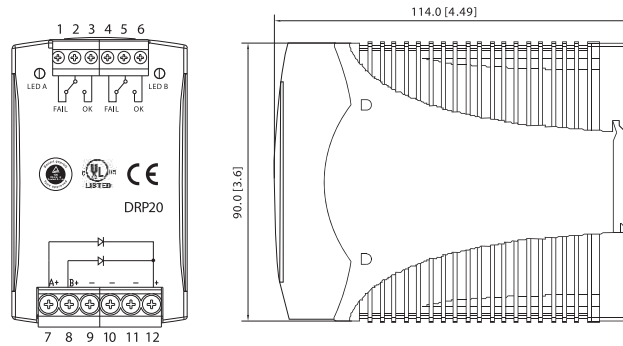


SYSTEMATIC TECHNOLOGY

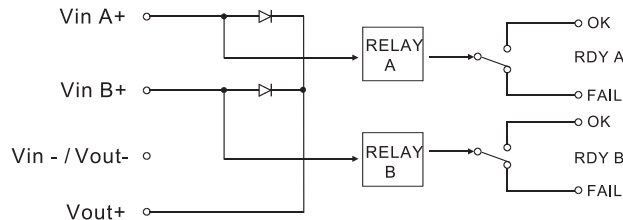
Technical data sheet · Power supply

Connection device	Input Screw terminal 0.20 mm ² – 4.0 mm ² Output Screw terminal 0.20 mm ² – 4.0 mm ² Relays Screw terminal 0.20 mm ² – 2.5 mm ²
Dimensions (w × h × d)	54.0 × 90.0 × 114.0 mm
Standards	UL 508 listed UL 60950-1 EN 55022 Class B EN 55024 EN 61000-4-2/3/4/6/8 EN 61204-3
PU	1 piece

Dimensions



PIN assignment



25.08.2017 – Subject to technical modification

Part-No. 722987

USA: LUTZE INC.

13330 South Ridge Drive • Charlotte, NC 28273, USA
Tel. +1 (704) 504-0222 • Fax +1 (704) 504-0223
www.lutze.com • info@lutze.com

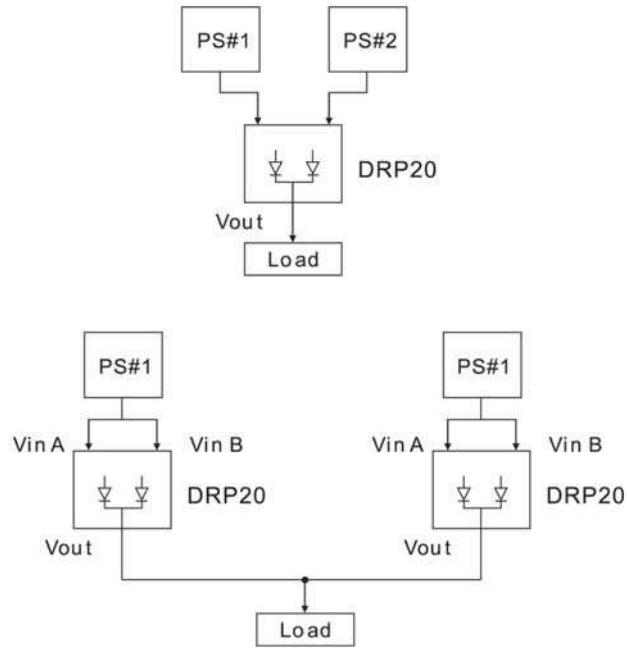
United Kingdom: LÜTZE Ltd.

Unit 3, Sandy Hill Park
Sandy Way, Amington • GB-Tamworth, Staffs B77 4DU
Tel. +44 (0)1827 31333-0 • Fax +44 (0)1827 31333-2
www.lutze.com • sales.gb@lutze.co.uk



SYSTEMATIC TECHNOLOGY

Use



25.08.2017 – Subject to technical modification

Part-No. 722987

USA: LUTZE INC.

13330 South Ridge Drive • Charlotte, NC 28273, USA
Tel. +1 (704) 504-0222 • Fax +1 (704) 504-0223
www.lutze.com • info@lutze.com

United Kingdom: LÜTZE Ltd.

Unit 3, Sandy Hill Park
Sandy Way, Amington • GB-Tamworth, Staffs B77 4DU
Tel. +44 (0)1827 31333-0 • Fax +44 (0)1827 31333-2
www.lutze.com • sales.gb@lutze.co.uk