



---

|                       |          |         |
|-----------------------|----------|---------|
| <b>Identification</b> | Type     | CPSRM50 |
|                       | Part-No. | 722999  |

---

|                    |  |
|--------------------|--|
| <b>Description</b> | Redundant module 12 to 85 V, 50 A<br>Potential-free signalling contact<br>Status LED per input |
|--------------------|--|

---

25.08.2017 – Subject to technical modification

Part-No. 722999

USA: LUTZE INC.

13330 South Ridge Drive · Charlotte, NC 28273, USA  
Tel. +1 (704) 504-0222 · Fax +1 (704) 504-0223  
www.lutze.com · info@lutze.com

United Kingdom: LÜTZE Ltd.

Unit 3, Sandy Hill Park  
Sandy Way, Amington · GB-Tamworth, Staffs B77 4DU  
Tel. +44 (0)1827 31333-0 · Fax +44 (0)1827 31333-2  
www.lutze.com · sales.gb@lutze.co.uk



SYSTEMATIC TECHNOLOGY

## Technical data sheet · Power supply

---

### Input

---

|                         |                     |
|-------------------------|---------------------|
| No. of inputs           | 2                   |
| Operation voltage range | DC 12–85 V          |
| No. of inputs           | 2                   |
| Rated current $I_N$     | max. 50 A per input |

---

### Output

---

|                                   |                  |
|-----------------------------------|------------------|
| Max. output current               | 300 A            |
| Voltage drop                      | <0.2 V           |
| Heat dissipation                  | max. 10 W        |
| Status indication DC ON LED green | IN1, IN2 OK      |
| Status indication DC ON LED red   | Redundancy error |
| Overtemperature protection        | No               |
| Over voltage protection           | No               |

---

### Monitoring

---

|                     |                    |
|---------------------|--------------------|
| DC ON Control (Rdy) | N/O contact        |
| Switching voltage   | AC 300 V / DC 24 V |
| Switching current   | AC/DC 1 A          |
| Switching capacity  | 300 VA / 30 W      |
| Isolation voltage   | DC 100 V           |

---

### General

---

|                             |  |
|-----------------------------|--|
| Operation temperature range | -20 °C ... +50 °C  |
| Storage temperature range   | -25 °C ... +85 °C  |
| Cooling                     | Air convection   |
| Housing material            | Aluminum   |
| Mounting                    | DIN rail mountable TS35<br>(EN 60715)  |
| Installation position       | vertical   |
| Shock resistance            | 30 g 6 ms, 20 g 11 ms, 3 shocks/direction, 18 shocks in total, IEC60068-2-27: 2008 |
| Vibration resistance        | 5 – 17.8 Hz: ±1.6 mm, 17.8 – 500 Hz: 2 g 2 hours/axes X,Y,Z, IEC 60068-2-6: 2007   |
| Protection class            | IP20 (IEC 529, EN 60529)   |
| Over voltage category       | II   |
| Degree of pollution         | 2  |
| Weight                      | 0.200 kg/piece   |

25.08.2017 – Subject to technical modification

Part-No. 722999

USA: LUTZE INC.

13330 South Ridge Drive · Charlotte, NC 28273, USA  
Tel. +1 (704) 504-0222 · Fax +1 (704) 504-0223  
www.lutze.com · info@lutze.com

United Kingdom: LÜTZE Ltd.

Unit 3, Sandy Hill Park  
Sandy Way, Amington · GB-Tamworth, Staffs B77 4DU  
Tel. +44 (0)1827 31333-0 · Fax +44 (0)1827 31333-2  
www.lutze.com · sales.gb@lutze.co.uk

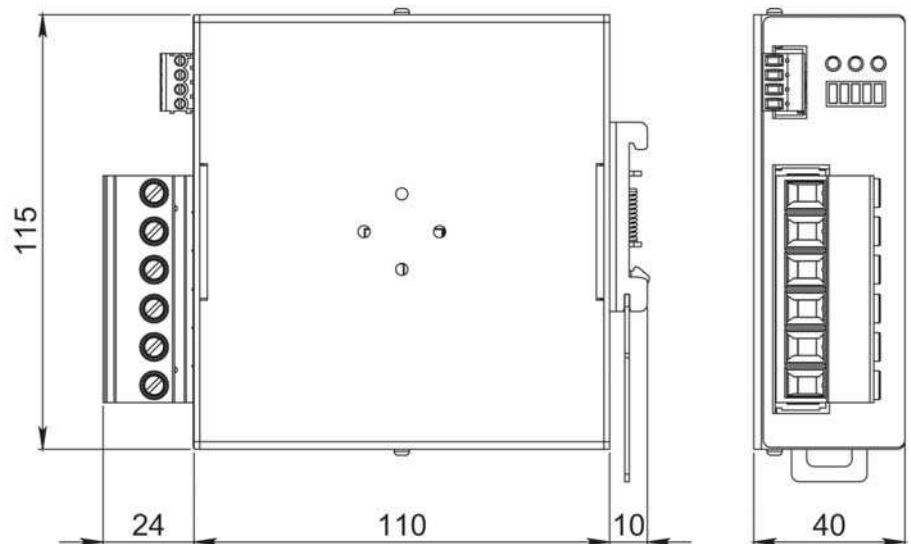


SYSTEMATIC TECHNOLOGY

## Technical data sheet · Power supply

|                        |  |
|------------------------|--|
| Connection device      | Input<br>Screw terminal<br>plug-in<br>0.20 mm <sup>2</sup> – 16.0 mm <sup>2</sup><br>Output<br>Screw terminal<br>plug-in<br>0.20 mm <sup>2</sup> – 16.0 mm <sup>2</sup><br>Relays<br>Screw terminal<br>plug-in<br>0.20 mm <sup>2</sup> – 1.5 mm <sup>2</sup> |
| Dimensions (w × h × d) | 40.0 × 115.0 × 110.0 mm  |
| Approvals              | cULus (E249179)  |
| Standards              | UL 508<br>EN 60950-1<br>EN 55022 Class B<br>EN 55024<br>EN 61000-4-2/3/4/6/8<br>EN 61204-3   |
| PU                     | 1 piece  |

### Dimensions



25.08.2017 – Subject to technical modification

Part-No. 722999

USA: LUTZE INC.

13330 South Ridge Drive • Charlotte, NC 28273, USA  
Tel. +1 (704) 504-0222 • Fax +1 (704) 504-0223  
www.lutze.com • info@lutze.com

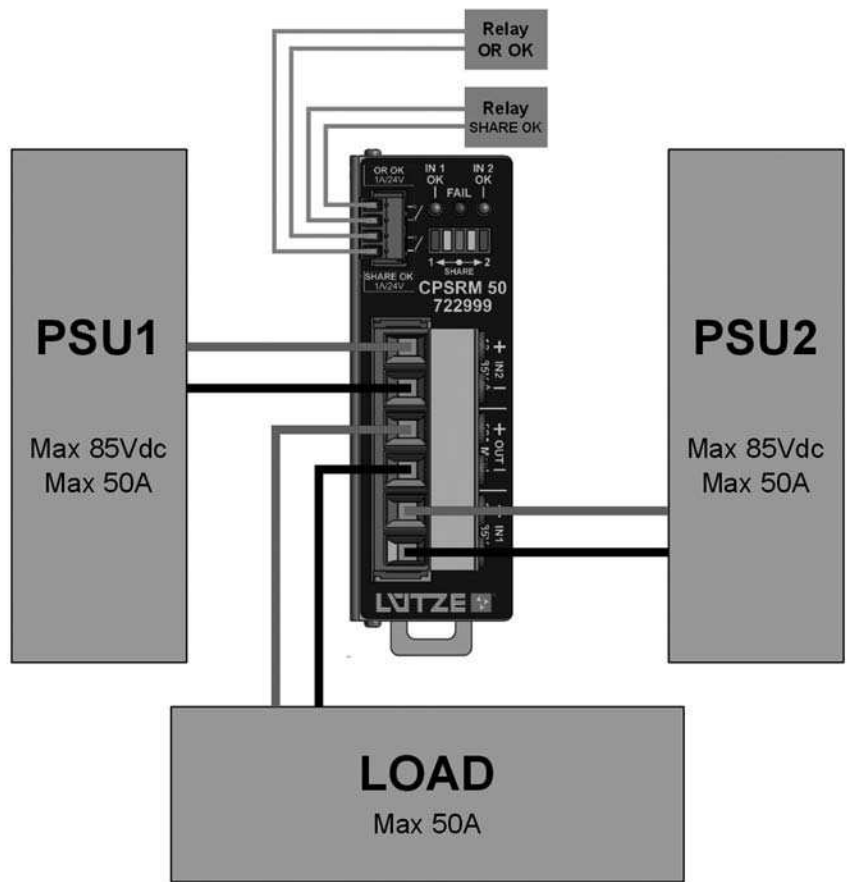
United Kingdom: LÜTZE Ltd.

Unit 3, Sandy Hill Park  
Sandy Way, Amington • GB-Tamworth, Staffs B77 4DU  
Tel. +44 (0)1827 31333-0 • Fax +44 (0)1827 31333-2  
www.lutze.com • sales.gb@lutze.co.uk



SYSTEMATIC TECHNOLOGY

PIN assignment



25.08.2017 – Subject to technical modification

Part-No. 722999

USA: LUTZE INC.

13330 South Ridge Drive • Charlotte, NC 28273, USA  
Tel. +1 (704) 504-0222 • Fax +1 (704) 504-0223  
www.lutze.com • info@lutze.com

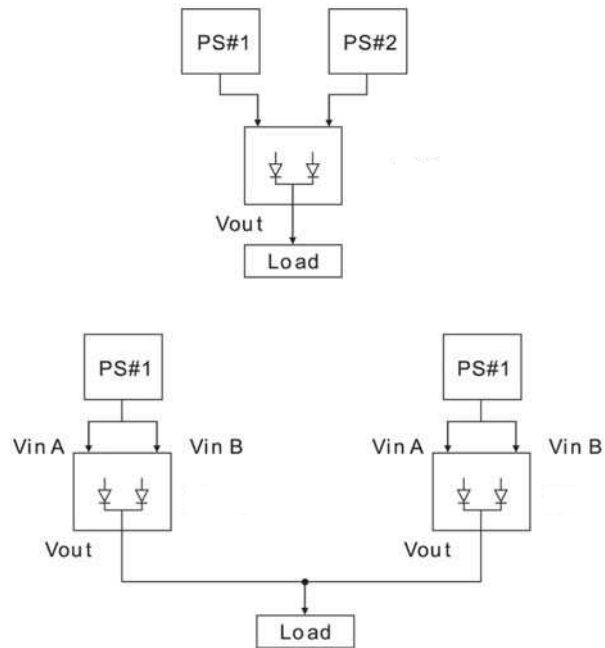
United Kingdom: LÜTZE Ltd.

Unit 3, Sandy Hill Park  
Sandy Way, Amington • GB-Tamworth, Staffs B77 4DU  
Tel. +44 (0)1827 31333-0 • Fax +44 (0)1827 31333-2  
www.lutze.com • sales.gb@lutze.co.uk



SYSTEMATIC TECHNOLOGY

**Use**



25.08.2017 – Subject to technical modification

Part-No. 722999

USA: LUTZE INC.

13330 South Ridge Drive · Charlotte, NC 28273, USA  
Tel. +1 (704) 504-0222 · Fax +1 (704) 504-0223  
www.lutze.com · info@lutze.com

United Kingdom: LÜTZE Ltd.

Unit 3, Sandy Hill Park  
Sandy Way, Amington · GB-Tamworth, Staffs B77 4DU  
Tel. +44 (0)1827 31333-0 · Fax +44 (0)1827 31333-2  
www.lutze.com · sales.gb@lutze.co.uk