

One-phase switching power supply
regulated, 30 W



Identification	Type	DRA30-05
	Part-No.	728763
Input		
Nominal voltage	AC 100–240 V	
Operation voltage range	AC 85–264 V / DC 90–375 V	
Line frequency	47 Hz – 63 Hz	
Rated current	$U_i = AC 115 V: 360 mA$ / $U_i = AC 230 V: 190 mA$	
Inrush current	$U_i = AC 115 V: 20 A$ / $U_i = AC 230 V: 40 A$	
Internal fuse	T2 A / AC 250 V	
External fuse	Mini-circuit breaker: B 4 A	
Load Side		
Rated voltage output	DC 5 V	
Rated current output	6 A	
Low power loss	8.5 W (AC 230 V)	
Voltage trim range	5–5.5 V	
Accuracy	±1 %	
Line regulation	±0.5 %	
Load regulation	±0.5 %	
Rise time	1 s	
Temperature coefficient	±0.03 % / °C	
Ripple & Noise	<50 mV	

02.04.2016 – Subject to technical modification

Part-No. 728763

USA: LUTZE INC.

13330 South Ridge Drive • Charlotte, NC 28273, USA
Tel. +1 (704) 504-0222 • Fax +1 (704) 504-0223
www.lutze.com • info@lutze.com

United Kingdom: LUTZE Ltd.

Unit 3, Sandy Hill Park
Sandy Way, Amington • GB-Tamworth, Staffs B77 4DU
Tel. +44 (0)1827 31333-0 • Fax +44 (0)1827 31333-2
www.lutze.com • sales.gb@lutze.co.uk



SYSTEMATIC TECHNOLOGY

Technical data sheet · Power supply

Hold up time	$V_{in}= 115\text{ V}: 20\text{ ms} / V_{in}= 230\text{ V}: 30\text{ ms}$
Status indication DC ON LED green	$\geq 4\text{ V}$
Parallel/redundant operation	max. 2 devices / via external diodes
Efficiency	79 %
Rated over load protection	110–140 %
Over voltage protection	120–136 %
Short circuit characteristics	Hiccup-mode

General

Switching frequency	approx. 80 kHz
Insulation voltage input/output	AC 3.0 kV _{eff}
Insulation voltage input / ground	AC 1.5 kV _{eff}
Insulation resistance at DC 500 V	100 M Ω
Operation temperature range	-25 °C – 70 °C (derating)
Derating	-2.5% / °C starting at 60 °C
Storage temperature range	-25 °C – 85 °C
M.T.B.F.	551000 h
Relative humidity	20–90% RH, non-condensing
Dimensions (w × h × d)	40.5 × 90.0 × 115.0 mm
Cooling	Natural air cooling, 25 mm distance on all sides
Installation position	vertical
Housing material	Plastic
Protection class	IP 20
Field installation	rail TS 35 (EN 50022)
Application height	2000 m
IP rating	II (SELV, PELV)
Overvoltage category	II
Pollution degree	2
Weight (kg/piece)	0.290
Termination	Spring terminal: 0.2–2.0 mm ²
Approvals	UL: UL 508 listed; cUL: UL 60950-1; TÜV: EN 60950-1, CE: EN 61000-6-3 / EN 55022 Class B; EN 61000-3-2, EN 601000-3-3; EN 55024; EN 61000-6-2; EN 61000-4-2; EN 61000-4-3, EN 61000-4-4; EN 61000-4-5; EN 61000-4-6; EN 61000-4-8; EN 61000-4-11

02.04.2016 – Subject to technical modification

Part-No. 728763

USA: LUTZE INC.

13330 South Ridge Drive · Charlotte, NC 28273, USA

Tel. +1 (704) 504-0222 · Fax +1 (704) 504-0223

www.lutze.com · info@lutze.com

United Kingdom: LUTZE Ltd.

Unit 3, Sandy Hill Park

Sandy Way, Amington · GB-Tamworth, Staffs B77 4DU

Tel. +44 (0)1827 31333-0 · Fax +44 (0)1827 31333-2

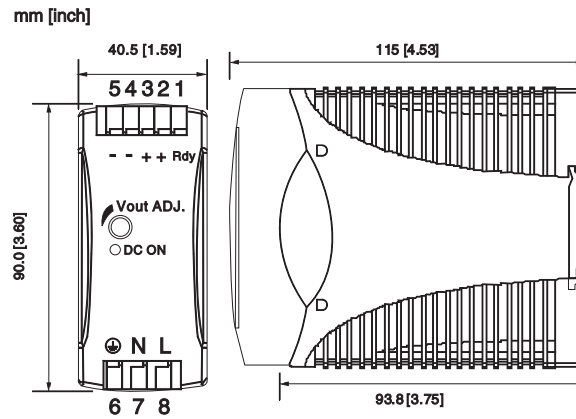
www.lutze.com · sales.gb@lutze.co.uk



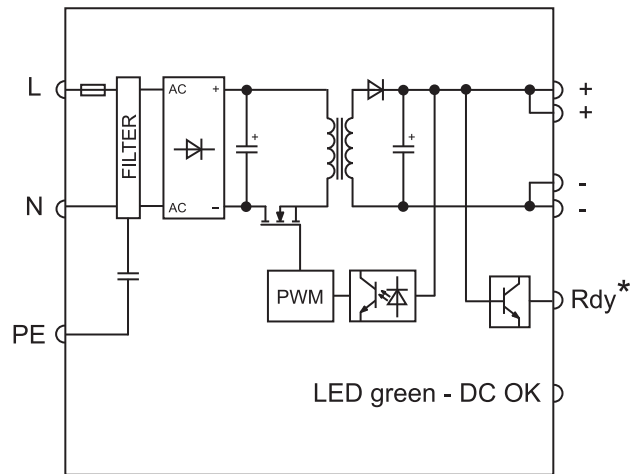
SYSTEMATIC TECHNOLOGY

Technical data sheet · Power supply

Dimensions



PIN assignment



* for 24V version only

02.04.2016 – Subject to technical modification

Part-No. 728763

USA: LUTZE INC.

13330 South Ridge Drive · Charlotte, NC 28273, USA

Tel. +1 (704) 504-0222 · Fax +1 (704) 504-0223

www.lutze.com · info@lutze.com

United Kingdom: LUTZE Ltd.

Unit 3, Sandy Hill Park

Sandy Way, Amington · GB-Tamworth, Staffs B77 4DU

Tel. +44 (0)1827 31333-0 · Fax +44 (0)1827 31333-2

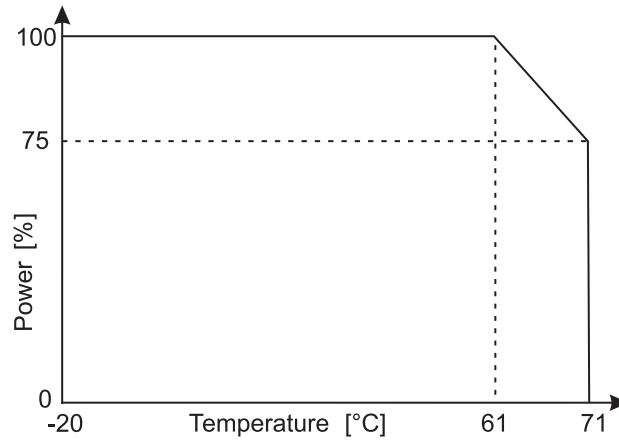
www.lutze.com · sales.gb@lutze.co.uk



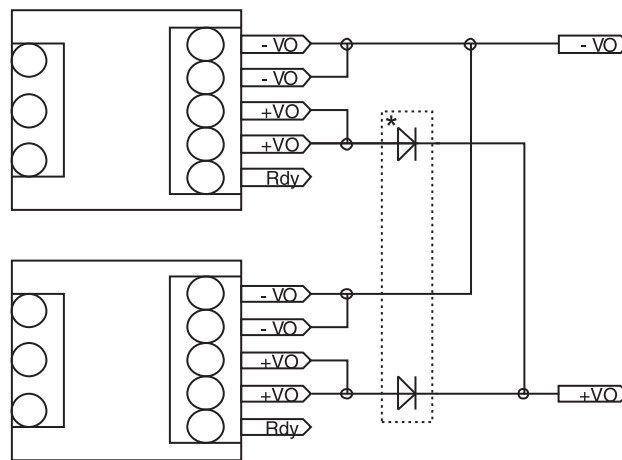
SYSTEMATIC TECHNOLOGY

Technical data sheet · Power supply

Derating



Redundant operation



* Redundant Module 722987
Only use together with 24 V version!

02.04.2016 – Subject to technical modification

Part-No. 728763

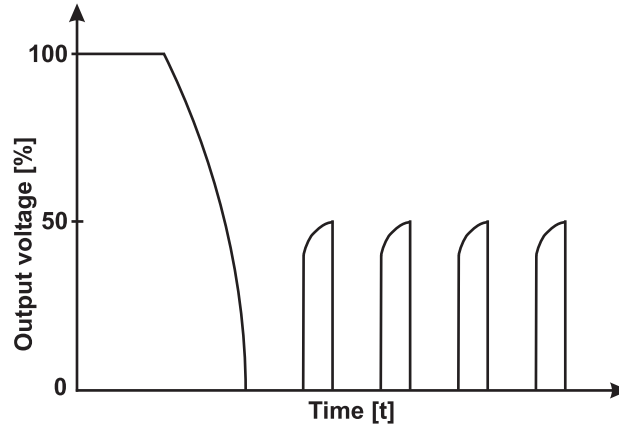
USA: LUTZE INC.

13330 South Ridge Drive · Charlotte, NC 28273, USA
Tel. +1 (704) 504-0222 · Fax +1 (704) 504-0223
www.lutze.com · info@lutze.com

United Kingdom: LUTZE Ltd.

Unit 3, Sandy Hill Park
Sandy Way, Amington · GB-Tamworth, Staffs B77 4DU
Tel. +44 (0)1827 31333-0 · Fax +44 (0)1827 31333-2
www.lutze.com · sales.gb@lutze.co.uk

Short circuit characteristics



02.04.2016 – Subject to technical modification

Part-No. 728763

USA: LUTZE INC.

13330 South Ridge Drive · Charlotte, NC 28273, USA

Tel. +1 (704) 504-0222 · Fax +1 (704) 504-0223

www.lutze.com · info@lutze.com

United Kingdom: LUTZE Ltd.

Unit 3, Sandy Hill Park

Sandy Way, Amington · GB-Tamworth, Staffs B77 4DU

Tel. +44 (0)1827 31333-0 · Fax +44 (0)1827 31333-2

www.lutze.com · sales.gb@lutze.co.uk



SYSTEMATIC TECHNOLOGY