

One-phase switching power supply  
regulated, 480 W



<b>Identification</b>	Type	DRA 480-24B
	Part-No.	728782
<b>Input</b>		
Nominal voltage	AC 115 / 230 V (auto select)	
Operation voltage range	AC 90–264 V; DC 120–370 V	
Line frequency	47 Hz – 63 Hz	
Rated current	U <sub>i</sub> = AC 115 V: 4.8 A / U <sub>i</sub> = AC 230 V: 2.45 A	
Inrush current	U <sub>i</sub> = AC 115 V: 25 A / U <sub>i</sub> = AC 230 V: 50 A	
Internal fuse	T10 A / AC 250 V	
External fuse	Mini-circuit breaker: B 16 A	
Power Factor Correction P.F.C.	0.99	
<b>Load Side</b>		
Rated voltage output	DC 24 V	
Rated current output	20 A	
Voltage trim range	22.5–28.5 V	
Accuracy	±1 %	
Line regulation	±0.5 %	
Load regulation	Single ±0.5 %, Parallel ±5 %	
Rise time	1 s	
Temperature coefficient	±0.03 % / °C	
Ripple & Noise	100 mV	

09.02.2016 – Subject to technical modification

Part-No. 728782

USA: LUTZE INC.

13330 South Ridge Drive • Charlotte, NC 28273, USA  
Tel. +1 (704) 504-0222 • Fax +1 (704) 504-0223  
www.lutze.com • info@lutze.com

United Kingdom: LUTZE Ltd.

Unit 3, Sandy Hill Park  
Sandy Way, Amington • GB-Tamworth, Staffs B77 4DU  
Tel. +44 (0)1827 31333-0 • Fax +44 (0)1827 31333-2  
www.lutze.com • sales.gb@lutze.co.uk



SYSTEMATIC TECHNOLOGY

## Technical data sheet - Power supply

---

Hold up time	min. 30 ms
Status indication DC ON LED green	≥17.6–19.4 V
Status indication DC LOW LED red	≤17.6–19.4 V
Parallel/redundant operation	max 3 devices with 90 % load current each, switching with switch S/P
Efficiency	89 %
Rated over load protection	120–140 %
Over voltage protection	125–137 %
Short circuit characteristics	Current limit

---

### General

---

Switching frequency	approx. 60 kHz
Insulation voltage input/output	AC 3.0 kV <sub>eff</sub>
Insulation voltage input / ground	AC 1.5 kV <sub>eff</sub>
Insulation resistance at DC 500 V	100 MΩ
Operation temperature range	-25 °C – 71 °C (derating)
Derating	-4% / °C starting at 61 °C
Storage temperature range	-25 °C – 85 °C
Relative humidity	20–90% RH, non-condensing
Dimensions (w × h × d)	175.0 × 125.0 × 116.0 mm
Cooling	Natural air cooling, 25 mm distance on all sides
Installation position	vertical
Housing material	metal
Protection class	IP 20
Field installation	rail TS 35 (EN 50022)
Application height	2000 m
IP rating	I (SELV, PELV)
Overvoltage category	II
Pollution degree	2
Weight (kg/piece)	1.920
Termination	Screw terminal: 0.2–4.0 mm <sup>2</sup> , max. 0.62 Nm
Approvals	UL: UL 508 listed; cUL: UL 60950-1 accepted; TÜV: EN 60950-1, CE: EN 61000-6-3 / EN 55022 Class B, EN 61000-3-2, EN 61000-3-3, EN 61000-6-2, EN 55024

---

### Monitoring

---

DC ON Control (Rdy)	Normally open
Switching voltage	DC 60 V
Switching current	max. 300 mA
Insulation voltage	DC 500 V

09.02.2016 – Subject to technical modification

Part-No. 728782

USA: LUTZE INC.

13330 South Ridge Drive • Charlotte, NC 28273, USA  
Tel. +1 (704) 504-0222 • Fax +1 (704) 504-0223  
www.lutze.com • info@lutze.com

United Kingdom: LUTZE Ltd.

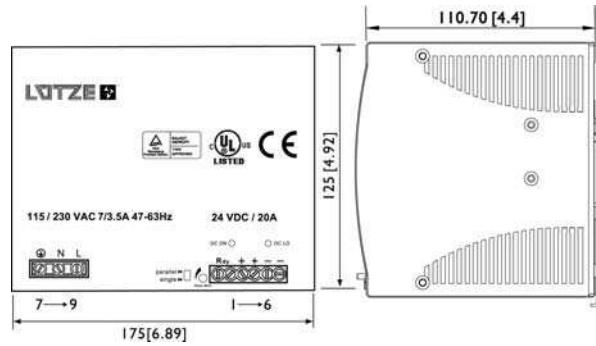
Unit 3, Sandy Hill Park  
Sandy Way, Amington • GB-Tamworth, Staffs B77 4DU  
Tel. +44 (0)1827 31333-0 • Fax +44 (0)1827 31333-2  
www.lutze.com • sales.gb@lutze.co.uk



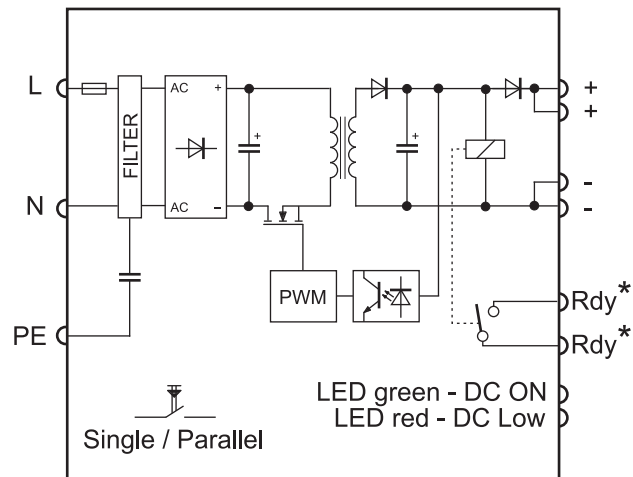
SYSTEMATIC TECHNOLOGY

# Technical data sheet · Power supply

## Dimensions

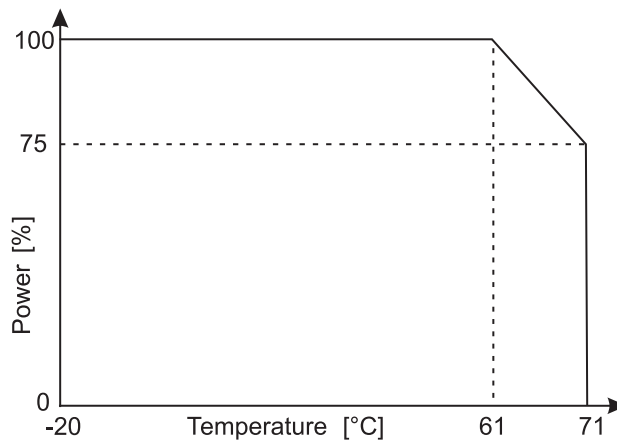


## PIN assignment



\* for 24V version only

## Derating



09.02.2016 – Subject to technical modification

Part-No. 728782

USA: LUTZE INC.

13330 South Ridge Drive · Charlotte, NC 28273, USA

Tel. +1 (704) 504-0222 · Fax +1 (704) 504-0223

www.lutze.com · info@lutze.com

United Kingdom: LUTZE Ltd.

Unit 3, Sandy Hill Park

Sandy Way, Amington · GB-Tamworth, Staffs B77 4DU

Tel. +44 (0)1827 31333-0 · Fax +44 (0)1827 31333-2

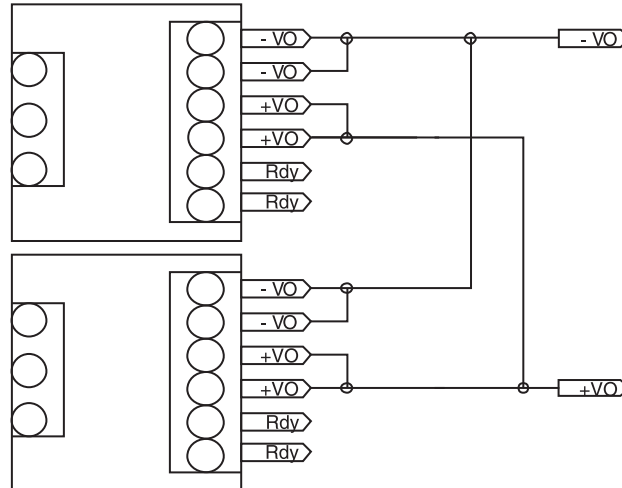
www.lutze.com · sales.gb@lutze.co.uk



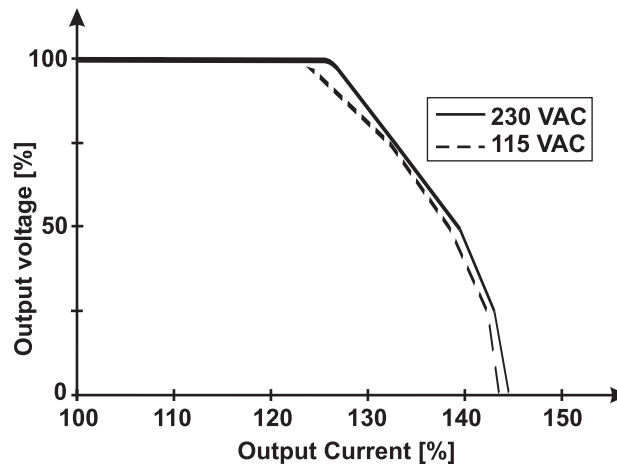
SYSTEMATIC TECHNOLOGY

# Technical data sheet · Power supply

## Parallel/redundant mode



## Short circuit characteristics



09.02.2016 – Subject to technical modification

Part-No. 728782

USA: LUTZE INC.

13330 South Ridge Drive · Charlotte, NC 28273, USA

Tel. +1 (704) 504-0222 · Fax +1 (704) 504-0223

www.lutze.com · info@lutze.com

United Kingdom: LUTZE Ltd.

Unit 3, Sandy Hill Park

Sandy Way, Amington · GB-Tamworth, Staffs B77 4DU

Tel. +44 (0)1827 31333-0 · Fax +44 (0)1827 31333-2

www.lutze.com · sales.gb@lutze.co.uk



SYSTEMATIC TECHNOLOGY