



<b>Identification</b>	Type	NGUE 4-0411 DC 24 V
	Part-No.	730411
<b>Input</b>		
Input signal	DC 24 V	
Galvanic isolation I/O	2-way isolation	
<b>Load Side</b>		
Contact type	1 change over contact	
Min. switching voltage	AC/DC 17 V	
Max. switching voltage	AC 250 V / DC 120 V	
Min. switching current	AC/DC 5 mA	
Max. switching current	AC 5 A / DC 2 A	
Max. switching capacity	1250	
<b>General</b>		
Nominal voltage	DC 24 V	
Operation voltage range	DC 12–35 V	
Rated current	40.0 mA	
Status Indication	LED green: Voltage in tolerance, relay activated 11 = 14 LED red: Voltage out of tolerance, relay de-energized 11 = 12	
Insulation voltage input/output	0.3 kV <sub>eff</sub>	
Housing material	PPE	
Field installation	rail TS 35 (EN 50022)	

20.04.2013 – Subject to technical modification

Part-No. 730411

USA: LUTZE INC.

13330 South Ridge Drive · Charlotte, NC 28273, USA  
Tel. +1 (704) 504-0222 · Fax +1 (704) 504-0223  
www.lutze.com · info@lutze.com

United Kingdom: LÜTZE Ltd.

Unit 3, Sandy Hill Park  
Sandy Way, Amington · GB-Tamworth, Staffs B77 4DU  
Tel. +44 (0)1827 31333-0 · Fax +44 (0)1827 31333-2  
www.lutze.com · sales.gb@lutze.co.uk

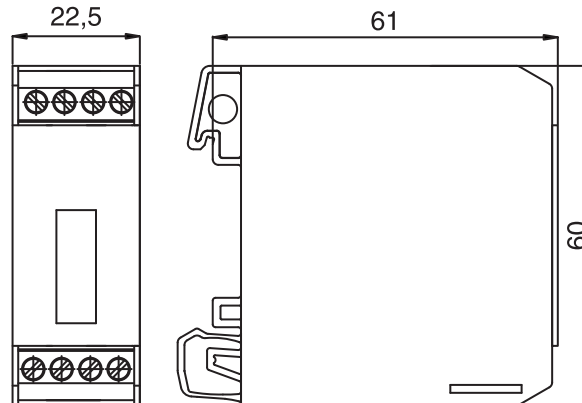


SYSTEMATIC TECHNOLOGY

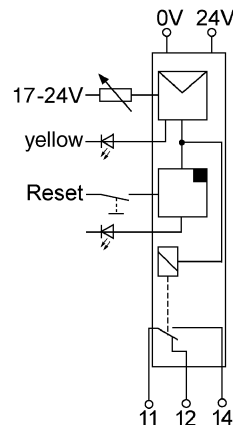
## Technical data sheet - Interface Technology

Protection class	IP 20
Installation position	Optional
Termination	Screw terminal: 0.25–2.5 mm <sup>2</sup>
Operation temperature range	-20 °C – 60 °C
Storage temperature range	-40 °C – 85 °C
Dimensions (w × h × d)	22.5×60.0×67.0 mm
Weight (kg/piece)	0.075 kg/piece

### Dimensions



### PIN assignment



### Accessories

Accessories	Colour	Article number	Type	PU
Jumper comb 24pole, 26A	blue	760801	BK 6-0801	5
tag holder 9×20 mm	white	681315	BZT 0920	100
Labels for laser printer A4 unpunched		681031	LEB - A4	1
Labels for laser printer 9 x 20 mm (Sheet with 270 labels)		681032	LEB 0924	1

20.04.2013 – Subject to technical modification

Part-No. 730411

USA: LUTZE INC.

13330 South Ridge Drive • Charlotte, NC 28273, USA  
 Tel. +1 (704) 504-0222 • Fax +1 (704) 504-0223  
 www.lutze.com • info@lutze.com

United Kingdom: LÜTZE Ltd.

Unit 3, Sandy Hill Park  
 Sandy Way, Amington • GB-Tamworth, Staffs B77 4DU  
 Tel. +44 (0)1827 31333-0 • Fax +44 (0)1827 31333-2  
 www.lutze.com • sales.gb@lutze.co.uk



SYSTEMATIC TECHNOLOGY