



Identification	Type	RE 4-0741 24V #<E>
	Part-No.	730741

Input	
Input voltage range	20.4 V – 30.0 V
Nominal voltage	AC/DC 24 V
Rated frequency	50–60 Hz
Rated current	22.0 mA
Interrupting voltage	<math><2.4\text{ V}</math>
Protection device	Bridge rectifier
Rated insulation voltage (EN 50178)	50 V
Status Indication	LED yellow

Load Side	
Contact type	2 change over contact
Min. switching voltage	AC/DC 17 V
Max. switching voltage	AC/DC 250 V
Min. switching current	AC/DC 5 mA
Max. switching current	AC/DC 5 A
Switching capacity AC 15	3 A
Switching capacity DC 13	at 24 V: 1 A, at 115 V: 200 mA, at 230 V: 100 mA
Max. switching capacity	1250 VA
Contact material	AgNi 90/10

02.04.2016 – Subject to technical modification

Part-No. 730741

USA: LUTZE INC.

13330 South Ridge Drive • Charlotte, NC 28273, USA
 Tel. +1 (704) 504-0222 • Fax +1 (704) 504-0223
 www.lutze.com • info@lutze.com

United Kingdom: LUTZE Ltd.

Unit 3, Sandy Hill Park
 Sandy Way, Amington • GB-Tamworth, Staffs B77 4DU
 Tel. +44 (0)1827 31333-0 • Fax +44 (0)1827 31333-2
 www.lutze.com • sales.gb@lutze.co.uk



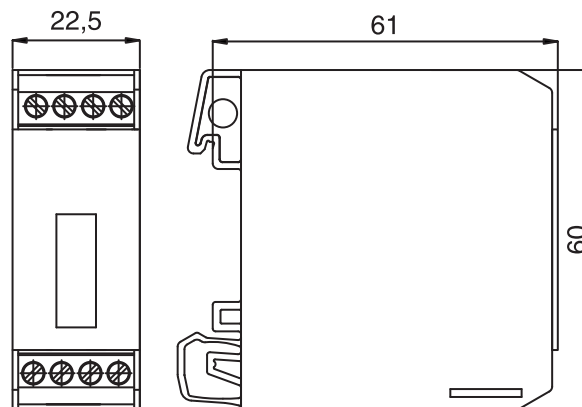
Technical data sheet · Interface Technology

Mechanical service life	2×10^7 operations
Inrush current	15 A (4 ms)
Switch-on delay	8 ms
Switch-off delay	3 ms
Clearance/creep. dist. (control/load side)	2 mm
Rated insulation voltage (EN 50178)	300 V

General

Housing material	PPE
Protection class	IP 20
Field installation	rail TS 35 (EN 50022)
Insulation voltage input/output	2.5 kV _{eff}
Safe isolation	No
Operation temperature range	-25 °C – 60 °C
Storage temperature range	-40 °C – 80 °C
Dimensions (w × h × d)	22.5 × 60.0 × 67.0 mm
Weight (kg/piece)	0.055
Termination	Screw terminal: 0.25–2.5 mm ²

Dimensions



02.04.2016 – Subject to technical modification

Part-No. 730741

USA: LUTZE INC.

13330 South Ridge Drive · Charlotte, NC 28273, USA
Tel. +1 (704) 504-0222 · Fax +1 (704) 504-0223
www.lutze.com · info@lutze.com

United Kingdom: LUTZE Ltd.

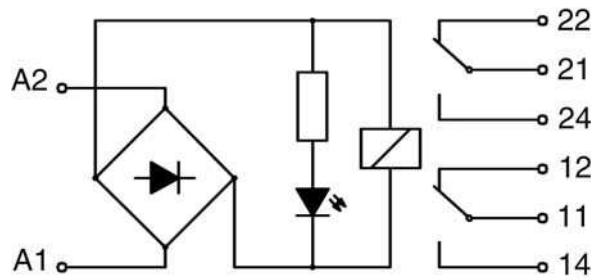
Unit 3, Sandy Hill Park
Sandy Way, Amington · GB-Tamworth, Staffs B77 4DU
Tel. +44 (0)1827 31333-0 · Fax +44 (0)1827 31333-2
www.lutze.com · sales.gb@lutze.co.uk



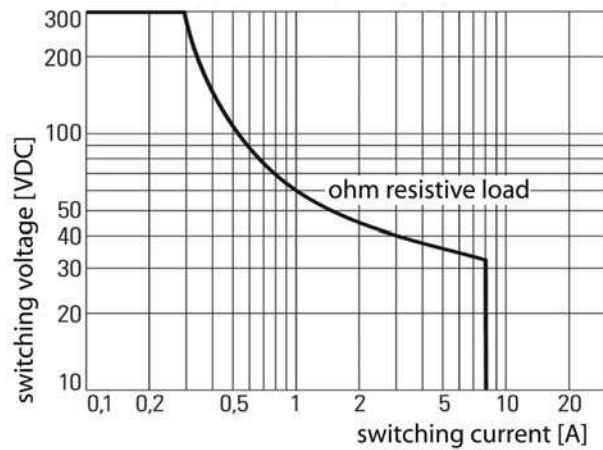
SYSTEMATIC TECHNOLOGY

Technical data sheet • Interface Technology

PIN assignment



Limit curve



Accessories

Accessories	Color	Article number	Type	PU
Tag holder 7×20 mm	white	760968	BZT-0720	100
Laser printer label 6.35×15.24 mm (sheet with 528 labels)		681033	LEB-0615	1

02.04.2016 – Subject to technical modification

Part-No. 730741

USA: LUTZE INC.

13330 South Ridge Drive • Charlotte, NC 28273, USA
 Tel. +1 (704) 504-0222 • Fax +1 (704) 504-0223
 www.lutze.com • info@lutze.com

United Kingdom: LUTZE Ltd.

Unit 3, Sandy Hill Park
 Sandy Way, Amington • GB-Tamworth, Staffs B77 4DU
 Tel. +44 (0)1827 31333-0 • Fax +44 (0)1827 31333-2
 www.lutze.com • sales.gb@lutze.co.uk



SYSTEMATIC TECHNOLOGY