



Identification	Type	LCON AASP D 806210
	Part-No.	750321
Description	Input: 0–10 V, 0–20 mA, 4–20 mA adjustable Output: 2 × 0–10 V, 0–20 mA, 4–20 mA Insulation: 2.5 kV, 4-way isolation	
Input	Input variable Analogue signals Measurement input 0–10 V, 0–20 mA, 4–20 mA adjustable via switch Galvanic isolation I/O 4-way isolation Parameterisation Software FDT/DTM DIP switch Zero /Span freely adjustable Input resistance 500 kΩ @ 0–10 V, 100 Ω @ 0–20 mA, 100 mΩ @ 4–20 mA	
Output	Output signal 0–10 V, 0–20 mA, 4–20 mA Max. load impedance at I-output 400 Ω @ 0–20 mA, 4–20 mA Max. load impedance at U-output >2 kΩ @ 0–10 V Limitation for exceeding measurement range yes, switchable max. modulation range/output current 10.5 V @ 0–10 V, 21 mA @ 0–20 mA, 4–20 mA	

25.08.2017 – Subject to technical modification

Part-No. 750321

USA: LUTZE INC.

13330 South Ridge Drive • Charlotte, NC 28273, USA
 Tel. +1 (704) 504-0222 • Fax +1 (704) 504-0223
 www.lutze.com • info@lutze.com

United Kingdom: LÜTZE Ltd.

Unit 3, Sandy Hill Park
 Sandy Way, Amington • GB-Tamworth, Staffs B77 4DU
 Tel. +44 (0)1827 31333-0 • Fax +44 (0)1827 31333-2
 www.lutze.com • sales.gb@lutze.co.uk



Technical data sheet · Interface Technology

Residual ripple	<20 mV _{eff}
Parameterisation	Software FDT/DTM DIP switch

Operating data

Accuracy	0.1 % FSR
Linearity error	±0.1 % FSR
Critical frequency	30 Hz (filter off), 5 Hz (filter on)

General

Rated voltage	DC 24 V
Operation voltage range	16.8–30 V
Rated current	13 mA
Status indication	LED green
Input/output protection	Overvoltage DC 30 V, short circuit-proof output
Temperature error	<150 ppm FSR
Data storage	Flash
Insulation voltage input / output	2.5 kV _{eff}
Resolution	16-bit
Configuration	Switch
Housing material	PA 6.6 (UL 94 V-0)
Colour of the housing	light grey
Mounting	DIN rail mountable TS35 (EN 60715)
Protection class	IP20
Installation position	any
Connection device	Screw terminal 0.14 mm ² – 1.5 mm ²
Operation temperature range	-40 °C ... +70 °C
Storage temperature range	-40 °C ... +85 °C
Dimensions (w × h × d)	6.2 × 90.0 × 115.5 mm
Weight	0.050 kg/piece
PU	1 piece
Approvals	cULus Cl.1 Div2, Gr. A, B, C, D, T4A GL
Standards	EN 60947-5-1

25.08.2017 – Subject to technical modification

Part-No. 750321

USA: LUTZE INC.

13330 South Ridge Drive · Charlotte, NC 28273, USA
Tel. +1 (704) 504-0222 · Fax +1 (704) 504-0223
www.lutze.com · info@lutze.com

United Kingdom: LÜTZE Ltd.

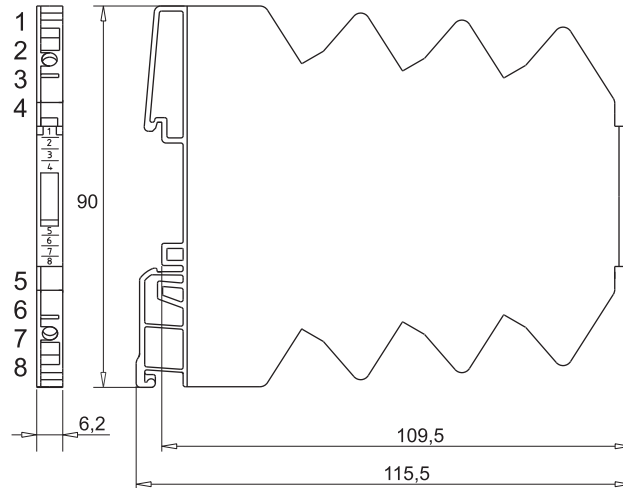
Unit 3, Sandy Hill Park
Sandy Way, Amington · GB-Tamworth, Staffs B77 4DU
Tel. +44 (0)1827 31333-0 · Fax +44 (0)1827 31333-2
www.lutze.com · sales.gb@lutze.co.uk



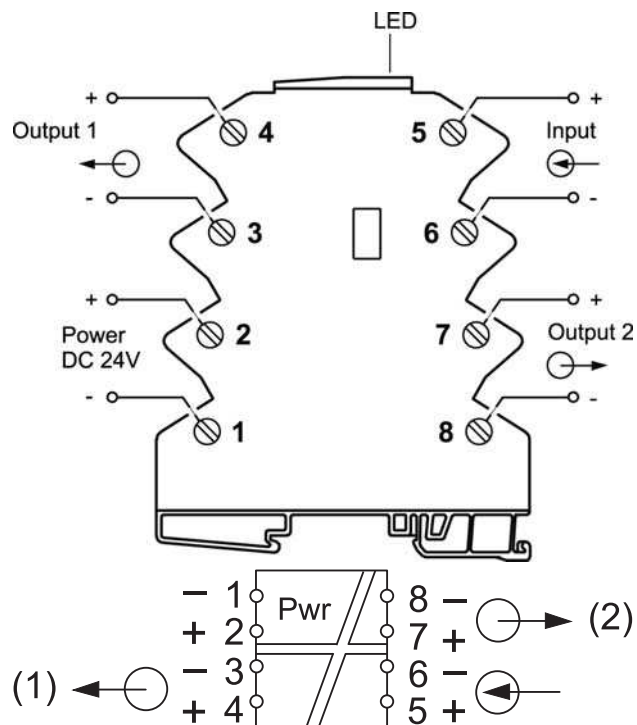
SYSTEMATIC TECHNOLOGY

Technical data sheet • Interface Technology

Dimensions



PIN assignment



25.08.2017 – Subject to technical modification

Part-No. 750321

USA: LUTZE INC.

13330 South Ridge Drive • Charlotte, NC 28273, USA

Tel. +1 (704) 504-0222 • Fax +1 (704) 504-0223

www.lutze.com • info@lutze.com

United Kingdom: LÜTZE Ltd.

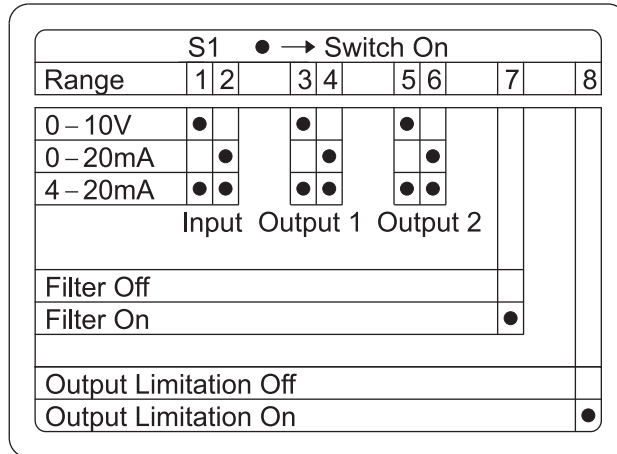
Unit 3, Sandy Hill Park

Sandy Way, Amington • GB-Tamworth, Staffs B77 4DU

Tel. +44 (0)1827 31333-0 • Fax +44 (0)1827 31333-2

www.lutze.com • sales.gb@lutze.co.uk

Range adjustment



See instruction leaflet for details

25.08.2017 – Subject to technical modification

Part-No. 750321

USA: LUTZE INC.

13330 South Ridge Drive • Charlotte, NC 28273, USA

Tel. +1 (704) 504-0222 • Fax +1 (704) 504-0223

www.lutze.com • info@lutze.com

United Kingdom: LÜTZE Ltd.

Unit 3, Sandy Hill Park

Sandy Way, Amington • GB-Tamworth, Staffs B77 4DU

Tel. +44 (0)1827 31333-0 • Fax +44 (0)1827 31333-2

www.lutze.com • sales.gb@lutze.co.uk



SYSTEMATIC TECHNOLOGY