



Identification	Type	LCON AALS DFDT 806210
	Part-No.	750322
Description	Input/output: 0–10 V, 0–20 mA, 4–20 mA, 2–10 mA, 0–5 V, 1–5 V, 2–10 V adjustable Output: switching transistor DC 30 V/100 mA adjustable (LiveZero) Insulation: 2.5 kV, 4-way isolation	
Input	Input variable Analogue signals Measurement input 0–10 V, 0–5 V, 1–5 V, 2–10 V, 0–20 mA, 4–20 mA, 2–10 mA, adjustable via software FDT/DTM, connection via micro USB Galvanic isolation I/O 4-way isolation Delay ON/OFF 5 ms–200 ms (adjustable by means of filter stage 1–5, default: 50 ms) Step response (10–90%) 10 ms – 500 ms (adjustable by means of filter stage 1–5, default: 100 ms) Parameterisation Software FDT/DTM DIP switch Zero /Span freely adjustable Input resistance 500 k Ω @ 0–10 V, 0–5 V, 1–5 V, 2–10 V, 100 Ω @ 0–20 mA, 4–20 mA, 2–10 mA	
Output	Output signal 0–10 V, 0–5 V, 1–5 V, 2–10 V, 0–20 mA, 4–20 mA, 2–10 mA, adjustable via software FDT/DTM, connection via micro USB	

25.08.2017 – Subject to technical modification

Part-No. 750322

USA: LUTZE INC.

13330 South Ridge Drive · Charlotte, NC 28273, USA

Tel. +1 (704) 504-0222 · Fax +1 (704) 504-0223

www.lutze.com · info@lutze.com

United Kingdom: LÜTZE Ltd.

Unit 3, Sandy Hill Park

Sandy Way, Amington · GB-Tamworth, Staffs B77 4DU

Tel. +44 (0)1827 31333-0 · Fax +44 (0)1827 31333-2

www.lutze.com · sales.gb@lutze.co.uk



Technical data sheet · Interface Technology

Contact type	Switching transistor non short-circuit proof
Max. switching voltage	DC 30 V
Max. switching current	DC 100 mA
Max. load impedance at I-output	400 Ω @ 0–20 mA, 4–20 mA, 2–10 mA
Max. load impedance at U-output	>2 kΩ @ 0–10 V, 0–5 V, 1–5 V, 2–10 V
Limitation for exceeding measurement range	yes, switchable
max. modulation range/output current	10.5 V @ 0–10 V, 0–5 V, 1–5 V, 2–10 V, 21 mA @ 0–20 mA, 4–20 mA, 2–10 mA
Status display output	LED yellow
Operating mode	Limit value, timeframe, tendency+, tendency-, tendency+/-, inversion, error memory
LiveZero	can be activated via switch and FDT/DTM
Residual ripple	<20 mV _{eff}
Parameterisation	Software FDT/DTM DIP switch

Operating data

Accuracy	0.1 % FSR
Linearity error	±0.1 % FSR

General

Rated voltage	DC 24 V
Operation voltage range	16.8–30 V
Rated current	13 mA
Status indication	LED green/red
Delay ON/OFF	5 ms–200 ms (adjustable by means of filter stage 1–5, default: 50 ms)
Input/output protection	Overvoltage DC 30 V
Temperature error	<150 ppm FSR
Data storage	Flash
Insulation voltage input / output	2.5 kV _{eff}
Resolution	16-bit
Configuration	Software: FDT / DTM
Housing material	PA 6.6 (UL 94 V-0)
Colour of the housing	light grey
Mounting	DIN rail mountable TS35 (EN 60715)
Protection class	IP20
Installation position	any
Connection device	Screw terminal 0.14 mm ² – 1.5 mm ²
Operation temperature range	-40 °C ... +70 °C
Storage temperature range	-40 °C ... +85 °C

25.08.2017 – Subject to technical modification

Part-No. 750322

USA: LUTZE INC.

13330 South Ridge Drive · Charlotte, NC 28273, USA
Tel. +1 (704) 504-0222 · Fax +1 (704) 504-0223
www.lutze.com · info@lutze.com

United Kingdom: LÜTZE Ltd.

Unit 3, Sandy Hill Park
Sandy Way, Amington · GB-Tamworth, Staffs B77 4DU
Tel. +44 (0)1827 31333-0 · Fax +44 (0)1827 31333-2
www.lutze.com · sales.gb@lutze.co.uk

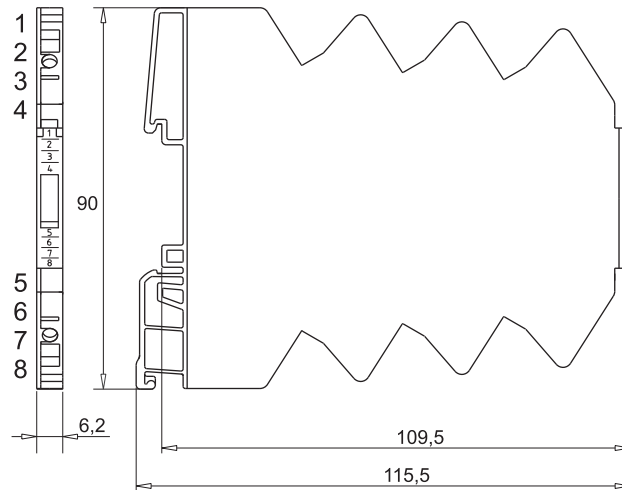


SYSTEMATIC TECHNOLOGY

Technical data sheet · Interface Technology

Dimensions (w × h × d)	6.2 × 90.0 × 115.0 mm
Weight	0.600 kg/piece
PU	1 piece
Approvals	cULus (E135145) Cl.1 Div2, Gr. A, B, C, D, T4A GL
Standards	EN 60947-5-1

Dimensions



25.08.2017 – Subject to technical modification

Part-No. 750322

USA: LUTZE INC.

13330 South Ridge Drive · Charlotte, NC 28273, USA
Tel. +1 (704) 504-0222 · Fax +1 (704) 504-0223
www.lutze.com · info@lutze.com

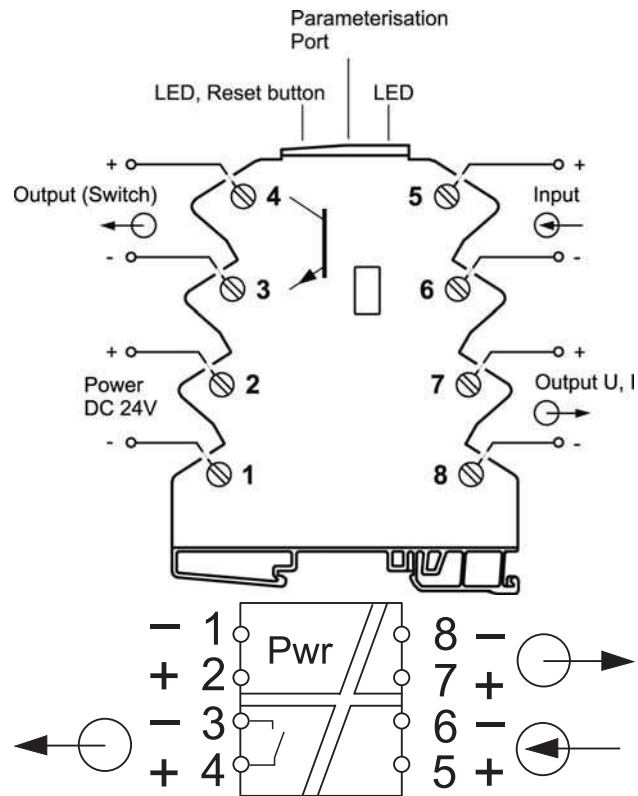
United Kingdom: LÜTZE Ltd.

Unit 3, Sandy Hill Park
Sandy Way, Amington · GB-Tamworth, Staffs B77 4DU
Tel. +44 (0)1827 31333-0 · Fax +44 (0)1827 31333-2
www.lutze.com · sales.gb@lutze.co.uk



SYSTEMATIC TECHNOLOGY

PIN assignment



25.08.2017 – Subject to technical modification

Part-No. 750322

USA: LUTZE INC.

13330 South Ridge Drive • Charlotte, NC 28273, USA

Tel. +1 (704) 504-0222 • Fax +1 (704) 504-0223

www.lutze.com • info@lutze.com

United Kingdom: LÜTZE Ltd.

Unit 3, Sandy Hill Park

Sandy Way, Amington • GB-Tamworth, Staffs B77 4DU

Tel. +44 (0)1827 31333-0 • Fax +44 (0)1827 31333-2

www.lutze.com • sales.gb@lutze.co.uk



SYSTEMATIC TECHNOLOGY

Range adjustment

S1 ● → Switch On								
Range	1	2	3	4	5	6	7	8
0 – 10V	●			●				
0 – 20mA		●			●			
4 – 20mA	●	●		●	●			
2 – 10mA			●					
0 – 5V	●		●					
1 – 5V		●	●					
2 – 10V	●	●	●					
	Input							
Live Zero Off								
Live Zero On								●
Filter Off								
Filter On								●
Output Limitation Off								
Output Limitation On								●

S1 1-8 off: FDT/DTM
See instruction leaflet
for details

25.08.2017 – Subject to technical modification

Part-No. 750322

USA: LUTZE INC.

13330 South Ridge Drive • Charlotte, NC 28273, USA

Tel. +1 (704) 504-0222 • Fax +1 (704) 504-0223

www.lutze.com • info@lutze.com

United Kingdom: LÜTZE Ltd.

Unit 3, Sandy Hill Park

Sandy Way, Amington • GB-Tamworth, Staffs B77 4DU

Tel. +44 (0)1827 31333-0 • Fax +44 (0)1827 31333-2

www.lutze.com • sales.gb@lutze.co.uk



SYSTEMATIC TECHNOLOGY