



<b>Identification</b>	Type	WTH 7-0833
	Part-No.	750833

**Input**

Measurement input	Type J (FeCuNi) according to DIN / IEC 584-1
Galvanic insulation I/O	2-way isolation
Temperature range	-50–200 °C / 0–400 °C / 0–600 °C – adjustable via switch
Transmission frequency	10 Hz
Input resistance	330 kΩ
Zero /Span	Production comparison

**Load Side**

	0/10 V	0–20 mA	4–20 mA
Max. load impedance at I-output		400 Ω	400 Ω
Max. load impedance at U-output	>1 kΩ		
Load impedance	55 Ω		
Output current	max. 21 mA		
Output signal	Adjustable via switch		
Ripple	<5 mV <sub>eff</sub>		

**General**

02.04.2016 – Subject to technical modification

Part-No. 750833

USA: LUTZE INC.

13330 South Ridge Drive • Charlotte, NC 28273, USA  
 Tel. +1 (704) 504-0222 • Fax +1 (704) 504-0223  
 www.lutze.com • info@lutze.com

United Kingdom: LUTZE Ltd.

Unit 3, Sandy Hill Park  
 Sandy Way, Amington • GB-Tamworth, Staffs B77 4DU  
 Tel. +44 (0)1827 31333-0 • Fax +44 (0)1827 31333-2  
 www.lutze.com • sales.gb@lutze.co.uk

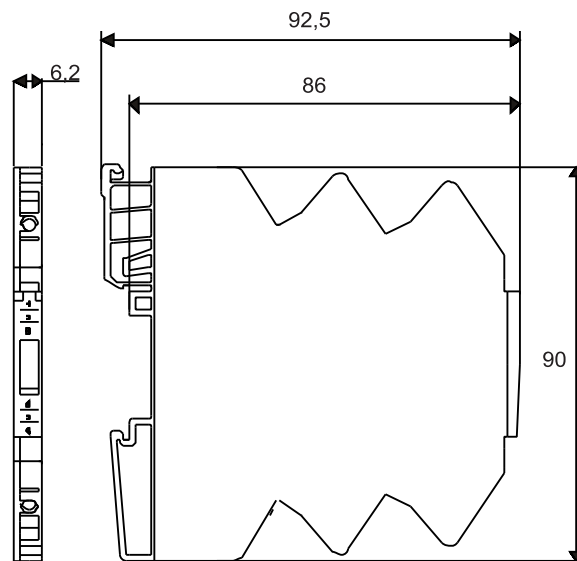


SYSTEMATIC TECHNOLOGY

## Technical data sheet · Interface Technology

Nominal voltage	AC/DC 24 V
Operation voltage range	DC: 16.8–30 V, AC: 19.2–28.8 V
Rated current	6.0 mA
Status Indication	LED yellow, blinks for wire break and output goes to a saturated state
Input/output protection	Overvoltage AC/DC 30 V, Output short circuit-proof
Accuracy	0.5 % + 2 K FSR
Linearity error	0.1 % FSR, thermoelectrical potential linear
Rise time (10 - 90%)	30 ms
Build-up time (Accuracy 1%)	60 ms
Temperature coefficient	150 ppm / K FSR
Insulation voltage input/output	1.5 kV <sub>eff</sub>
Housing material	PA 6.6 (UL 94 V-0)
Field installation	rail TS 35 (EN 50022)
Protection class	IP 20
Installation position	Optional
Termination	Screw terminal: 0.14–2.5 mm <sup>2</sup>
Operation temperature range	-25 °C – 60 °C
Storage temperature range	-40 °C – 85 °C
Dimensions (w × h × d)	6.2 × 90.0 × 92.5 mm
Weight (kg/piece)	0.030 kg/piece
Approvals	cULus, Class I, Div. 2, Groups A, B, C, D T4A
Standards	EN 60721-3-3, EN 55011, EN 61000-4-2/6, EN 50178, contamination level 2, Over voltage category III
PU	1

### Dimensions



02.04.2016 – Subject to technical modification

Part-No. 750833

USA: LUTZE INC.

13330 South Ridge Drive · Charlotte, NC 28273, USA  
Tel. +1 (704) 504-0222 · Fax +1 (704) 504-0223  
www.lutze.com · info@lutze.com

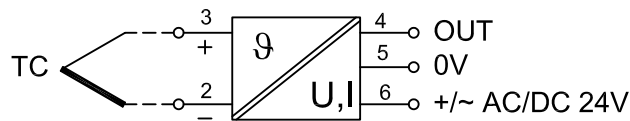
United Kingdom: LUTZE Ltd.

Unit 3, Sandy Hill Park  
Sandy Way, Amington · GB-Tamworth, Staffs B77 4DU  
Tel. +44 (0)1827 31333-0 · Fax +44 (0)1827 31333-2  
www.lutze.com · sales.gb@lutze.co.uk



SYSTEMATIC TECHNOLOGY

**PIN assignment**



**Range adjustment**

		● → Switch On					
		S1					
Range	Output	1	2	3	4	5	6
-50 – 200°C	0-10V						
-50 – 200°C	0-20mA	●					
-50 – 200°C	4-20mA		●				
0 – 400°C	0-10V	●	●				
0 – 400°C	0-20mA			●			
0 – 400°C	4-20mA	●		●			
0 – 600°C	0-10V		●	●			
0 – 600°C	0-20mA	●	●	●			
0 – 600°C	4-20mA					●	

**Accessories**

Accessories	Color	Article number	Type	PU
Tag holder 4×11 mm	white	681313	BZT-0411	100
Isolation plate		760809	TP 7-0809	5

**Accessories**

Accessories	Color	2-pole	3-pole	4-pole	8-pole	16-pole	PU
6 A jumper comb	red	762802	762805	762812	762822	762832	10
6 A jumper comb	white	762803	762806	762813	762823	762833	10
6 A jumper comb	blue	762804	762807	762814	762824	762834	10

02.04.2016 – Subject to technical modification

Part-No. 750833

USA: LUTZE INC.

13330 South Ridge Drive • Charlotte, NC 28273, USA

Tel. +1 (704) 504-0222 • Fax +1 (704) 504-0223

www.lutze.com • info@lutze.com

United Kingdom: LUTZE Ltd.

Unit 3, Sandy Hill Park

Sandy Way, Amington • GB-Tamworth, Staffs B77 4DU

Tel. +44 (0)1827 31333-0 • Fax +44 (0)1827 31333-2

www.lutze.com • sales.gb@lutze.co.uk



SYSTEMATIC TECHNOLOGY