



Identification	Type	WTHF 7-0871
	Part-No.	750871
Input		
	750831/751831	750871/751871
Measurement input	Type J (FeCuNi)	Type K (NiCrNi)
Measurement input	2-wire according to IEC 584-2	
Galvanic isolation I/O	3-way isolation	
Transmission frequency	10 Hz	
Input resistance	330 kΩ	
Zero /Span	Production comparison	
Load Side		
Output signal	0–50 Hz / 0–100 Hz / 0–1000 Hz / 0–10.000 Hz - adjustable via DIP switch S1	
Max. load impedance at U-output	≥2500 Ω, Output level ca. 10 V	
Load impedance	55 Ω	
Output current	21 mA	
Ripple	<5 mV _{eff}	
General		
Nominal voltage	C	
Nominal voltage	AC/DC 24 V	

20.04.2013 – Subject to technical modification

Part-No. 750871

USA: LUTZE INC.

13330 South Ridge Drive • Charlotte, NC 28273, USA
 Tel. +1 (704) 504-0222 • Fax +1 (704) 504-0223
 www.lutze.com • info@lutze.com

United Kingdom: LÜTZE Ltd.

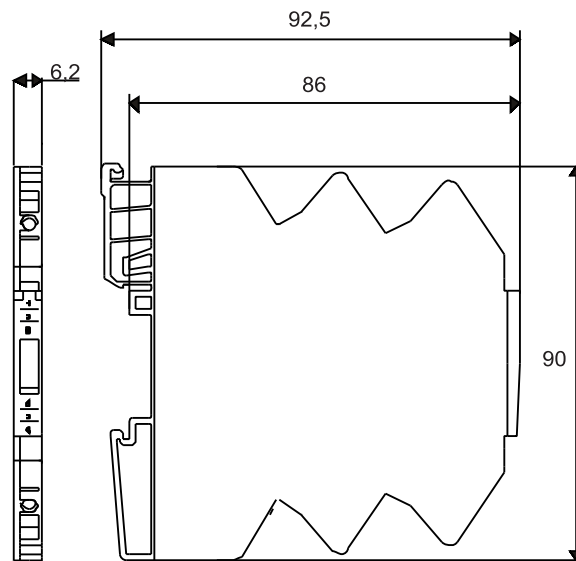
Unit 3, Sandy Hill Park
 Sandy Way, Amington • GB-Tamworth, Staffs B77 4DU
 Tel. +44 (0)1827 31333-0 • Fax +44 (0)1827 31333-2
 www.lutze.com • sales.gb@lutze.co.uk



Technical data sheet - Interface Technology

Operation voltage range	DC: 16.8–30 V; AC: 19.2–28.8 V
Rated current	13.0 mA
Status Indication	LED yellow
Input/output protection	Overvoltage AC/DC 30 V, Output short circuit-proof
Accuracy	0.5 % + 2K FSR
Linearity error	0.1 % FSR; thermoelectrical potential linear
Rise time (10 - 90%)	frequency-dependent
Transmission frequency	<30 Hz
Temperature coefficient	150 ppm / K FSR
Insulation voltage input/output	1.5 kV _{eff}
Housing material	PPE
Field installation	rail TS 35 (EN 50022)
Protection class	IP 20
Installation position	Optional
Termination	Screw terminal: 0.14–1.5 mm ²
Operation temperature range	-25 °C – 60 °C
Storage temperature range	-40 °C – 85 °C
Dimensions (w × h × d)	6.2×90.0×92.5 mm
Weight (kg/piece)	0.040 kg/piece
Approvals	cULus
Standards	EN 60721-3-3; EN 55011; EN 61000-4-2/6; EN 50178, contamination level 2, Over voltage category III
PU	1

Dimensions



20.04.2013 – Subject to technical modification

Part-No. 750871

USA: LUTZE INC.

13330 South Ridge Drive • Charlotte, NC 28273, USA
Tel. +1 (704) 504-0222 • Fax +1 (704) 504-0223
www.lutze.com • info@lutze.com

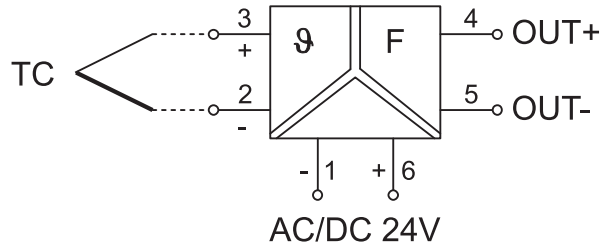
United Kingdom: LÜTZE Ltd.

Unit 3, Sandy Hill Park
Sandy Way, Amington • GB-Tamworth, Staffs B77 4DU
Tel. +44 (0)1827 31333-0 • Fax +44 (0)1827 31333-2
www.lutze.com • sales.gb@lutze.co.uk



SYSTEMATIC TECHNOLOGY

PIN assignment



Range adjustment

● → Switch On		S1					
Range	Output	1	2	3	4	5	6
0 - 200°C	0 - 50Hz						
0 - 200°C	0 - 100Hz		●				
0 - 200°C	0 - 1kHz			●			
0 - 200°C	0 - 10kHz		●	●			
0 - 400°C	0 - 50Hz				●		
0 - 400°C	0 - 100Hz		●		●		
0 - 400°C	0 - 1kHz			●	●		
0 - 400°C	0 - 10kHz		●	●	●		
0 - 600°C	0 - 50Hz					●	
0 - 600°C	0 - 100Hz		●			●	
0 - 600°C	0 - 1kHz			●		●	
0 - 600°C	0 - 10kHz		●	●		●	

Accessories

Accessories	Colour	Article number	Type	PU
Tag holder 4×11 mm	white	681313	BZT 0411	100
Isolation plate		760809	TP 7-0809	5
Labels for laser printer A4 unpunched		681031	LEB - A4	1
Labels for laser printer 4.23 x 11 mm (Sheet with 1056 labels)		681034	LEB 0411	1

Accessories

Accessories	Colour	2-pole	3-pole	4-pole	8-pole	16-pole	PU
Jumper comb 6A	red	762802	762805	762812	762822	762832	10
Jumper comb 6A	white	762803	762806	762813	762823	762833	10
Jumper comb 6A	blue	762804	762807	762814	762824	762834	10

20.04.2013 – Subject to technical modification

Part-No. 750871

USA: LUTZE INC.

13330 South Ridge Drive · Charlotte, NC 28273, USA
 Tel. +1 (704) 504-0222 · Fax +1 (704) 504-0223
 www.lutze.com · info@lutze.com

United Kingdom: LÜTZE Ltd.

Unit 3, Sandy Hill Park
 Sandy Way, Amington · GB-Tamworth, Staffs B77 4DU
 Tel. +44 (0)1827 31333-0 · Fax +44 (0)1827 31333-2
 www.lutze.com · sales.gb@lutze.co.uk



SYSTEMATIC TECHNOLOGY