



<b>Identification</b>	Type	WPT 7-0921
	Part-No.	750921
<b>Input</b>		
Measurement input	PT1000, 3-wire	
Galvanic isolation I/O	2-way isolation	
Temperature range	Setting according to customer order: -200°C...800°C. Please specify temperature range when ordering. Please observe: smallest temperature span 50°C, largest temperature span 500°C.	
Transmission frequency	10 Hz	
Input resistance	240 kΩ	
Sensor current	0.1 mA	
Zero /Span	Production comparison	
<b>Load Side</b>		
Output signal	0 – 10 V	
Max. load impedance at U-output	>1 kΩ	
Load impedance	55 Ω	
Output current	max. 21 mA	
Ripple	<5 mV <sub>eff</sub>	
<b>General</b>		
Nominal voltage	AC/DC 24 V	
Operation voltage range	DC: 16.8–30 V, AC: 19.2–28.8 V	

20.04.2013 – Subject to technical modification

Part-No. 750921

USA: LUTZE INC.

13330 South Ridge Drive • Charlotte, NC 28273, USA  
 Tel. +1 (704) 504-0222 • Fax +1 (704) 504-0223  
 www.lutze.com • info@lutze.com

United Kingdom: LÜTZE Ltd.

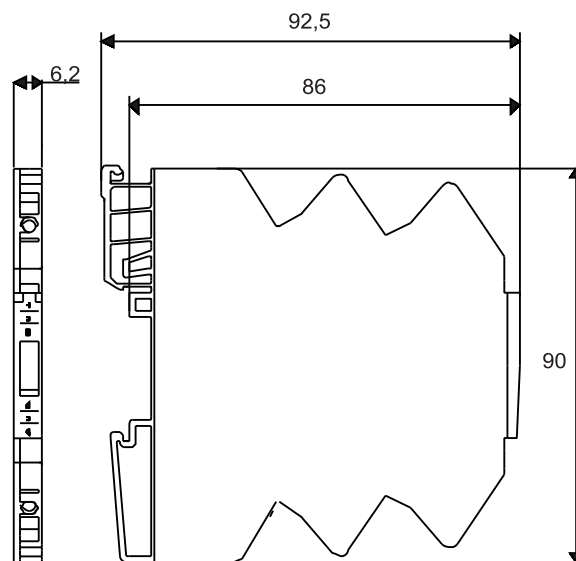
Unit 3, Sandy Hill Park  
 Sandy Way, Amington • GB-Tamworth, Staffs B77 4DU  
 Tel. +44 (0)1827 31333-0 • Fax +44 (0)1827 31333-2  
 www.lutze.com • sales.gb@lutze.co.uk



## Technical data sheet - Interface Technology

Rated current	8.0 mA
Status Indication	LED yellow, blinks for wire break and output goes to a saturated state
Input/output protection	Overvoltage AC/DC 30 V, Output short circuit-proof
Accuracy	0.3 % FSR
Linearity error	0.1 % FSR
Rise time (10 - 90%)	30 ms
Build-up time (Accuracy 1%)	60 ms
Error coefficient of measuring line	0.1 K + 0.1 %/Ω
Temperature coefficient	150 ppm / K FSR
Insulation voltage input/output	1.5 kV <sub>eff</sub>
Housing material	PPE
Field installation	rail TS 35 (EN 50022)
Protection class	IP 20
Installation position	Optional
Termination	Screw terminal: 0.14–2.5 mm <sup>2</sup>
Operation temperature range	-25 °C – 60 °C
Storage temperature range	-40 °C – 85 °C
Dimensions (w × h × d)	6.2×90.0×92.5 mm
Weight (kg/piece)	0.040 kg/piece
Approvals	UL, CSA
Standards	EN 60721-3-3; EN 55011; EN 61000-4-2/6; EN 50178, contamination level 2, Over voltage category III
PU	1

### Dimensions



20.04.2013 – Subject to technical modification

Part-No. 750921

USA: LUTZE INC.

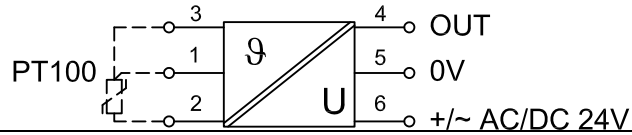
13330 South Ridge Drive • Charlotte, NC 28273, USA  
Tel. +1 (704) 504-0222 • Fax +1 (704) 504-0223  
www.lutze.com • info@lutze.com

United Kingdom: LÜTZE Ltd.

Unit 3, Sandy Hill Park  
Sandy Way, Amington • GB-Tamworth, Staffs B77 4DU  
Tel. +44 (0)1827 31333-0 • Fax +44 (0)1827 31333-2  
www.lutze.com • sales.gb@lutze.co.uk

# Technical data sheet - Interface Technology

## PIN assignment



## Accessories

Accessories	Colour	Article number	Type	PU
Tag holder 4×11 mm	white	681313	BZT 0411	100
Isolation plate		760809	TP 7-0809	5
Labels for laser printer A4 unpunched		681031	LEB - A4	1
Labels for laser printer 4.23 x 11 mm (Sheet with 1056 labels)		681034	LEB 0411	1

## Accessories

Accessories	Colour	2-pole	3-pole	4-pole	8-pole	16-pole	PU
Jumper comb 6A	red	762802	762805	762812	762822	762832	10
Jumper comb 6A	white	762803	762806	762813	762823	762833	10
Jumper comb 6A	blue	762804	762807	762814	762824	762834	10

20.04.2013 – Subject to technical modification

Part-No. 750921

USA: LUTZE INC.

13330 South Ridge Drive • Charlotte, NC 28273, USA  
 Tel. +1 (704) 504-0222 • Fax +1 (704) 504-0223  
 www.lutze.com • info@lutze.com

United Kingdom: LÜTZE Ltd.

Unit 3, Sandy Hill Park  
 Sandy Way, Amington • GB-Tamworth, Staffs B77 4DU  
 Tel. +44 (0)1827 31333-0 • Fax +44 (0)1827 31333-2  
 www.lutze.com • sales.gb@lutze.co.uk



SYSTEMATIC TECHNOLOGY