



<b>Identification</b>	Type	LCON AALS DFDT 806211
	Part-No.	751322
<b>Description</b>	Input/output: 0–10 V, 0–20 mA, 4–20 mA, 2–10 mA, 0–5 V, 1–5 V, 2–10 V adjustable Output: switching transistor DC 30 V/100 mA adjustable (LiveZero) Insulation: 2.5 kV, 4-way isolation	
<b>Input</b>		
Measurement input	0–10 V, 0–5 V, 1–5 V, 2–10 V, 0–20 mA, 4–20 mA, 2–10 mA, adjustable via software FDT/DTM, connection via micro USB	
Galvanic isolation I/O	4-way isolation	
Delay ON/OFF	5 ms–200 ms (adjustable by means of filter stage 1–5, default: 50 ms)	
Step response (10–90%)	10 ms – 500 ms (adjustable by means of filter stage 1–5, default: 100 ms)	
Zero /Span	freely adjustable	
Input resistance	500 kΩ @ 0–10 V, 0–5 V, 1–5 V, 2–10 V, 100 Ω @ 0–20 mA, 4–20 mA, 2–10 mA	
<b>Output</b>		
Output signal	0–10 V, 0–5 V, 1–5 V, 2–10 V, 0–20 mA, 4–20 mA, 2–10 mA, adjustable via software FDT/DTM, connection via micro USB	
Contact type	Switching transistor non short-circuit proof	
Max. switching voltage	DC 30 V	
Max. switching current	DC 100 mA	

25.08.2017 – Subject to technical modification

Part-No. 751322

USA: LUTZE INC.

13330 South Ridge Drive • Charlotte, NC 28273, USA  
 Tel. +1 (704) 504-0222 • Fax +1 (704) 504-0223  
 www.lutze.com • info@lutze.com

United Kingdom: LÜTZE Ltd.

Unit 3, Sandy Hill Park  
 Sandy Way, Amington • GB-Tamworth, Staffs B77 4DU  
 Tel. +44 (0)1827 31333-0 • Fax +44 (0)1827 31333-2  
 www.lutze.com • sales.gb@lutze.co.uk



SYSTEMATIC TECHNOLOGY

## Technical data sheet • Interface Technology

Max. load impedance at I-output	400 $\Omega$ @ 0–20 mA, 4–20 mA, 2–10 mA
Max. load impedance at U-output	>2 k $\Omega$ @ 0–10 V, 0–5 V, 1–5 V, 2–10 V
Limitation for exceeding measurement range	yes, switchable
max. modulation range/output current	10.5 V @ 0–10 V, 0–5 V, 1–5 V, 2–10 V, 21 mA @ 0–20 mA, 4–20 mA, 2–10 mA
Status display output	LED yellow
Operating mode	Limit value, timeframe, tendency+, tendency-, tendency+/-, inversion, error memory
LiveZero	can be activated via switch and FDT/DTM
Residual ripple	<20 mV <sub>eff</sub>

### Operating data

Accuracy	0.1 % FSR
Linearity error	$\pm 0.1$ % FSR

### General

Rated voltage	DC 24 V
Operation voltage range	16.8–30 V
Rated current	13 mA
Status indication	LED green/red
Delay ON/OFF	5 ms–200 ms (adjustable by means of filter stage 1–5, default: 50 ms)
Input/output protection	Overvoltage DC 30 V
Temperature error	<150 ppm FSR
Data storage	Flash
Insulation voltage input / output	2.5 kV <sub>eff</sub>
Resolution	16-bit
Configuration	Software: FDT / DTM
Housing material	PA 6.6 (UL 94 V-0)
Colour of the housing	light grey
Mounting	DIN rail mountable TS35 (EN 60715)
Protection class	IP20
Installation position	any
Connection device	Spring terminal 0.14 mm <sup>2</sup> – 1.5 mm <sup>2</sup>
Operation temperature range	-40 °C ... +70 °C
Storage temperature range	-40 °C ... +85 °C
Dimensions (w × h × d)	6.2 × 90.0 × 115.0 mm
Weight	0.600 kg/piece
PU	1 piece
Approvals	cULus (E135145) Cl.1 Div2, Gr. A, B, C, D, T4A GL

25.08.2017 – Subject to technical modification

Part-No. 751322

USA: LUTZE INC.

13330 South Ridge Drive • Charlotte, NC 28273, USA  
Tel. +1 (704) 504-0222 • Fax +1 (704) 504-0223  
www.lutze.com • info@lutze.com

United Kingdom: LÜTZE Ltd.

Unit 3, Sandy Hill Park  
Sandy Way, Amington • GB-Tamworth, Staffs B77 4DU  
Tel. +44 (0)1827 31333-0 • Fax +44 (0)1827 31333-2  
www.lutze.com • sales.gb@lutze.co.uk



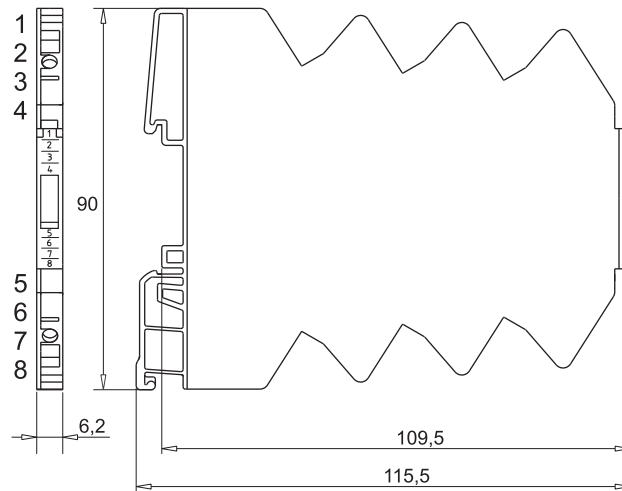
SYSTEMATIC TECHNOLOGY

# Technical data sheet · Interface Technology

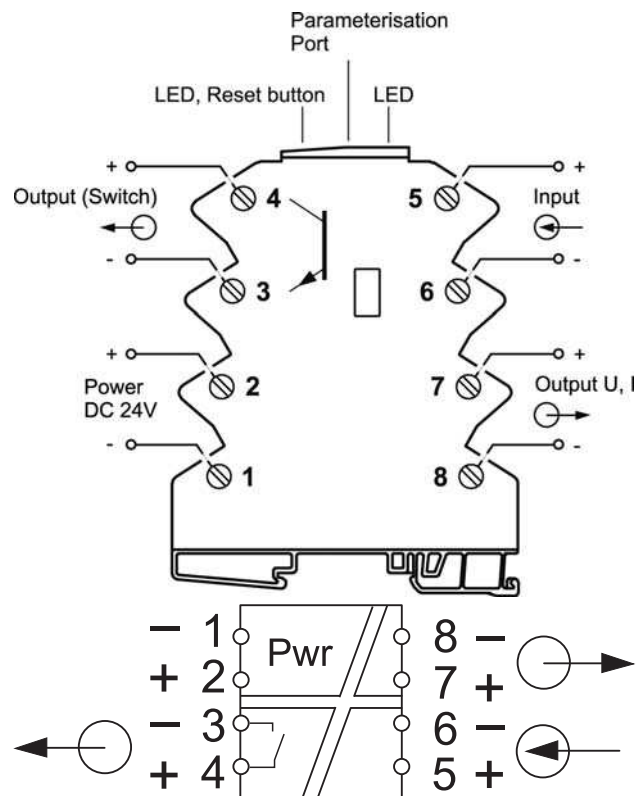
Standards

EN 60947-5-1

## Dimensions



## PIN assignment



25.08.2017 – Subject to technical modification

Part-No. 751322

USA: LUTZE INC.

13330 South Ridge Drive · Charlotte, NC 28273, USA

Tel. +1 (704) 504-0222 · Fax +1 (704) 504-0223

www.lutze.com · info@lutze.com

United Kingdom: LÜTZE Ltd.

Unit 3, Sandy Hill Park

Sandy Way, Amington · GB-Tamworth, Staffs B77 4DU

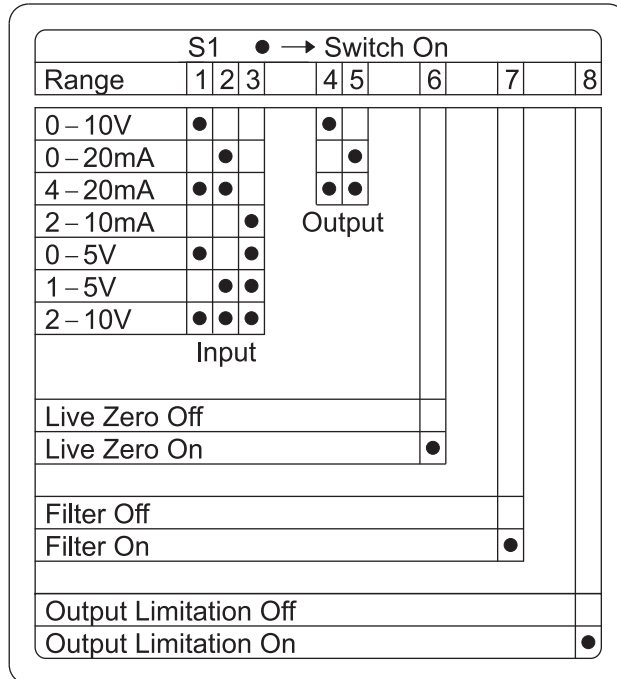
Tel. +44 (0)1827 31333-0 · Fax +44 (0)1827 31333-2

www.lutze.com · sales.gb@lutze.co.uk



SYSTEMATIC TECHNOLOGY

**Range adjustment**



S1 1-8 off: FDT/DTM  
See instruction leaflet  
for details

25.08.2017 – Subject to technical modification

Part-No. 751322

USA: LUTZE INC.

13330 South Ridge Drive • Charlotte, NC 28273, USA

Tel. +1 (704) 504-0222 • Fax +1 (704) 504-0223

www.lutze.com • info@lutze.com

United Kingdom: LÜTZE Ltd.

Unit 3, Sandy Hill Park

Sandy Way, Amington • GB-Tamworth, Staffs B77 4DU

Tel. +44 (0)1827 31333-0 • Fax +44 (0)1827 31333-2

www.lutze.com • sales.gb@lutze.co.uk



SYSTEMATIC TECHNOLOGY