



Identification	Type	LCON TA DFDT 806211
	Part-No.	751340
Description	Input: PT, thermocouple, potentiometer – adjustable temperature converter Output: 0–20 mA / 4–20 mA / 0–10 V / -10–10 V / 2–10 V / 0–5 V / 1–5 V Insulation: 2.5 kV, 3-way isolation	
Input		
Input variable	PT100 2/3/4 conductor PT1000 Resistor Type B Type C Type E Type J Type K Type N Type R Type S Type T	
Measurement input	PT100, PT1000, potentiometer 0–100 k Ω , Thermal elements: Type B, C, E, J, K, N, R, S, T Customer-specific via support points, polynomial	
Galvanic isolation I/O	3-way isolation	

25.08.2017 – Subject to technical modification

Part-No. 751340

USA: LUTZE INC.

13330 South Ridge Drive · Charlotte, NC 28273, USA
 Tel. +1 (704) 504-0222 · Fax +1 (704) 504-0223
 www.lutze.com · info@lutze.com

United Kingdom: LÜTZE Ltd.

Unit 3, Sandy Hill Park
 Sandy Way, Amington · GB-Tamworth, Staffs B77 4DU
 Tel. +44 (0)1827 31333-0 · Fax +44 (0)1827 31333-2
 www.lutze.com · sales.gb@lutze.co.uk



SYSTEMATIC TECHNOLOGY

Technical data sheet · Interface Technology

Step response (10–90%)	TE: 10 – 750 ms, PT: 5 – 750 ms (adjustable by means of filter stage 1–5, default: 200 ms – filter stage 4)
Temperature range	PT, potentiometer, resistance: -220 ... 850 °C depending on type Thermal elements: -210 ... 2310 °C depending on type
Parameterisation	Software FDT/DTM DIP switch
Input resistance	Thermocouples: 1 M Ω
Sensor current	PT, potentiometer, resistance: 0.2/0.6 mA depending on type
Circuit	PT - 2, 3, 4-wire, for 2-wire with offset correction, no external bridges necessary, autom. detection

Output

Output signal	0–10 V, -10–10 V, 0–20 mA, 4–20 mA adjustable via switch and software FDT/DTM, connection via USB service cable
Max. load impedance at I-output	700 Ω @ 0–20 mA, 4–20 mA
Max. load impedance at U-output	>2 k Ω @ 0–10 V, -10–10 V
Limitation for exceeding measurement range	10.25 V @ 0–10 V, -10–10 V, 20.5 mA @ 0–20 mA, 4–20 mA
max. modulation range/output current	10.5 V @ 0–10 V, -10–10 V, 21 mA @ 0–20 mA, 4–20 mA
Parameterisation	Software FDT/DTM DIP switch

Operating data

Accuracy	PT, potentiometer, resistance: 10 K, set measuring range (K) + 0.2 % FSR Thermocoupling: 10 K, set measuring range (K) + 0.4 % FSR
Linearity error	± 0.1 % FSR

General

Rated voltage	DC 24 V
Operation voltage range	16.8–30 V
Rated current	approx. 18 mA
Status indication	LED green, red (error)
Input/output protection	Overvoltage DC 30 V, short circuit-proof output
Temperature error	<100 ppm/K
Data storage	Flash
Insulation voltage input / output	2.5 kV _{eff}
Resolution	16-bit
Temperaturcompensation intern	Thermal elements: type ± 1 K, max. ± 2 K
Configuration	Switch and software: FDT / DTM
Housing material	PA 6.6 (UL 94 V-0)
Colour of the housing	light grey
Mounting	DIN rail mountable TS35 (EN 60715)

25.08.2017 – Subject to technical modification

Part-No. 751340

USA: LUTZE INC.

13330 South Ridge Drive · Charlotte, NC 28273, USA

Tel. +1 (704) 504-0222 · Fax +1 (704) 504-0223

www.lutze.com · info@lutze.com

United Kingdom: LÜTZE Ltd.

Unit 3, Sandy Hill Park

Sandy Way, Amington · GB-Tamworth, Staffs B77 4DU

Tel. +44 (0)1827 31333-0 · Fax +44 (0)1827 31333-2

www.lutze.com · sales.gb@lutze.co.uk

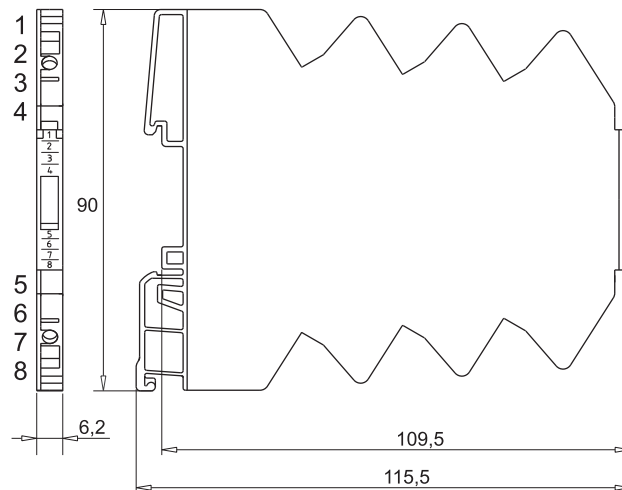


SYSTEMATIC TECHNOLOGY

Technical data sheet · Interface Technology

Protection class	IP20
Installation position	any
Connection device	Spring terminal 0.14 mm ² – 1.5 mm ²
Operation temperature range	-40 °C ... +70 °C
Storage temperature range	-40 °C ... +85 °C
Dimensions (w × h × d)	6.2 × 90.0 × 115.5 mm
Weight	0.050 kg/piece
PU	1 piece
Approvals	cULus (E135145) Cl.1 Div2, Gr. A, B, C, D, T4A GL
Standards	EN 60947-5-1

Dimensions



25.08.2017 – Subject to technical modification

Part-No. 751340

USA: LUTZE INC.

13330 South Ridge Drive · Charlotte, NC 28273, USA
Tel. +1 (704) 504-0222 · Fax +1 (704) 504-0223
www.lutze.com · info@lutze.com

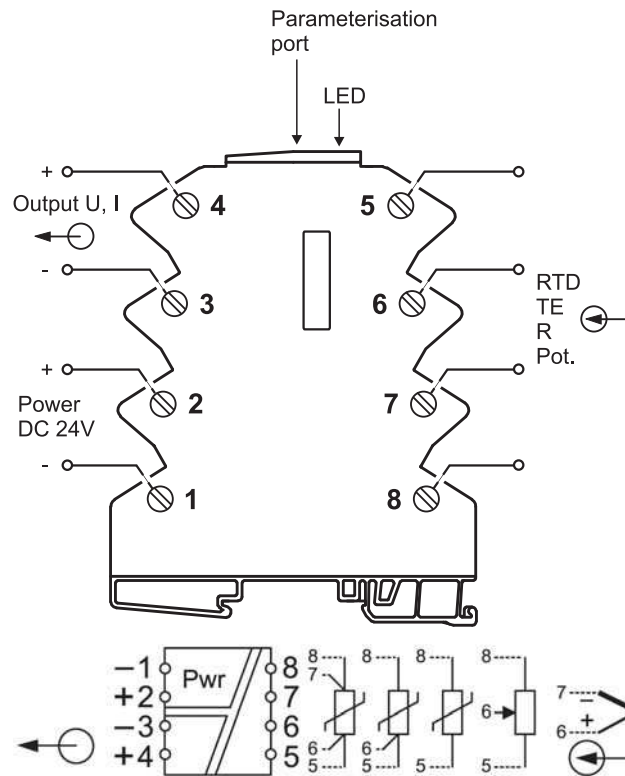
United Kingdom: LÜTZE Ltd.

Unit 3, Sandy Hill Park
Sandy Way, Amington · GB-Tamworth, Staffs B77 4DU
Tel. +44 (0)1827 31333-0 · Fax +44 (0)1827 31333-2
www.lutze.com · sales.gb@lutze.co.uk



SYSTEMATIC TECHNOLOGY

PIN assignment



25.08.2017 – Subject to technical modification

Part-No. 751340

USA: LUTZE INC.

13330 South Ridge Drive • Charlotte, NC 28273, USA
 Tel. +1 (704) 504-0222 • Fax +1 (704) 504-0223
 www.lutze.com • info@lutze.com

United Kingdom: LÜTZE Ltd.

Unit 3, Sandy Hill Park
 Sandy Way, Amington • GB-Tamworth, Staffs B77 4DU
 Tel. +44 (0)1827 31333-0 • Fax +44 (0)1827 31333-2
 www.lutze.com • sales.gb@lutze.co.uk

Range adjustment

Range*	S1				S2							
Start	7	8	1	2	End	3	4	5	6	7	8	
-200°C	●				0°C	●						
-150°C	●	●			50°C		●	●				
-100°C	●		●		100°C	●	●		●			
-50°C		●		●	150°C	●		●	●			
0°C	●	●	●	●	200°C	●	●	●	●			
					250°C	●					●	
					300°C	●	●				●	
					350°C	●		●			●	
					400°C	●	●	●			●	
					450°C	●			●	●		
					500°C	●	●		●	●		
					550°C	●		●	●	●		
					600°C	●	●	●	●	●		
					650°C	●					●	
					700°C	●	●				●	
					750°C	●		●			●	
					800°C	●	●	●			●	
					850°C	●			●		●	
					900°C	●	●		●		●	
					950°C	●		●	●		●	
					1000°C	●	●	●	●		●	
					1050°C	●				●	●	
					1100°C	●	●			●	●	
					1150°C	●		●		●	●	
					1200°C	●	●	●		●	●	
					1250°C	●			●	●	●	
					1300°C	●	●		●	●	●	
					1350°C	●		●	●	●	●	
					1400°C	●	●	●	●	●	●	
● → Switch On												

S1-S2 1-8 off:
FDT/DTM

*See instruction
leaflet

25.08.2017 – Subject to technical modification

Part-No. 751340

USA: LUTZE INC.

13330 South Ridge Drive • Charlotte, NC 28273, USA

Tel. +1 (704) 504-0222 • Fax +1 (704) 504-0223

www.lutze.com • info@lutze.com

United Kingdom: LÜTZE Ltd.

Unit 3, Sandy Hill Park

Sandy Way, Amington • GB-Tamworth, Staffs B77 4DU

Tel. +44 (0)1827 31333-0 • Fax +44 (0)1827 31333-2

www.lutze.com • sales.gb@lutze.co.uk



SYSTEMATIC TECHNOLOGY