



Identification	Type	WAA 6-1516
	Part-No.	751516

Input

	mV, V	mA
Input signal	0–60, 0–100, 0–300, 0–500 mV 0–1, 0–2, 0–5, 0–10, 0–20, 2–10 V adjustable via DIP switch S1	0–5, 0–10, 0–20, 4–20, ±5, ±20 mA adjustable via DIP switch S1
Input resistance	330 kΩ	100 Ω
Galvanic isolation I/O	3-way isolation	
Zero /Span	Production comparison	
Transmission frequency	30 Hz at 3 dB	

Load Side

	0 – 10 V	0–20 mA	4–20 mA
	>1 kΩ	400 Ω	400 Ω
	55		
Output signal	max. 21 mA		
Ripple	Adjustable via switch		
	<5 mV _{eff}		

25.09.2014 – Subject to technical modification

Part-No. 751516

USA: LUTZE INC.

13330 South Ridge Drive · Charlotte, NC 28273, USA
 Tel. +1 (704) 504-0222 · Fax +1 (704) 504-0223
 www.lutze.com · info@lutze.com

United Kingdom: LÜTZE Ltd.

Unit 3, Sandy Hill Park
 Sandy Way, Amington · GB-Tamworth, Staffs B77 4DU
 Tel. +44 (0)1827 31333-0 · Fax +44 (0)1827 31333-2
 www.lutze.com · sales.gb@lutze.co.uk

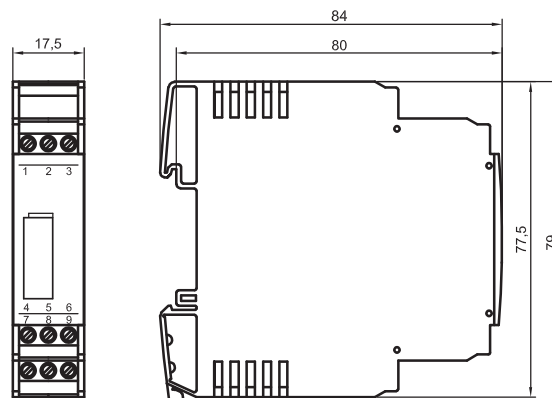


SYSTEMATIC TECHNOLOGY

General

Nominal voltage	AC/DC 24 V
Operation voltage range	DC: 16,8–30 V, AC: 19,2–28,8 V
Rated current	12.0 mA
Status Indication	LED yellow
Input/output protection	Overvoltage AC/DC 30 V; Current input with PTC, Output short circuit-proof
Accuracy	0.1 % FSR (23 °C)
Linearity error	0.02 %
Rise time (10 - 90%)	10 ms
Build-up time (Accuracy 1%)	30 ms
Transmission frequency	<30 Hz
Temperature coefficient	<150 ppm / K FSR
Insulation voltage input/output	4.0 kV _{eff}
Housing material	PPE
Field installation	rail TS 35 (EN 50022)
Protection class	IP 20
Installation position	Optional
Termination	Spring terminal 0.14–1.5 mm ²
Operation temperature range	-25 °C – 60 °C
Storage temperature range	-40 °C – 85 °C
Dimensions (w × h × d)	6.2 × 79.0 × 84.0 mm
Weight (kg/piece)	0.070 kg/piece
Approvals	cULus, Class I, Div. 2, Groups A, B, C, D T4A

Dimensions



25.09.2014 – Subject to technical modification

Part-No. 751516

USA: LUTZE INC.

13330 South Ridge Drive • Charlotte, NC 28273, USA

Tel. +1 (704) 504-0222 • Fax +1 (704) 504-0223

www.lutze.com • info@lutze.com

United Kingdom: LÜTZE Ltd.

Unit 3, Sandy Hill Park

Sandy Way, Amington • GB-Tamworth, Staffs B77 4DU

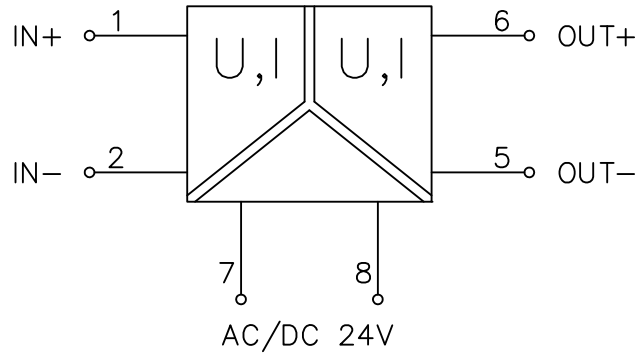
Tel. +44 (0)1827 31333-0 • Fax +44 (0)1827 31333-2

www.lutze.com • sales.gb@lutze.co.uk



SYSTEMATIC TECHNOLOGY

PIN assignment



Range adjustment

S1			
Input	Pos.	Input	Pos.
0 - 60mV	0	0 - 20V	8
0 - 100mV	1	2 - 10V	9
0 - 300mV	2	0 - 5mA	A
0 - 500mV	3	0 - 10mA	B
0 - 1V	4	0 - 20mA	C
0 - 2V	5	4 - 20mA	D
0 - 5V	6	±5mA	E
0 - 10V	7	±20mA	F

● → Switch On	S2			
Output	1	2	3	4
0-10V	●			
0-20mA		●		
4-20mA			●	

Accessories

25.09.2014 – Subject to technical modification

Part-No. 751516

USA: LUTZE INC.

13330 South Ridge Drive • Charlotte, NC 28273, USA

Tel. +1 (704) 504-0222 • Fax +1 (704) 504-0223

www.lutze.com • info@lutze.com

United Kingdom: LÜTZE Ltd.

Unit 3, Sandy Hill Park

Sandy Way, Amington • GB-Tamworth, Staffs B77 4DU

Tel. +44 (0)1827 31333-0 • Fax +44 (0)1827 31333-2

www.lutze.com • sales.gb@lutze.co.uk



SYSTEMATIC TECHNOLOGY

Technical data sheet - Interface Technology

Accessories	Colour	Article number	Type	PU
Tag holder 7×20 mm	white	760968	BZT-0720	100
Laser printer label 6.35×15.24 mm (sheet with 528 labels)		681033	LEB-0615	1

25.09.2014 – Subject to technical modification

Part-No. 751516

USA: LUTZE INC.

13330 South Ridge Drive • Charlotte, NC 28273, USA

Tel. +1 (704) 504-0222 • Fax +1 (704) 504-0223

www.lutze.com • info@lutze.com

United Kingdom: LÜTZE Ltd.

Unit 3, Sandy Hill Park

Sandy Way, Amington • GB-Tamworth, Staffs B77 4DU

Tel. +44 (0)1827 31333-0 • Fax +44 (0)1827 31333-2

www.lutze.com • sales.gb@lutze.co.uk



SYSTEMATIC TECHNOLOGY