



Identification	Type	WNFA 6-1524
	Part-No.	751524

Input

Input signal	0–100, 0–200, 0–250, 0–400, 0–500, 0–750 Hz 0–1, 0–1,5, 0–2, 0–2,5, 0–3, 0–4, 0–5, 0–6, 0–8 kHz 0–10, 0–12, 0–16, 0–20, 0–24, 0–28,8 kHz adjustable via switch
Galvanic insulation I/O	3-way isolation
Frequency signal	AC/DC 0.8–30 V
Input characteristic impedance	50 kΩ
Hysteresis	0.5 V _{ss} / 5 V _{ss} , can be converted via switch
Pulse width	min. 10 μs

Load Side

	0/10 V	0–20 mA	4–20 mA
Max. load impedance at I-output		400 Ω	400 Ω
Max. load impedance at U-output	>1 kΩ		
Load impedance	55		
Output current	max. 21 mA		
Output signal	Adjustable via switch		

02.04.2016 – Subject to technical modification

Part-No. 751524

USA: LUTZE INC.

13330 South Ridge Drive • Charlotte, NC 28273, USA
Tel. +1 (704) 504-0222 • Fax +1 (704) 504-0223
www.lutze.com • info@lutze.com

United Kingdom: LUTZE Ltd.

Unit 3, Sandy Hill Park
Sandy Way, Amington • GB-Tamworth, Staffs B77 4DU
Tel. +44 (0)1827 31333-0 • Fax +44 (0)1827 31333-2
www.lutze.com • sales.gb@lutze.co.uk



SYSTEMATIC TECHNOLOGY

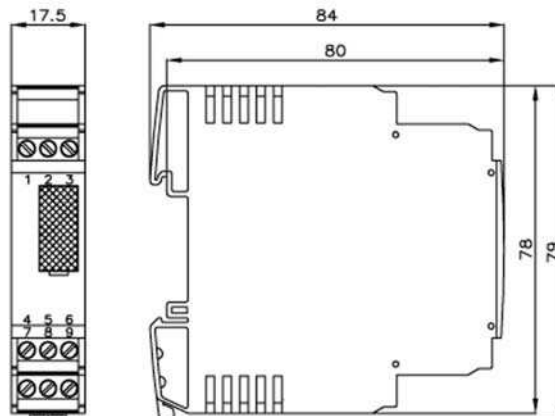
Technical data sheet · Interface Technology

Ripple <5 mV_{eff}

General

Nominal voltage	AC/DC 24 V
Operation voltage range	DC: 16,8–30 V, AC: 19,2–28,8 V
Rated current	12.0 mA
Status Indication	LED yellow
Input/output protection	AC/DC 30 V overvoltage, short circuit-proof output
Accuracy	0.1 % FSR (23 °C)
Linearity error	0.02 %
Ripple	approx. 0.1%, range 2...28.8 kHz from 200 Hz
Build-up time (Accuracy 1%)	200 ms
Temperature coefficient	70 ppm / K
Insulation voltage input/output	4.0 kV _{eff}
Housing material	PPE
Field installation	rail TS 35 (EN 50022)
Protection class	IP 20
Installation position	Optional
Termination	Spring terminal 0.14–1.5 mm ²
Operation temperature range	-25 °C – 60 °C
Storage temperature range	-40 °C – 85 °C
Dimensions (w × h × d)	17.5 × 79.0 × 84.0 mm
Weight (kg/piece)	0.070 kg/piece

Dimensions



02.04.2016 – Subject to technical modification

Part-No. 751524

USA: LUTZE INC.

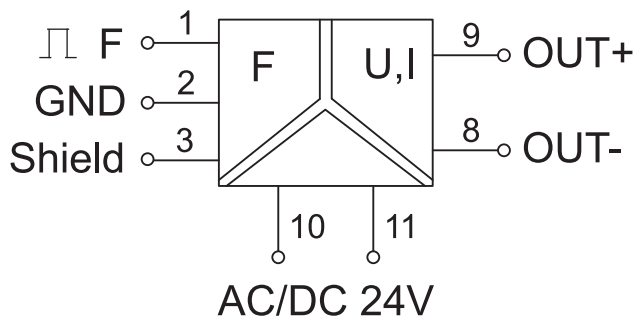
13330 South Ridge Drive · Charlotte, NC 28273, USA
Tel. +1 (704) 504-0222 · Fax +1 (704) 504-0223
www.lutze.com · info@lutze.com

United Kingdom: LUTZE Ltd.

Unit 3, Sandy Hill Park
Sandy Way, Amington · GB-Tamworth, Staffs B77 4DU
Tel. +44 (0)1827 31333-0 · Fax +44 (0)1827 31333-2
www.lutze.com · sales.gb@lutze.co.uk

Technical data sheet · Interface Technology

PIN assignment



Range adjustment

S2 ● → Switch On														
Range*	1	2	3	4	5	6	8	Range*	1	2	3	4	5	6
0 – 100Hz	●	●	●	●				0 – 5kHz	●			●	●	
0 – 200Hz	●	●	●		●	●		0 – 6kHz		●		●	●	
0 – 250Hz	●	●			●	●		0 – 8kHz	●	●		●	●	
0 – 400Hz	●	●	●		●			0 – 10kHz	●			●	●	
0 – 500Hz	●	●			●			0 – 12kHz		●		●	●	
0 – 750Hz	●				●			0 – 16kHz	●	●				
0 – 1kHz	●	●				●		0 – 20kHz	●					
0 – 1.5kHz		●				●		0 – 24kHz		●				
0 – 2kHz	●	●			●	●		0 – 28.8kHz						
0 – 2.5kHz	●				●	●								
0 – 3kHz		●			●	●								
0 – 4kHz	●	●			●	●								
Hysteresis	0.5Vpp							5Vpp						●

*see instruction leaflet

● → Switch On	S1		
Output	1	2	3
0-10V	●		
0-20mA		●	
4-20mA			●

Accessories

Accessories	Color	Article number	Type	PU
Tag holder 7×20 mm	white	760968	BZT-0720	100
Laser printer label 6.35×15.24 mm (sheet with 528 labels)		681033	LEB-0615	1

02.04.2016 – Subject to technical modification

Part-No. 751524

USA: LUTZE INC.

13330 South Ridge Drive · Charlotte, NC 28273, USA

Tel. +1 (704) 504-0222 · Fax +1 (704) 504-0223

www.lutze.com · info@lutze.com

United Kingdom: LUTZE Ltd.

Unit 3, Sandy Hill Park

Sandy Way, Amington · GB-Tamworth, Staffs B77 4DU

Tel. +44 (0)1827 31333-0 · Fax +44 (0)1827 31333-2

www.lutze.com · sales.gb@lutze.co.uk



SYSTEMATIC TECHNOLOGY