



Identification	Type	WTH 7-1873		
	Part-No.	751873		
Input				
Measurement input	Type K (NiCrNi) with DIN / IEC 584-1			
Galvanic isolation I/O	2-way isolation			
Temperature range	-50–200 °C / 0–400 °C / 0–600 °C – adjustable via switch			
Transmission frequency	10 Hz			
Input resistance	330 kΩ			
Zero /Span	Production comparison			
Load Side				
	0/10 V	0–20 mA	4–20 mA	
Max. load impedance at I-output		400 Ω	400 Ω	
Max. load impedance at U-output	>1 kΩ			
Load impedance	55 Ω	–	–	
Output current	max. 21 mA			
Output signal	Adjustable via switch			
Ripple	<5 mV _{eff}			
General				
Nominal voltage	AC/DC 24 V			

14.08.2014 – Subject to technical modification

Part-No. 751873

USA: LUTZE INC.

13330 South Ridge Drive · Charlotte, NC 28273, USA
 Tel. +1 (704) 504-0222 · Fax +1 (704) 504-0223
 www.lutze.com · info@lutze.com

United Kingdom: LÜTZE Ltd.

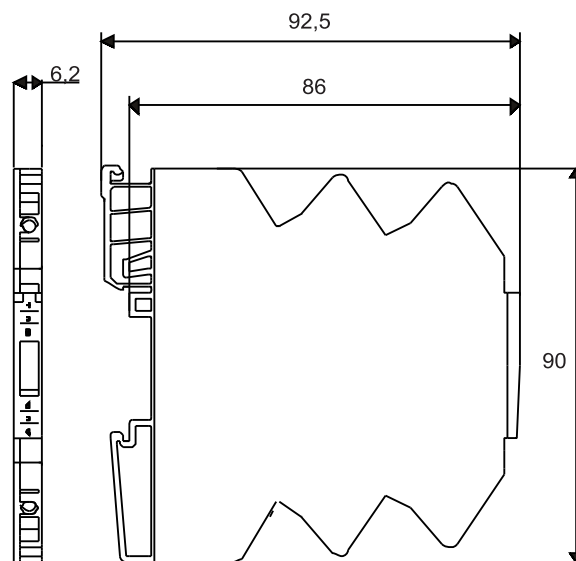
Unit 3, Sandy Hill Park
 Sandy Way, Amington · GB-Tamworth, Staffs B77 4DU
 Tel. +44 (0)1827 31333-0 · Fax +44 (0)1827 31333-2
 www.lutze.com · sales.gb@lutze.co.uk



Technical data sheet - Interface Technology

Operation voltage range	DC: 16,8–30 V, AC: 19,2–28,8 V
Rated current	8.0 mA
Status Indication	LED yellow, flashes in the event of wire breakage and output will saturate.
Input/output protection	Overvoltage AC/DC 30 V, Output short circuit-proof
Accuracy	0.5 % + 2 K FSR
Linearity error	0.1 % FSR, thermoelectrical potential linear
Rise time (10 - 90%)	30 ms
Build-up time (Accuracy 1%)	60 ms
Temperature coefficient	150 ppm / K FSR
Insulation voltage input/output	1.5 kV _{eff}
Housing material	PA 6.6 (UL 94 V-0)
Field installation	rail TS 35 (EN 50022)
Protection class	IP 20
Installation position	Optional
Termination	Spring terminal 0.14–2.5 mm ²
Operation temperature range	-25 °C – 60 °C
Storage temperature range	-40 °C – 85 °C
Dimensions (w × h × d)	6.2 × 90.0 × 92.5 mm
Weight (kg/piece)	0.030 kg/piece
Approvals	cULus, Class I, Div. 2, Groups A, B, C, D T4A
Standards	EN 60721-3-3, EN 55011, EN 61000-4-2/6, EN 50178, contamination level 2, Over voltage category III
PU	1

Dimensions



14.08.2014 – Subject to technical modification

Part-No. 751873

USA: LUTZE INC.

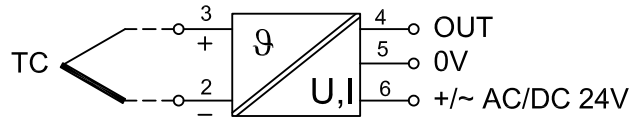
13330 South Ridge Drive • Charlotte, NC 28273, USA
Tel. +1 (704) 504-0222 • Fax +1 (704) 504-0223
www.lutze.com • info@lutze.com

United Kingdom: LÜTZE Ltd.

Unit 3, Sandy Hill Park
Sandy Way, Amington • GB-Tamworth, Staffs B77 4DU
Tel. +44 (0)1827 31333-0 • Fax +44 (0)1827 31333-2
www.lutze.com • sales.gb@lutze.co.uk

Technical data sheet · Interface Technology

PIN assignment



Range adjustment

● → Switch On		S1					
Range	Output	1	2	3	4	5	6
-50 – 200°C	0-10V						
-50 – 200°C	0-20mA	●					
-50 – 200°C	4-20mA		●				
0 – 400°C	0-10V	●	●				
0 – 400°C	0-20mA			●			
0 – 400°C	4-20mA	●		●			
0 – 600°C	0-10V		●	●			
0 – 600°C	0-20mA	●	●	●			
0 – 600°C	4-20mA					●	

Accessories

Accessories	Colour	Article number	Type	PU
Tag holder 4×11 mm	white	681313	BZT-0411	100
Isolation plate		760809	TP 7-0809	5

Accessories

Accessories	Colour	2-pole	3-pole	4-pole	8-pole	16-pole	PU
6 A jumper comb	red	762802	762805	762812	762822	762832	10
6 A jumper comb	white	762803	762806	762813	762823	762833	10
6 A jumper comb	blue	762804	762807	762814	762824	762834	10

14.08.2014 – Subject to technical modification

Part-No. 751873

USA: LUTZE INC.

13330 South Ridge Drive · Charlotte, NC 28273, USA

Tel. +1 (704) 504-0222 · Fax +1 (704) 504-0223

www.lutze.com · info@lutze.com

United Kingdom: LÜTZE Ltd.

Unit 3, Sandy Hill Park

Sandy Way, Amington · GB-Tamworth, Staffs B77 4DU

Tel. +44 (0)1827 31333-0 · Fax +44 (0)1827 31333-2

www.lutze.com · sales.gb@lutze.co.uk



SYSTEMATIC TECHNOLOGY