



Identification	Type	RE 6-0752 AC/DC24V
	Part-No.	760752
Input		
Input voltage range	16.8 V – 30.0 V	
Nominal voltage	AC/DC 24 V	
Rated frequency	50–60 Hz	
Rated current	36.0 mA	
Protection device	Bridge rectifier	
Rated insulation voltage (EN 50178)	320 V	
Status Indication	LED yellow	
Load Side		
Contact type	2 changeover contacts / 2 NO contacts	
Min. switching voltage	AC/DC 17 V	
Max. switching voltage	AC/DC 250 V	
Min. switching current	AC/DC 5 mA	
Max. switching current	AC/DC 6 A	
Max. switching capacity	1500 VA	
Contact material	AgNi 90/10	
Mechanical service life	3 x 10 ⁷ operations	
Inrush current	15 A (4 ms)	
Switch-on delay	8 ms	

03.04.2016 – Subject to technical modification

Part-No. 760752

USA: LUTZE INC.

13330 South Ridge Drive · Charlotte, NC 28273, USA
 Tel. +1 (704) 504-0222 · Fax +1 (704) 504-0223
 www.lutze.com · info@lutze.com

United Kingdom: LUTZE Ltd.

Unit 3, Sandy Hill Park
 Sandy Way, Amington · GB-Tamworth, Staffs B77 4DU
 Tel. +44 (0)1827 31333-0 · Fax +44 (0)1827 31333-2
 www.lutze.com · sales.gb@lutze.co.uk



SYSTEMATIC TECHNOLOGY

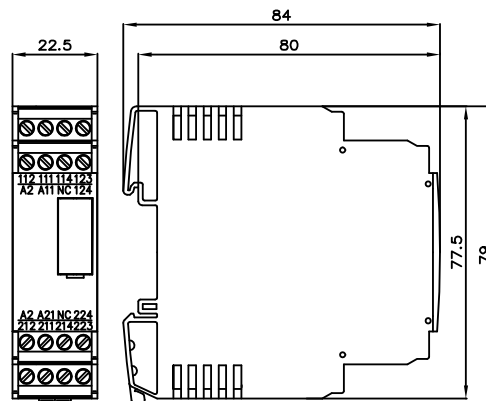
Technical data sheet · Interface Technology

Switch-off delay	15 ms
Clearance/creep. dist. (control/load side)	>5.5 mm
Protection device output	none
Rated insulation voltage (EN 50178)	320 V

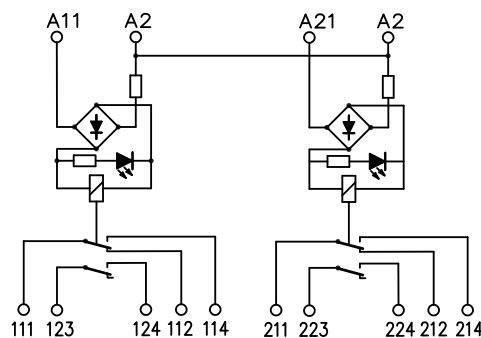
General

Housing material	PPE
Protection class	IP 20
Field installation	rail TS 35 (EN 50022)
Insulation voltage input/output	4.0 kV _{eff}
Safe isolation	Yes
Operation temperature range	-25 °C – 55 °C
Storage temperature range	-40 °C – 80 °C
Dimensions (w × h × d)	22.5 × 79.0 × 84.0 mm
Weight (kg/piece)	0.089
Termination	Screw terminal: 0.25–2.5 mm ²

Dimensions



PIN assignment



03.04.2016 – Subject to technical modification

Part-No. 760752

USA: LUTZE INC.

13330 South Ridge Drive · Charlotte, NC 28273, USA
 Tel. +1 (704) 504-0222 · Fax +1 (704) 504-0223
 www.lutze.com · info@lutze.com

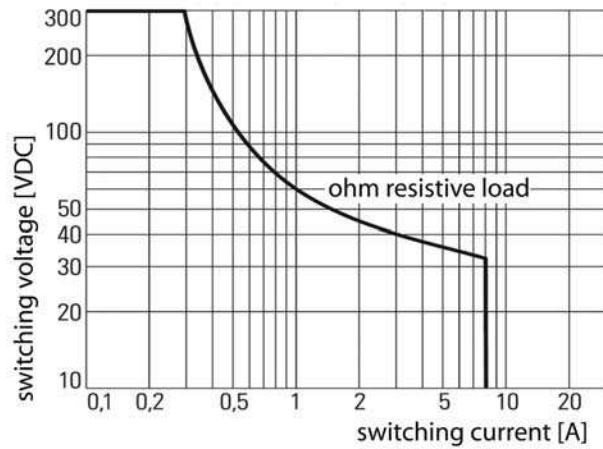
United Kingdom: LUTZE Ltd.

Unit 3, Sandy Hill Park
 Sandy Way, Amington · GB-Tamworth, Staffs B77 4DU
 Tel. +44 (0)1827 31333-0 · Fax +44 (0)1827 31333-2
 www.lutze.com · sales.gb@lutze.co.uk



SYSTEMATIC TECHNOLOGY

Limit curve



Accessories

Accessories	Color	Article number	Type	PU
Tag holder 7×20 mm	white	760968	BZT-0720	100
Laser printer label 6.35×15.24 mm (sheet with 528 labels)		681033	LEB-0615	1

03.04.2016 – Subject to technical modification

Part-No. 760752

USA: LUTZE INC.

13330 South Ridge Drive • Charlotte, NC 28273, USA
 Tel. +1 (704) 504-0222 • Fax +1 (704) 504-0223
 www.lutze.com • info@lutze.com

United Kingdom: LUTZE Ltd.

Unit 3, Sandy Hill Park
 Sandy Way, Amington • GB-Tamworth, Staffs B77 4DU
 Tel. +44 (0)1827 31333-0 • Fax +44 (0)1827 31333-2
 www.lutze.com • sales.gb@lutze.co.uk



SYSTEMATIC TECHNOLOGY