



|                       |          |                   |
|-----------------------|----------|-------------------|
| <b>Identification</b> | Type     | RE 7 230 V 1W <E> |
|                       | Part-No. | 760827            |

**Input**

|                                     |                       |
|-------------------------------------|-----------------------|
| Input voltage range                 | 184.0 V – 253.0 V     |
| Nominal voltage                     | AC/DC 230 V           |
| Rated frequency                     | 50–60 Hz              |
| Rated current                       | 5.0 mA                |
| Interrupting voltage                | <23 V                 |
| Protection device                   | Bridge rectifier      |
| Rated insulation voltage (EN 50178) | 250 V                 |
| Max. length of connecting lead      | DC: 500 m<br>AC: 40 m |

**Load Side**

|                          |  |
|--------------------------|--|
| Contact type             | 1 change over contact                            |
| Min. switching voltage   | AC/DC 17 V                                       |
| Max. switching voltage   | AC/DC 250 V                                      |
| Min. switching current   | AC/DC 5 mA                                       |
| Max. switching current   | AC/DC 6 A  |
| Switching capacity AC 15 | 3 A  |
| Switching capacity DC 13 | at 24 V: 1 A, at 115 V: 200 mA, at 230 V: 100 mA |
| Max. switching capacity  | 1500 VA  |
| Contact material         | AgSnO <sub>2</sub>                               |

03.04.2016 – Subject to technical modification

Part-No. 760827

USA: LUTZE INC.

13330 South Ridge Drive • Charlotte, NC 28273, USA  
Tel. +1 (704) 504-0222 • Fax +1 (704) 504-0223  
www.lutze.com • info@lutze.com

United Kingdom: LUTZE Ltd.

Unit 3, Sandy Hill Park  
Sandy Way, Amington • GB-Tamworth, Staffs B77 4DU  
Tel. +44 (0)1827 31333-0 • Fax +44 (0)1827 31333-2  
www.lutze.com • sales.gb@lutze.co.uk



SYSTEMATIC TECHNOLOGY

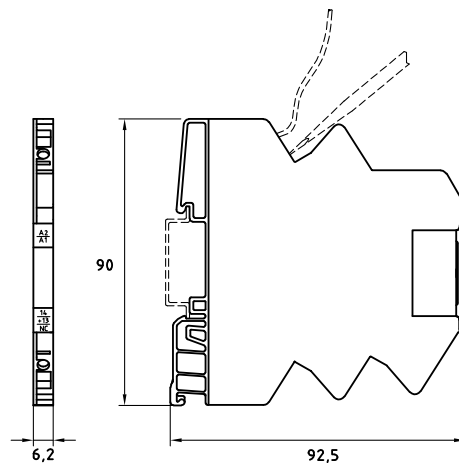
## Technical data sheet · Interface Technology

|   |                                 |
|---|---------------------------------|
| Mechanical service life                       | >5 x 10 <sup>6</sup> operations |
| Switch-on delay                               | 8 ms                            |
| Switch-off delay                              | 13 ms                           |
| Clearance/creep. dist.<br>(control/load side) | >5.5 mm                         |
| Rated insulation voltage<br>(EN 50178)        | 300 V                           |

### General

|                                 |   |
|---------------------------------|---|
| Housing material                | PA 6.6 (UL 94 V-0)                      |
| Protection class                | IP 20                                   |
| Field installation              | rail TS 35 (EN 50022)                   |
| Insulation voltage input/output | 4.0 kV <sub>eff</sub>                   |
| Safe isolation                  | yes                                     |
| Operation temperature range     | -25 °C – 60 °C                          |
| Storage temperature range       | -40 °C – 80 °C                          |
| Dimensions (w x h x d)          | 6.2 x 90.0 x 92.5 mm                    |
| Weight (kg/piece)               | 0.035                                   |
| Approvals                       | cULus                                   |
| Termination                     | Screw terminal: 0.5–1.5 mm <sup>2</sup> |

### Dimensions



03.04.2016 – Subject to technical modification

Part-No. 760827

USA: LUTZE INC.

13330 South Ridge Drive · Charlotte, NC 28273, USA  
Tel. +1 (704) 504-0222 · Fax +1 (704) 504-0223  
www.lutze.com · info@lutze.com

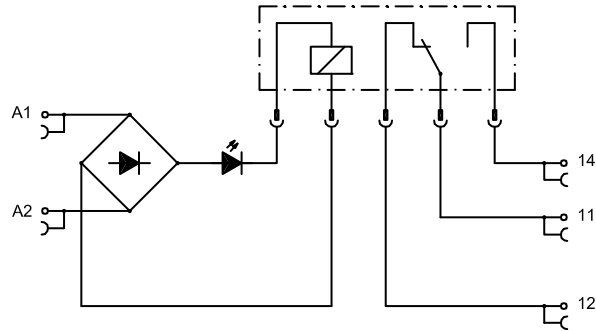
United Kingdom: LUTZE Ltd.

Unit 3, Sandy Hill Park  
Sandy Way, Amington · GB-Tamworth, Staffs B77 4DU  
Tel. +44 (0)1827 31333-0 · Fax +44 (0)1827 31333-2  
www.lutze.com · sales.gb@lutze.co.uk

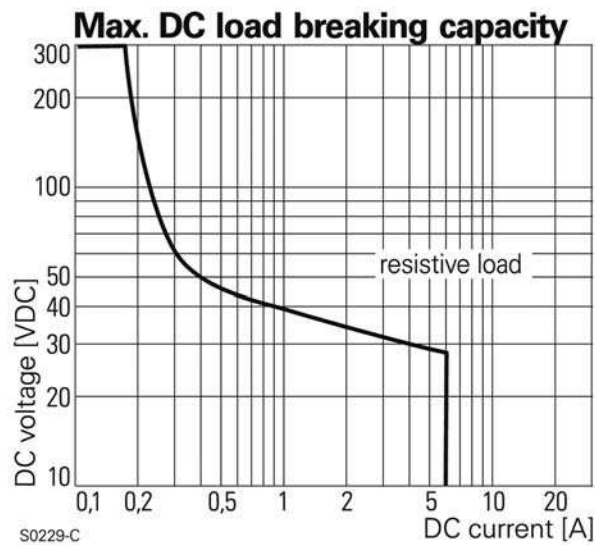


SYSTEMATIC TECHNOLOGY

**PIN assignment**



**Limit curve**



**Accessories**

| Accessories                           | Color | Article number | Type             | PU  |
|---------------------------------------|-------|----------------|------------------|-----|
| Replacement relay for 76X821          |       | 768002         | Relay SNR 24V 1W | 20  |
| Spare relay for 76X822 / 76x828       |       | 768001         | Relay SNR 12V 1W | 20  |
| Replacement relay for 76X826 / 76X827 |       | 768003         | Relay SNR 60V 1W | 20  |
| Tag holder 4×11 mm                    | white | 681313         | BZT-0411         | 100 |
| Isolation plate                       |       | 760809         | TP 7-0809        | 5   |

**Accessories**

03.04.2016 – Subject to technical modification

Part-No. 760827

USA: LUTZE INC.

13330 South Ridge Drive • Charlotte, NC 28273, USA  
 Tel. +1 (704) 504-0222 • Fax +1 (704) 504-0223  
 www.lutze.com • info@lutze.com

United Kingdom: LUTZE Ltd.

Unit 3, Sandy Hill Park  
 Sandy Way, Amington • GB-Tamworth, Staffs B77 4DU  
 Tel. +44 (0)1827 31333-0 • Fax +44 (0)1827 31333-2  
 www.lutze.com • sales.gb@lutze.co.uk



SYSTEMATIC TECHNOLOGY

## Technical data sheet · Interface Technology

---

| Accessories     | Color | 2-pole | 3-pole | 4-pole | 8-pole | 16-pole | PU |
|-----------------|-------|--------|--------|--------|--------|---------|----|
| 6 A jumper comb | red   | 762802 | 762805 | 762812 | 762822 | 762832  | 10 |
| 6 A jumper comb | white | 762803 | 762806 | 762813 | 762823 | 762833  | 10 |
| 6 A jumper comb | blue  | 762804 | 762807 | 762814 | 762824 | 762834  | 10 |

---

### Comments

For operation with rated voltage and 100% ED over 24h/day, a distance of = 10 mm must be complied with between the modules or to the neighboring switching components.

03.04.2016 – Subject to technical modification

Part-No. 760827

USA: LUTZE INC.

13330 South Ridge Drive · Charlotte, NC 28273, USA  
Tel. +1 (704) 504-0222 · Fax +1 (704) 504-0223  
www.lutze.com · info@lutze.com

United Kingdom: LUTZE Ltd.

Unit 3, Sandy Hill Park  
Sandy Way, Amington · GB-Tamworth, Staffs B77 4DU  
Tel. +44 (0)1827 31333-0 · Fax +44 (0)1827 31333-2  
www.lutze.com · sales.gb@lutze.co.uk



SYSTEMATIC TECHNOLOGY