



<b>Identification</b>	Type	RE 7 12V 1W
	Part-No.	760828

<b>Input</b>	
Input voltage range	10.2 V – 15.0 V
Nominal voltage	DC 12 V
Rated current	15.0 mA
Interrupting voltage	<2 V
Protection device	Bridge rectifier
Rated insulation voltage (EN 50178)	50 V
Max. length of connecting lead	2000 m

<b>Load Side</b>	
Contact type	1 change over contact
Min. switching voltage	AC/DC 17 V
Max. switching voltage	AC/DC 250 V
Min. switching current	AC/DC 5 mA
Max. switching current	AC/DC 6 A
Switching capacity AC 15	3 A
Switching capacity DC 13	at 24 V: 1 A, at 115 V: 200 mA, at 230 V: 100 mA
Max. switching capacity	1500 VA
Contact material	AgSnO <sub>2</sub>
Mechanical service life	>5 x 10 <sup>6</sup> operations

03.04.2016 – Subject to technical modification

Part-No. 760828

USA: LUTZE INC.

13330 South Ridge Drive • Charlotte, NC 28273, USA  
 Tel. +1 (704) 504-0222 • Fax +1 (704) 504-0223  
 www.lutze.com • info@lutze.com

United Kingdom: LUTZE Ltd.

Unit 3, Sandy Hill Park  
 Sandy Way, Amington • GB-Tamworth, Staffs B77 4DU  
 Tel. +44 (0)1827 31333-0 • Fax +44 (0)1827 31333-2  
 www.lutze.com • sales.gb@lutze.co.uk



SYSTEMATIC TECHNOLOGY

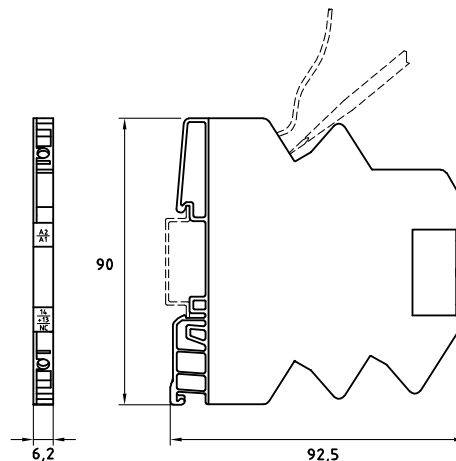
## Technical data sheet · Interface Technology

Switch-on delay	5 ms
Switch-off delay	4 ms
Clearance/creep. dist. (control/load side)	>5.5 mm
Rated insulation voltage (EN 50178)	300 V

### General

Housing material	PA 6.6 (UL 94 V-0)
Protection class	IP 20
Field installation	rail TS 35 (EN 50022)
Insulation voltage input/output	4.0 kV <sub>eff</sub>
Safe isolation	yes
Operation temperature range	-25 °C – 60 °C
Storage temperature range	-40 °C – 80 °C
Dimensions (w × h × d)	6.2 × 90.0 × 92.5 mm
Weight (kg/piece)	0.035
Approvals	cULus
Termination	Screw terminal: 0.5–1.5 mm <sup>2</sup>

### Dimensions



03.04.2016 – Subject to technical modification

Part-No. 760828

USA: LUTZE INC.

13330 South Ridge Drive · Charlotte, NC 28273, USA  
Tel. +1 (704) 504-0222 · Fax +1 (704) 504-0223  
www.lutze.com · info@lutze.com

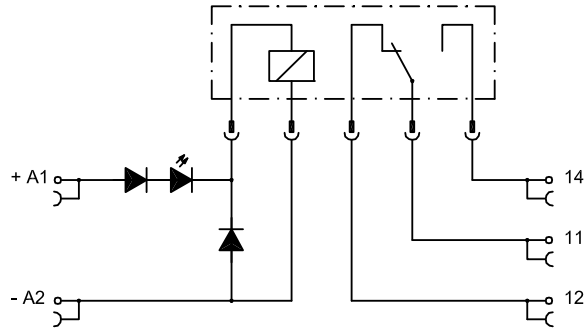
United Kingdom: LUTZE Ltd.

Unit 3, Sandy Hill Park  
Sandy Way, Amington · GB-Tamworth, Staffs B77 4DU  
Tel. +44 (0)1827 31333-0 · Fax +44 (0)1827 31333-2  
www.lutze.com · sales.gb@lutze.co.uk

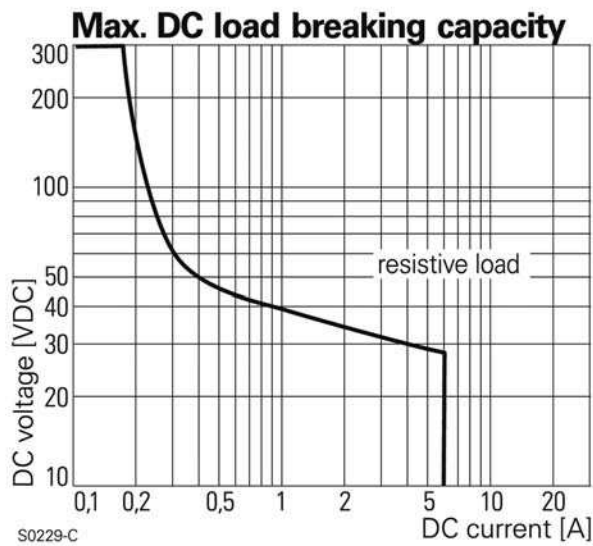


SYSTEMATIC TECHNOLOGY

**PIN assignment**



**Limit curve**



**Accessories**

Accessories	Color	Article number	Type	PU
Replacement relay for 76X821		768002	Relay SNR 24V 1W	20
Spare relay for 76X822 / 76x828		768001	Relay SNR 12V 1W	20
Replacement relay for 76X826 / 76X827		768003	Relay SNR 60V 1W	20
Tag holder 4x11 mm	white	681313	BZT-0411	100
Isolation plate		760809	TP 7-0809	5

**Accessories**

03.04.2016 – Subject to technical modification

Part-No. 760828

USA: LUTZE INC.

13330 South Ridge Drive • Charlotte, NC 28273, USA  
 Tel. +1 (704) 504-0222 • Fax +1 (704) 504-0223  
 www.lutze.com • info@lutze.com

United Kingdom: LUTZE Ltd.

Unit 3, Sandy Hill Park  
 Sandy Way, Amington • GB-Tamworth, Staffs B77 4DU  
 Tel. +44 (0)1827 31333-0 • Fax +44 (0)1827 31333-2  
 www.lutze.com • sales.gb@lutze.co.uk



SYSTEMATIC TECHNOLOGY

## Technical data sheet · Interface Technology

---

Accessories	Color	2-pole	3-pole	4-pole	8-pole	16-pole	PU
6 A jumper comb	red	762802	762805	762812	762822	762832	10
6 A jumper comb	white	762803	762806	762813	762823	762833	10
6 A jumper comb	blue	762804	762807	762814	762824	762834	10

---

### Comments

For operation with rated voltage and 100% ED over 24h/day, a distance of = 10 mm must be complied with between the modules or to the neighboring switching components.

03.04.2016 – Subject to technical modification

Part-No. 760828

USA: LUTZE INC.

13330 South Ridge Drive · Charlotte, NC 28273, USA  
Tel. +1 (704) 504-0222 · Fax +1 (704) 504-0223  
www.lutze.com · info@lutze.com

United Kingdom: LUTZE Ltd.

Unit 3, Sandy Hill Park  
Sandy Way, Amington · GB-Tamworth, Staffs B77 4DU  
Tel. +44 (0)1827 31333-0 · Fax +44 (0)1827 31333-2  
www.lutze.com · sales.gb@lutze.co.uk



SYSTEMATIC TECHNOLOGY