



Identification	Type	RE 7-2307.001 AC 230 V
	Part-No.	762307.001
Input		
Input voltage	AC 230 V	
Input voltage range	184.0 V – 253.0 V	
Line frequency	50 – 60 Hz	
Rated current	3.5 mA	
Interrupting voltage	<23 V	
Protection device	Bridge rectifier	
Rated insulation voltage (EN 50178)	300 V	
Overvoltage category	II	
Pollution degree	2	
Status Indication	LED yellow	
Load Side		
Contact type	1 changeover contact	
Min. switching voltage	AC/DC 17 V	
Max. switching voltage	AC/DC 250 V	
Min. switching current	AC/DC 5 mA	
Max. switching current	AC/DC 6 A	
Switching capacity AC 15	3 A	
Switching capacity DC 13	at 24 V: 1 A; at 115 V: 200 mA; at 230 V: 100 mA	

23.07.2013 – Subject to technical modification

Part-No. 762307.001

USA: LUTZE INC.

13330 South Ridge Drive · Charlotte, NC 28273, USA
 Tel. +1 (704) 504-0222 · Fax +1 (704) 504-0223
 www.lutze.com · info@lutze.com

United Kingdom: LÜTZE Ltd.

Unit 3, Sandy Hill Park
 Sandy Way, Amington · GB-Tamworth, Staffs B77 4DU
 Tel. +44 (0)1827 31333-0 · Fax +44 (0)1827 31333-2
 www.lutze.com · sales.gb@lutze.co.uk



SYSTEMATIC TECHNOLOGY

Technical data sheet - Interface Technology

Max. switching capacity	1500 VA
Contact material	AgSnO ₂
Mechanical service life	>5 x 10 ⁶ operations
Switch-on delay	10 ms
Switch-off delay	15 ms
Rated insulation voltage (EN 50178)	300 V
Overvoltage category	I
Pollution degree	2
Inrush peak current	<4 ms 16 A
Switching frequency	at 50 % ED < 360 h
Bounce time	approx. 5 ms

General

Housing material	PA
Colour	RAL 7035
Protection class	IP 20
Field installation	rail TS 35 (EN 50022)
Insulation voltage input/output	4.0 kV _{eff} 6 kV standing surge voltage
Clearance/creep. dist.	Input/output >5.5 mm
Safe isolation	yes
Rated insulation voltage (EN 50178)	300 V
Overvoltage category	III
Pollution degree	2
Operation temperature range	-40 °C – 75 °C
Storage temperature range	-40 °C – 80 °C
Dimensions (w x h x d)	6.2 x 90.0 x 92.5 mm
Weight (kg/piece)	0.035
Approvals	CE, cULus in preparation
Termination	Spring terminal: 0,5 - 1,5 mm ² (with ferrule)
Installation position	optional
Standards	EN 50178, EN 61373
Climate	95 % Humidity (brief condensation permissible)
Altitude	max. 3000 m (above sea level)

23.07.2013 – Subject to technical modification

Part-No. 762307.001

USA: LUTZE INC.

13330 South Ridge Drive • Charlotte, NC 28273, USA
Tel. +1 (704) 504-0222 • Fax +1 (704) 504-0223
www.lutze.com • info@lutze.com

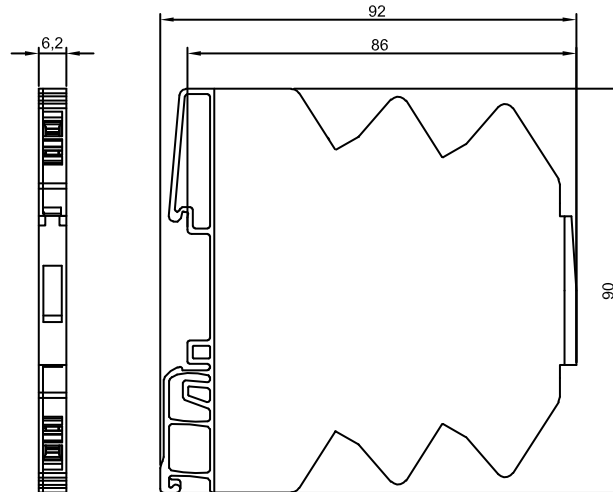
United Kingdom: LÜTZE Ltd.

Unit 3, Sandy Hill Park
Sandy Way, Amington • GB-Tamworth, Staffs B77 4DU
Tel. +44 (0)1827 31333-0 • Fax +44 (0)1827 31333-2
www.lutze.com • sales.gb@lutze.co.uk

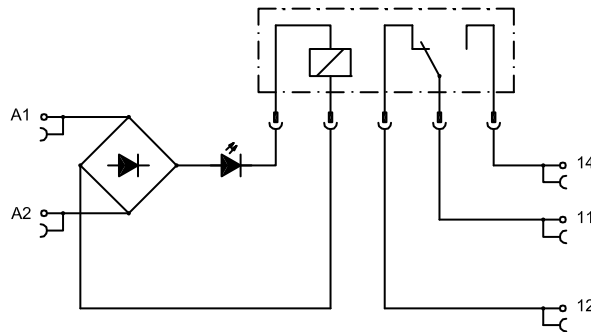


SYSTEMATIC TECHNOLOGY

Dimensions



PIN assignment



23.07.2013 – Subject to technical modification

Part-No. 762307.001

USA: LUTZE INC.

13330 South Ridge Drive • Charlotte, NC 28273, USA
Tel. +1 (704) 504-0222 • Fax +1 (704) 504-0223
www.lutze.com • info@lutze.com

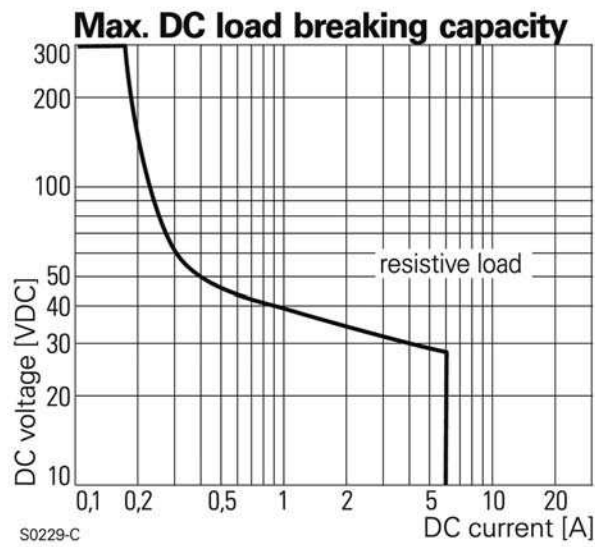
United Kingdom: LÜTZE Ltd.

Unit 3, Sandy Hill Park
Sandy Way, Amington • GB-Tamworth, Staffs B77 4DU
Tel. +44 (0)1827 31333-0 • Fax +44 (0)1827 31333-2
www.lutze.com • sales.gb@lutze.co.uk

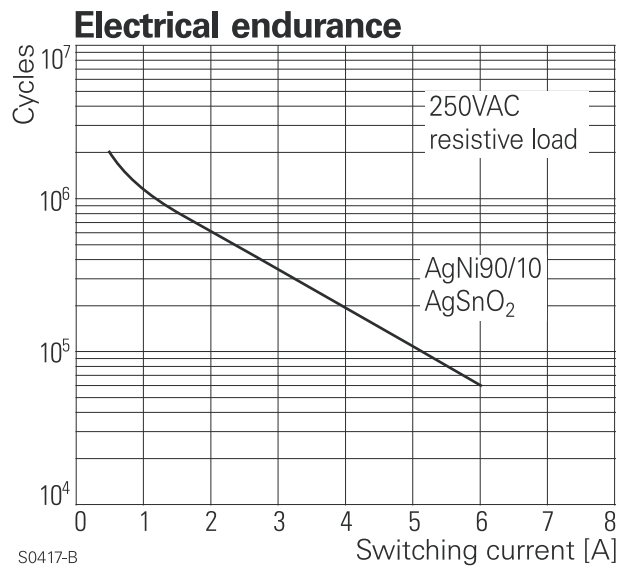


SYSTEMATIC TECHNOLOGY

Limit curve



Electrical endurance



Accessories

23.07.2013 – Subject to technical modification

Part-No. 762307.001

USA: LUTZE INC.

13330 South Ridge Drive • Charlotte, NC 28273, USA
Tel. +1 (704) 504-0222 • Fax +1 (704) 504-0223
www.lutze.com • info@lutze.com

United Kingdom: LÜTZE Ltd.

Unit 3, Sandy Hill Park
Sandy Way, Amington • GB-Tamworth, Staffs B77 4DU
Tel. +44 (0)1827 31333-0 • Fax +44 (0)1827 31333-2
www.lutze.com • sales.gb@lutze.co.uk



SYSTEMATIC TECHNOLOGY

Technical data sheet - Interface Technology

Accessories	Colour	Article number	Type	PU
Jumper comb 24pole, 26A	blue	760801	BK 6-0801	5
tag holder 7x20 mm	white	681311	BZT 0720	100
Labels for laser printer A4 unpunched		681031	LEB-A4	1
Labels for laser printer 6,35 x 15,24mm (Sheet with 528 labels)		681033	LEB-0615	1

23.07.2013 – Subject to technical modification

Part-No. 762307.001

USA: LUTZE INC.

13330 South Ridge Drive • Charlotte, NC 28273, USA

Tel. +1 (704) 504-0222 • Fax +1 (704) 504-0223

www.lutze.com • info@lutze.com

United Kingdom: LÜTZE Ltd.

Unit 3, Sandy Hill Park

Sandy Way, Amington • GB-Tamworth, Staffs B77 4DU

Tel. +44 (0)1827 31333-0 • Fax +44 (0)1827 31333-2

www.lutze.com • sales.gb@lutze.co.uk



SYSTEMATIC TECHNOLOGY