

Technical data sheet -

Jumper comb



Identification	Type	BK 7-2833 WE 16polig
	Part-No.	762833
Description		white
Technical data		
Rated current	DC 6 A	
Pole number	16	
General		
Connection device	plug-in	
Contact design	Flat contact 0.5 mm Ribbing on the sides	
Pin spacing	6.2 mm	
Length	99.2 mm	
Contact material	CuZn	
Material	Vectra C 1330	
Color	white	
Flamability according to UL 94	V0	
Operation temperature range	-40 °C ... +80 °C	
Storage temperature range	-40 °C ... +80 °C	
Weight	0.0040 kg/piece	
PU	10	

25.08.2017 – Subject to technical modification

Part-No. 762833

USA: LUTZE INC.

13330 South Ridge Drive • Charlotte, NC 28273, USA
Tel. +1 (704) 504-0222 • Fax +1 (704) 504-0223
www.lutze.com • info@lutze.com

United Kingdom: LÜTZE Ltd.

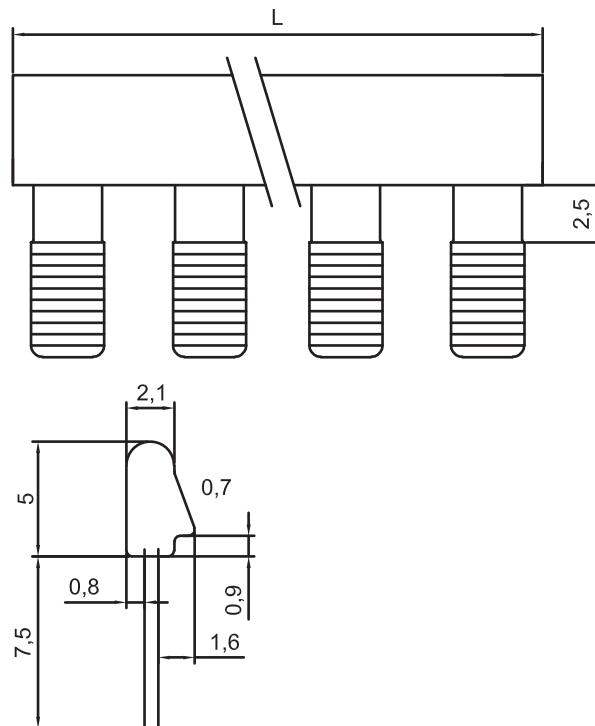
Unit 3, Sandy Hill Park
Sandy Way, Amington • GB-Tamworth, Staffs B77 4DU
Tel. +44 (0)1827 31333-0 • Fax +44 (0)1827 31333-2
www.lutze.com • sales.gb@lutze.co.uk



SYSTEMATIC TECHNOLOGY

Technical data sheet

Dimensions



25.08.2017 – Subject to technical modification

Part-No. 762833

USA: LUTZE INC.

13330 South Ridge Drive • Charlotte, NC 28273, USA

Tel. +1 (704) 504-0222 • Fax +1 (704) 504-0223

www.lutze.com • info@lutze.com

United Kingdom: LÜTZE Ltd.

Unit 3, Sandy Hill Park

Sandy Way, Amington • GB-Tamworth, Staffs B77 4DU

Tel. +44 (0)1827 31333-0 • Fax +44 (0)1827 31333-2

www.lutze.com • sales.gb@lutze.co.uk