

## Technical data sheet -

Jumper comb



|                                |   |                      |
|--------------------------------|---|----------------------|
| <b>Identification</b>          | Type  | BK 7-2834 bl 16polig |
|                                | Part-No.                                    | 762834               |
| <b>Description</b>             |   | blue                 |
| <b>Technical data</b>          |   |                      |
| Rated current                  | DC 6 A                                      |                      |
| Pole number                    | 16  |                      |
| <b>General</b>                 |   |                      |
| Connection device              | plug-in                                     |                      |
| Contact design                 | Flat contact 0.5 mm<br>Ribbing on the sides |                      |
| Pin spacing                    | 6.2 mm                                      |                      |
| Length                         | 99.2 mm                                     |                      |
| Contact material               | CuZn  |                      |
| Material                       | Vectra C 1330                               |                      |
| Color                          | blue  |                      |
| Flamability according to UL 94 | V0  |                      |
| Operation temperature range    | -40 °C ... +80 °C                           |                      |
| Storage temperature range      | -40 °C ... +80 °C                           |                      |
| Weight                         | 0.0040 kg/piece                             |                      |
| PU                             | 10  |                      |

25.08.2017 – Subject to technical modification

Part-No. 762834

USA: LUTZE INC.

13330 South Ridge Drive • Charlotte, NC 28273, USA  
Tel. +1 (704) 504-0222 • Fax +1 (704) 504-0223  
www.lutze.com • info@lutze.com

United Kingdom: LÜTZE Ltd.

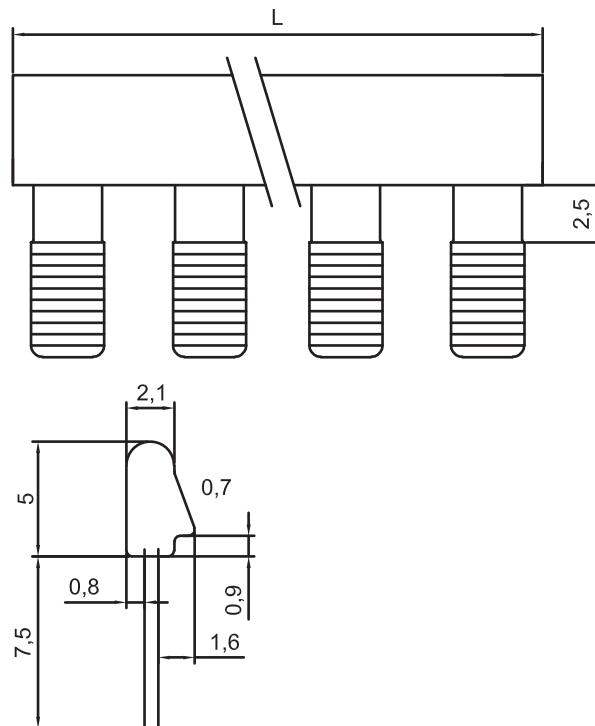
Unit 3, Sandy Hill Park  
Sandy Way, Amington • GB-Tamworth, Staffs B77 4DU  
Tel. +44 (0)1827 31333-0 • Fax +44 (0)1827 31333-2  
www.lutze.com • sales.gb@lutze.co.uk



SYSTEMATIC TECHNOLOGY

# Technical data sheet

## Dimensions



25.08.2017 – Subject to technical modification

Part-No. 762834

USA: LUTZE INC.

13330 South Ridge Drive • Charlotte, NC 28273, USA

Tel. +1 (704) 504-0222 • Fax +1 (704) 504-0223

www.lutze.com • info@lutze.com

United Kingdom: LÜTZE Ltd.

Unit 3, Sandy Hill Park

Sandy Way, Amington • GB-Tamworth, Staffs B77 4DU

Tel. +44 (0)1827 31333-0 • Fax +44 (0)1827 31333-2

www.lutze.com • sales.gb@lutze.co.uk