



Identification	Type	REI4-0440 4W DC12V
	Part-No.	770440

Input

Input voltage range	9.6 V – 13.2 V
Nominal voltage	DC 12 V
Rated current	75.0 mA
Interrupting voltage	<1.2 V
Protection device	Overload diode
Status Indication	LED green
Power consumption	0.9 W

Load Side

Contact type	4 change over contact
Min. switching voltage	AC/DC 5 V
Max. switching voltage	AC/DC 250 V
Min. switching current	AgNi: AC/DC 5 mA
Max. switching current	AC/DC 5 A
Switching capacity AC 15	at 24 V: 2.5 A, at 230 V: 1.5 A
Switching capacity DC 13	at 24 V: 1.8A, at 115 V: 300 mA, at 230 V: 150 mA
Max. switching capacity	1250 VA
Contact material	AgNi
Mechanical service life	>2 x 10 ⁷ operations

03.04.2016 – Subject to technical modification

Part-No. 770440

USA: LUTZE INC.

13330 South Ridge Drive • Charlotte, NC 28273, USA
 Tel. +1 (704) 504-0222 • Fax +1 (704) 504-0223
 www.lutze.com • info@lutze.com

United Kingdom: LUTZE Ltd.

Unit 3, Sandy Hill Park
 Sandy Way, Amington • GB-Tamworth, Staffs B77 4DU
 Tel. +44 (0)1827 31333-0 • Fax +44 (0)1827 31333-2
 www.lutze.com • sales.gb@lutze.co.uk



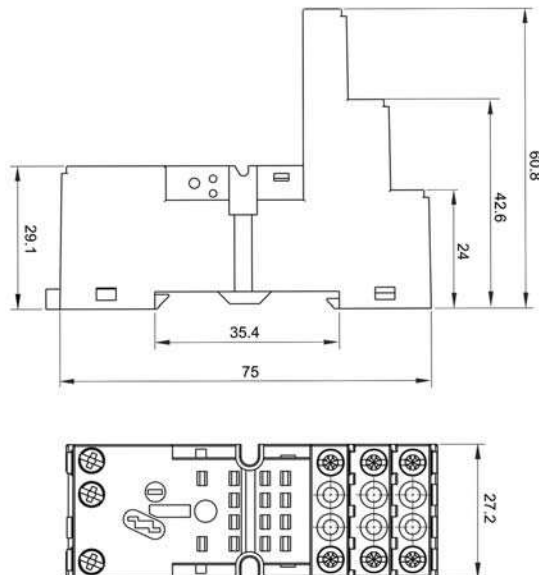
Technical data sheet • Interface Technology

Switch-on delay	25 ms
Switch-off delay	25 ms
Clearance/creep. dist. (control/load side)	Clearance distance: > 2 mm; creepage distance: > 3mm

General

Housing material	PA 66+GF V0 (UL)
Protection class	IP 20
Field installation	rail TS 35 (EN 50022)
Insulation voltage input/output	1.5 kV _{eff}
Safe isolation	yes
Operation temperature range	-40 °C – 70 °C
Storage temperature range	-40 °C – 85 °C
Dimensions (w × h × d)	27.2 × 75.0 × 82.0 mm
Weight (kg/piece)	0.108
Approvals	cULus
Termination	Screw terminal: 0.2–4.0 mm ²

Dimensions



03.04.2016 – Subject to technical modification

Part-No. 770440

USA: LUTZE INC.

13330 South Ridge Drive • Charlotte, NC 28273, USA
Tel. +1 (704) 504-0222 • Fax +1 (704) 504-0223
www.lutze.com • info@lutze.com

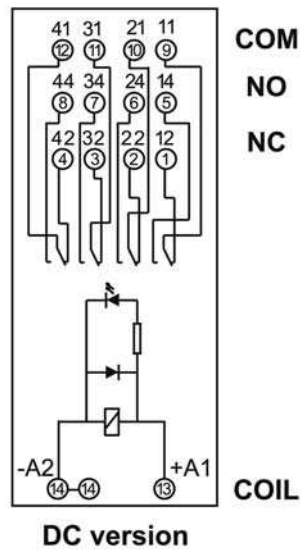
United Kingdom: LUTZE Ltd.

Unit 3, Sandy Hill Park
Sandy Way, Amington • GB-Tamworth, Staffs B77 4DU
Tel. +44 (0)1827 31333-0 • Fax +44 (0)1827 31333-2
www.lutze.com • sales.gb@lutze.co.uk



SYSTEMATIC TECHNOLOGY

PIN assignment



03.04.2016 – Subject to technical modification

Part-No. 770440

USA: LUTZE INC.

13330 South Ridge Drive • Charlotte, NC 28273, USA
Tel. +1 (704) 504-0222 • Fax +1 (704) 504-0223
www.lutze.com • info@lutze.com

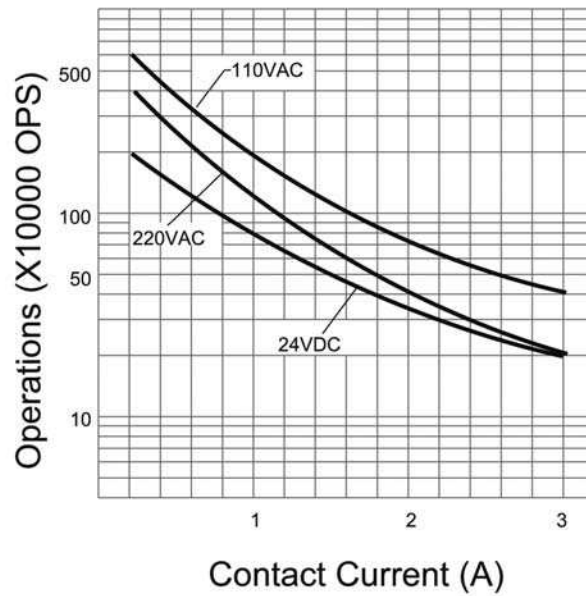
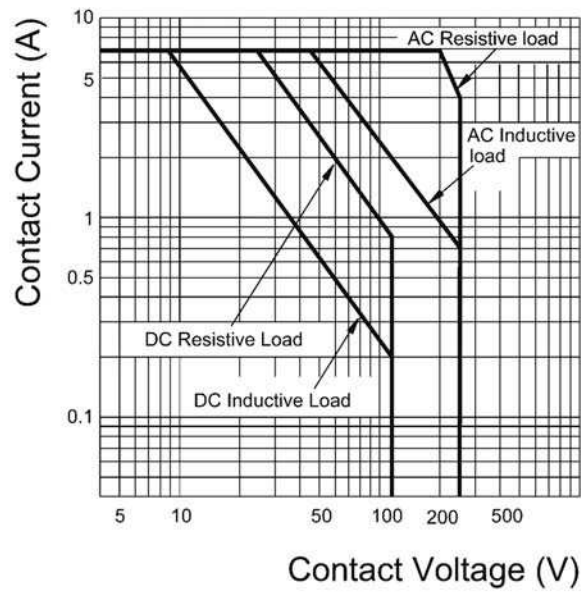
United Kingdom: LUTZE Ltd.

Unit 3, Sandy Hill Park
Sandy Way, Amington • GB-Tamworth, Staffs B77 4DU
Tel. +44 (0)1827 31333-0 • Fax +44 (0)1827 31333-2
www.lutze.com • sales.gb@lutze.co.uk



SYSTEMATIC TECHNOLOGY

Limit curve



Accessories

03.04.2016 – Subject to technical modification

Part-No. 770440

USA: LUTZE INC.

13330 South Ridge Drive • Charlotte, NC 28273, USA
 Tel. +1 (704) 504-0222 • Fax +1 (704) 504-0223
 www.lutze.com • info@lutze.com

United Kingdom: LUTZE Ltd.

Unit 3, Sandy Hill Park
 Sandy Way, Amington • GB-Tamworth, Staffs B77 4DU
 Tel. +44 (0)1827 31333-0 • Fax +44 (0)1827 31333-2
 www.lutze.com • sales.gb@lutze.co.uk



SYSTEMATIC TECHNOLOGY

Technical data sheet - Interface Technology

Accessories	Color	Article number	Type	PU
Relay socket		770905	RES4W-0905	10
Backup relay DC 12 V		770400	RE4W-0400 DC12	10
Backup relay DC 12 V HV		770420	RE4WHV-0420 DC12	10
Backup relay DC 24 V		770401	RE4W-0401 DC24	10
Backup relay DC 24 V HV		770421	RE4WHV-0421 DC24	10
Backup relay DC 110 V		770406	RE4W-0406 DC120	10
Backup relay DC 110 V HV		770426	RE4WHV-0426 DC120	10
Protecting module AC 6-24 V		770911	PM41G-0911	10
Protecting module DC 110 V		770916	PM43G-0916	10
Plate		770907	REM WT-0907	10
Jumper comb 10A	black	770909	REI-0909	10

03.04.2016 – Subject to technical modification

Part-No. 770440

USA: LUTZE INC.

13330 South Ridge Drive • Charlotte, NC 28273, USA
Tel. +1 (704) 504-0222 • Fax +1 (704) 504-0223
www.lutze.com • info@lutze.com

United Kingdom: LUTZE Ltd.

Unit 3, Sandy Hill Park
Sandy Way, Amington • GB-Tamworth, Staffs B77 4DU
Tel. +44 (0)1827 31333-0 • Fax +44 (0)1827 31333-2
www.lutze.com • sales.gb@lutze.co.uk