



|                        |  |                    |
|------------------------|--|--------------------|
| <b>Identification</b>  | Type   | REI4-0441 4W DC24V |
|                        | Part-No.   | 770441             |
| <b>Description</b>     | DC-Relay-Interface, 4 CO contact, pluggable<br>AC/DC 250 V, 5 A, 1250 VA |                    |
| <b>Input</b>           |  |                    |
| Rated voltage $U_N$    | DC 24 V  |                    |
| Input voltage range    | 19.2 – 26.4 V  |                    |
| Rated current $I_N$    | 0.037 A  |                    |
| Interrupting voltage   | <2.4 V   |                    |
| Protection device      | Free-wheeling diode  |                    |
| Status display input   | LED green  |                    |
| Power consumption      | 0.9 W  |                    |
| <b>Output</b>          |  |                    |
| Contact type           | 4 changeover contacts  |                    |
| Switching element      | Relays   |                    |
| Min. switching voltage | AC/DC 5 V  |                    |
| Max. switching voltage | AC/DC 250 V  |                    |
| Min. switching current | AgNi: AC/DC 5 mA   |                    |
| Max. switching current | AC/DC 5 A  |                    |

25.08.2017 – Subject to technical modification

Part-No. 770441

USA: LUTZE INC.

13330 South Ridge Drive • Charlotte, NC 28273, USA  
Tel. +1 (704) 504-0222 • Fax +1 (704) 504-0223  
www.lutze.com • info@lutze.com

United Kingdom: LÜTZE Ltd.

Unit 3, Sandy Hill Park  
Sandy Way, Amington • GB-Tamworth, Staffs B77 4DU  
Tel. +44 (0)1827 31333-0 • Fax +44 (0)1827 31333-2  
www.lutze.com • sales.gb@lutze.co.uk

## Technical data sheet · Interface Technology

---

|   |  |
|---|--|
| Switching capacity DC 13                      | 1,8 A @ 24 V, 300 mA @ 115 V, 150 mA @ 230 V |
| Switching capacity AC 15                      | 2.5 A @ 24 V, 1.5 A @ 230 V                  |
| Max. switching capacity                       | 1250 VA                                      |
| Contact material                              | AgNi   |
| Mechanical service life                       | > 2 x 10 <sup>7</sup> operations             |
| Switch-on delay                               | 25 ms  |
| Shutdown delay                                | 25 ms  |
| Clearance/creep. dist.<br>(control/load side) | Air clearance: >2 mm, creep clearance: >3 mm |
| Protection device                             | none   |
| Rated insulation voltage (EN 50178)           | AC 250 V (category C 250)                    |

---

### General

---

|                                   |  |
|-----------------------------------|--|
| Housing material                  | PA 6.6 + GF V0 (UL)  |
| Colour of the housing             | black  |
| Protection class                  | IP20   |
| Mounting                          | DIN rail mountable TS35                                      |
| Insulation voltage input / output | 1.5 kV <sub>eff</sub>  |
| Safe isolation                    | yes  |
| Operation temperature range       | -40 °C ... +70 °C  |
| Storage temperature range         | -40 °C ... +85 °C  |
| Dimensions (w × h × d)            | 27.2 × 75.0 × 82.0 mm<br>(including mounting bracket)        |
| Weight                            | 0.097 kg/piece   |
| Connection device                 | Screw terminal<br>0.20 mm <sup>2</sup> – 4.0 mm <sup>2</sup> |
| Standards                         | EN 60947-4-1   |
| Approvals                         | cULus  |

25.08.2017 – Subject to technical modification

Part-No. 770441

USA: LUTZE INC.

13330 South Ridge Drive · Charlotte, NC 28273, USA  
Tel. +1 (704) 504-0222 · Fax +1 (704) 504-0223  
www.lutze.com · info@lutze.com

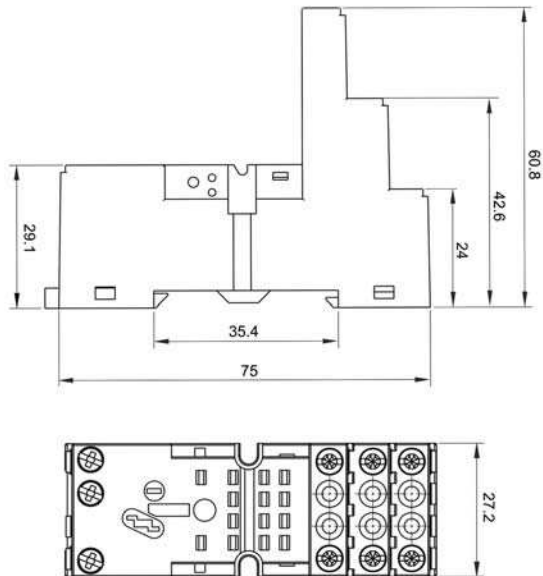
United Kingdom: LÜTZE Ltd.

Unit 3, Sandy Hill Park  
Sandy Way, Amington · GB-Tamworth, Staffs B77 4DU  
Tel. +44 (0)1827 31333-0 · Fax +44 (0)1827 31333-2  
www.lutze.com · sales.gb@lutze.co.uk

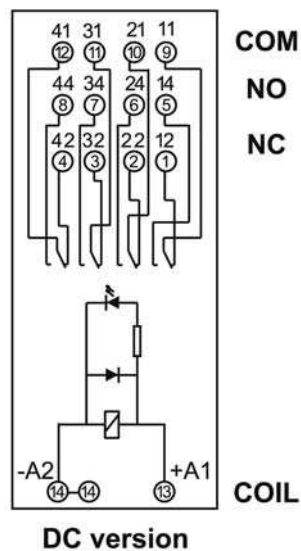


SYSTEMATIC TECHNOLOGY

**Dimensions**



**PIN assignment**



25.08.2017 – Subject to technical modification

Part-No. 770441

USA: LUTZE INC.

13330 South Ridge Drive • Charlotte, NC 28273, USA

Tel. +1 (704) 504-0222 • Fax +1 (704) 504-0223

www.lutze.com • info@lutze.com

United Kingdom: LÜTZE Ltd.

Unit 3, Sandy Hill Park

Sandy Way, Amington • GB-Tamworth, Staffs B77 4DU

Tel. +44 (0)1827 31333-0 • Fax +44 (0)1827 31333-2

www.lutze.com • sales.gb@lutze.co.uk



SYSTEMATIC TECHNOLOGY