



|                       |          |                     |
|-----------------------|----------|---------------------|
| <b>Identification</b> | Type     | REI4-0446 4W DC115V |
|                       | Part-No. | 770446              |

**Input**

|                      |                  |
|----------------------|------------------|
| Input voltage range  | 88.0 V – 121.0 V |
| Nominal voltage      | DC 115 V         |
| Rated current        | 11.0 mA          |
| Interrupting voltage | 11 V11 V         |
| Protection device    | Overload diode   |
| Status Indication    | LED green        |
| Power consumption    | 0.9 W            |

**Load Side**

|                          |   |
|--------------------------|---|
| Contact type             | 4 change over contact                             |
| Min. switching voltage   | AC/DC 5 V   |
| Max. switching voltage   | AC/DC 250 V                                       |
| Min. switching current   | AgNi: AC/DC 5 mA                                  |
| Max. switching current   | AC/DC 5 A   |
| Switching capacity AC 15 | at 24 V: 2.5 A, at 230 V: 1.5 A                   |
| Switching capacity DC 13 | at 24 V: 1.8A, at 115 V: 300 mA, at 230 V: 150 mA |
| Max. switching capacity  | 1250 VA   |
| Contact material         | AgNi  |
| Mechanical service life  | >2 x 10 <sup>7</sup> operations                   |

03.04.2016 – Subject to technical modification

Part-No. 770446

USA: LUTZE INC.

13330 South Ridge Drive • Charlotte, NC 28273, USA  
 Tel. +1 (704) 504-0222 • Fax +1 (704) 504-0223  
 www.lutze.com • info@lutze.com

United Kingdom: LUTZE Ltd.

Unit 3, Sandy Hill Park  
 Sandy Way, Amington • GB-Tamworth, Staffs B77 4DU  
 Tel. +44 (0)1827 31333-0 • Fax +44 (0)1827 31333-2  
 www.lutze.com • sales.gb@lutze.co.uk



SYSTEMATIC TECHNOLOGY

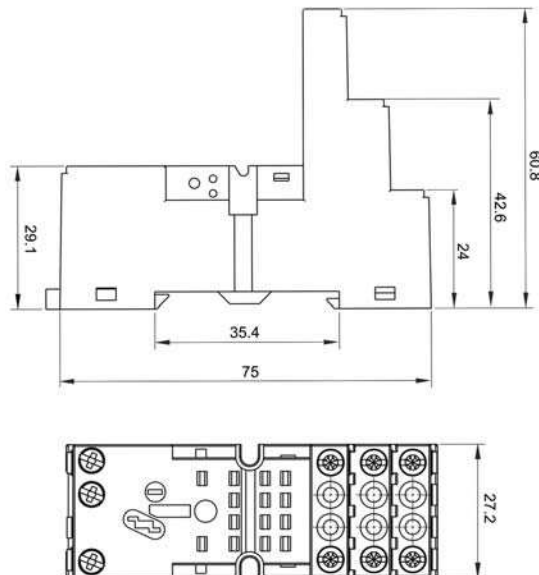
## Technical data sheet • Interface Technology

|   |  |
|---|--|
| Switch-on delay                               | 25 ms  |
| Switch-off delay                              | 25 ms  |
| Clearance/creep. dist.<br>(control/load side) | Clearance distance: > 2 mm; creepage distance: > 3mm |

### General

|                                 |   |
|---------------------------------|---|
| Housing material                | PA 66+GF V0 (UL)                        |
| Protection class                | IP 20                                   |
| Field installation              | rail TS 35 (EN 50022)                   |
| Insulation voltage input/output | 1.5 kV <sub>eff</sub>                   |
| Safe isolation                  | yes                                     |
| Operation temperature range     | -40 °C – 70 °C                          |
| Storage temperature range       | -40 °C – 85 °C                          |
| Dimensions (w × h × d)          | 27.2 × 75.0 × 82.0 mm                   |
| Weight (kg/piece)               | 0.108                                   |
| Approvals                       | cULus                                   |
| Termination                     | Screw terminal: 0.2–4.0 mm <sup>2</sup> |

### Dimensions



03.04.2016 – Subject to technical modification

Part-No. 770446

USA: LUTZE INC.

13330 South Ridge Drive • Charlotte, NC 28273, USA  
Tel. +1 (704) 504-0222 • Fax +1 (704) 504-0223  
www.lutze.com • info@lutze.com

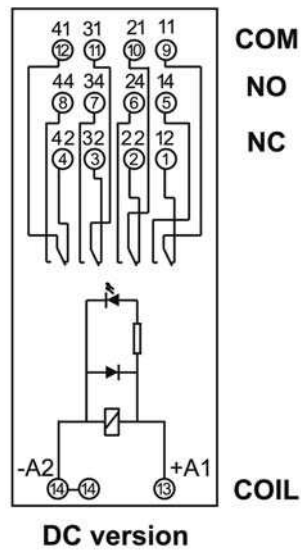
United Kingdom: LUTZE Ltd.

Unit 3, Sandy Hill Park  
Sandy Way, Amington • GB-Tamworth, Staffs B77 4DU  
Tel. +44 (0)1827 31333-0 • Fax +44 (0)1827 31333-2  
www.lutze.com • sales.gb@lutze.co.uk



SYSTEMATIC TECHNOLOGY

PIN assignment



03.04.2016 – Subject to technical modification

Part-No. 770446

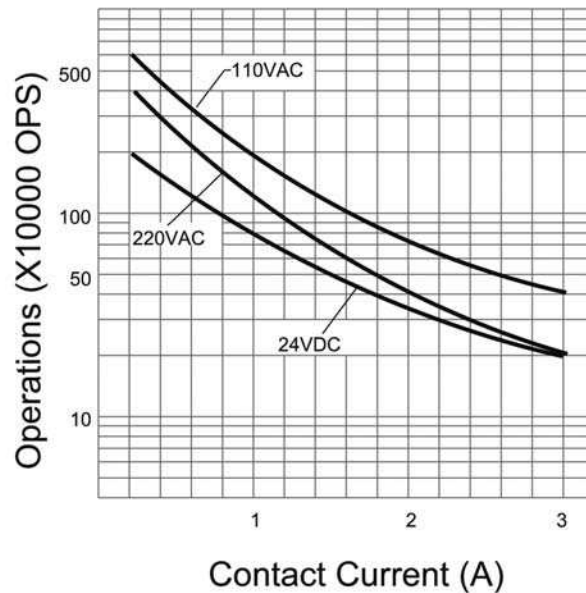
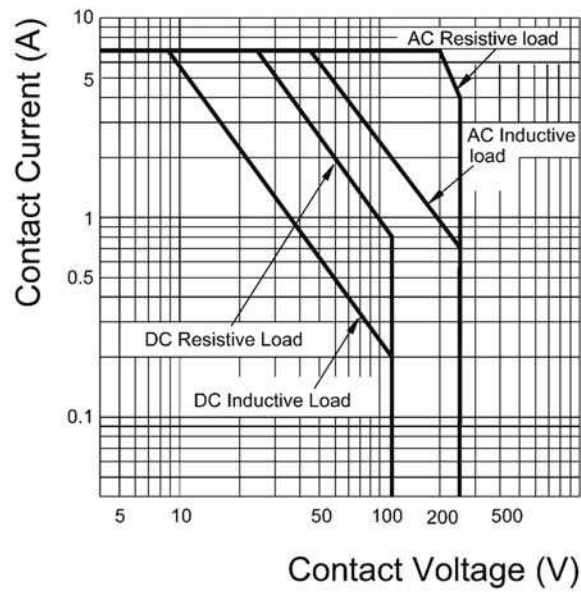
USA: LUTZE INC.

13330 South Ridge Drive • Charlotte, NC 28273, USA  
Tel. +1 (704) 504-0222 • Fax +1 (704) 504-0223  
www.lutze.com • info@lutze.com

United Kingdom: LUTZE Ltd.

Unit 3, Sandy Hill Park  
Sandy Way, Amington • GB-Tamworth, Staffs B77 4DU  
Tel. +44 (0)1827 31333-0 • Fax +44 (0)1827 31333-2  
www.lutze.com • sales.gb@lutze.co.uk

**Limit curve**



**Accessories**

03.04.2016 – Subject to technical modification

Part-No. 770446

USA: LUTZE INC.

13330 South Ridge Drive • Charlotte, NC 28273, USA  
 Tel. +1 (704) 504-0222 • Fax +1 (704) 504-0223  
 www.lutze.com • info@lutze.com

United Kingdom: LUTZE Ltd.

Unit 3, Sandy Hill Park  
 Sandy Way, Amington • GB-Tamworth, Staffs B77 4DU  
 Tel. +44 (0)1827 31333-0 • Fax +44 (0)1827 31333-2  
 www.lutze.com • sales.gb@lutze.co.uk



SYSTEMATIC TECHNOLOGY

## Technical data sheet - Interface Technology

---

| Accessories                 | Color | Article number | Type                 | PU |
|-----------------------------|-------|----------------|----------------------|----|
| Relay socket                |       | 770905         | RES4W-0905           | 10 |
| Backup relay DC 12 V        |       | 770400         | RE4W-0400 DC12       | 10 |
| Backup relay DC 12 V HV     |       | 770420         | RE4WHV-0420<br>DC12  | 10 |
| Backup relay DC 24 V        |       | 770401         | RE4W-0401 DC24       | 10 |
| Backup relay DC 24 V HV     |       | 770421         | RE4WHV-0421<br>DC24  | 10 |
| Backup relay DC 110 V       |       | 770406         | RE4W-0406 DC120      | 10 |
| Backup relay DC 110 V HV    |       | 770426         | RE4WHV-0426<br>DC120 | 10 |
| Protecting module AC 6-24 V |       | 770911         | PM41G-0911           | 10 |
| Protecting module DC 110 V  |       | 770916         | PM43G-0916           | 10 |
| Plate                       |       | 770907         | REM WT-0907          | 10 |
| Jumper comb 10A             | black | 770909         | REI-0909             | 10 |

03.04.2016 – Subject to technical modification

Part-No. 770446

USA: LUTZE INC.

13330 South Ridge Drive • Charlotte, NC 28273, USA  
Tel. +1 (704) 504-0222 • Fax +1 (704) 504-0223  
www.lutze.com • info@lutze.com

United Kingdom: LUTZE Ltd.

Unit 3, Sandy Hill Park  
Sandy Way, Amington • GB-Tamworth, Staffs B77 4DU  
Tel. +44 (0)1827 31333-0 • Fax +44 (0)1827 31333-2  
www.lutze.com • sales.gb@lutze.co.uk



SYSTEMATIC TECHNOLOGY