



Identification	Type	RE2W-0501 DC24V
	Part-No.	770501
Input		
Nominal voltage	DC 24 V	
Power consumption	DC: 0.9 W	
Interrupting voltage	DC: >0.1 Un	
Output		
Min. switching voltage	AC/DC 5 V	
Max. switching voltage	AC/DC 250 V	
Min. switching current	AgNi: AC/DC 5 mA	
Max. switching current	AC1: 7 A / 250 V AC, DC1: 7 A / 30 V DC	
Switching capacity AC 15	3.3 A	
Switching capacity DC 13	24 V: 2 A, 115 V: 300 mA, 230 V: 150 mA	
Max. switching capacity	1750 VA	
Switching frequency	AC1: 1,200 cycles/hour, without load 18,000 cycles/hour	
Mechanical service life	>2 × 10 ⁷ operations	
Switch-on delay	25 ms	
Switch-off delay	25 ms	
Clearance/creep. dist. (control/load side)	Air clearance: >2.5 mm, creep clearance: >4 mm	
Overvoltage category	III	
Pollution degree	3	

03.04.2016 – Subject to technical modification

Part-No. 770501

USA: LUTZE INC.

13330 South Ridge Drive • Charlotte, NC 28273, USA
 Tel. +1 (704) 504-0222 • Fax +1 (704) 504-0223
 www.lutze.com • info@lutze.com

United Kingdom: LUTZE Ltd.

Unit 3, Sandy Hill Park
 Sandy Way, Amington • GB-Tamworth, Staffs B77 4DU
 Tel. +44 (0)1827 31333-0 • Fax +44 (0)1827 31333-2
 www.lutze.com • sales.gb@lutze.co.uk

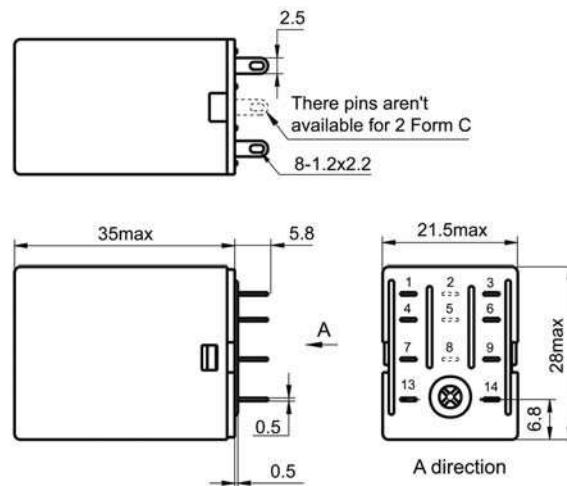


Technical data sheet · Interface Technology

General

Contact type	2 change over contact
Rated insulation voltage (EN 50178)	AC 250 V (C 250)
Resistor	< 100 mΩ
Contact material	AgNi
Protection class	IP 40
Protection class	RTI - dust proof
Shock resistance	10 g
Vibration resistance	5 g, 10...55 Hz
Operation temperature range	-40 °C – 70 °C
Storage temperature range	-40 °C – 85 °C
Dimensions (w × h × d)	28.0 × 21.2 × 35.0 mm
Weight (kg/piece)	0.037
Approvals	cULus, TÜV, CQC
Termination	plug-in

Dimensions



03.04.2016 – Subject to technical modification

Part-No. 770501

USA: LUTZE INC.

13330 South Ridge Drive • Charlotte, NC 28273, USA
Tel. +1 (704) 504-0222 • Fax +1 (704) 504-0223
www.lutze.com • info@lutze.com

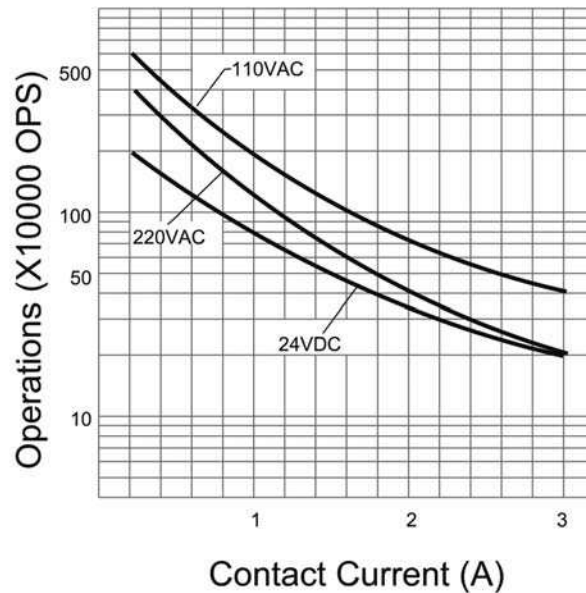
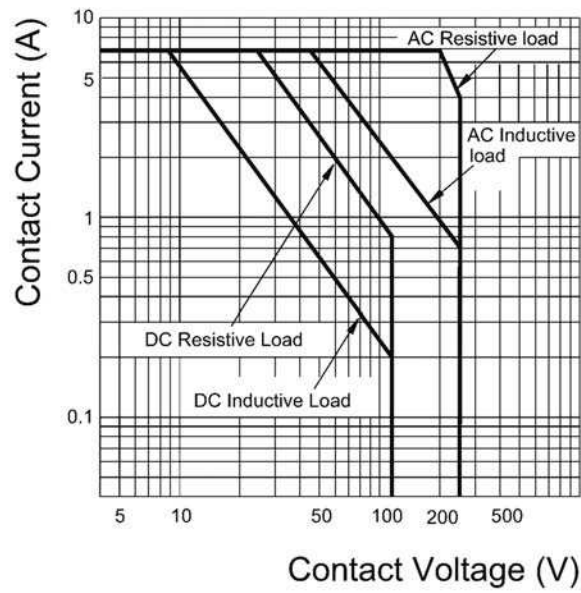
United Kingdom: LUTZE Ltd.

Unit 3, Sandy Hill Park
Sandy Way, Amington • GB-Tamworth, Staffs B77 4DU
Tel. +44 (0)1827 31333-0 • Fax +44 (0)1827 31333-2
www.lutze.com • sales.gb@lutze.co.uk



SYSTEMATIC TECHNOLOGY

Limit curve



03.04.2016 – Subject to technical modification

Part-No. 770501

USA: LUTZE INC.

13330 South Ridge Drive • Charlotte, NC 28273, USA

Tel. +1 (704) 504-0222 • Fax +1 (704) 504-0223

www.lutze.com • info@lutze.com

United Kingdom: LUTZE Ltd.

Unit 3, Sandy Hill Park

Sandy Way, Amington • GB-Tamworth, Staffs B77 4DU

Tel. +44 (0)1827 31333-0 • Fax +44 (0)1827 31333-2

www.lutze.com • sales.gb@lutze.co.uk



SYSTEMATIC TECHNOLOGY