



| | | |
|--|---|-----------------|
| Identification | Type | RE2W-0516 AC120 |
| | Part-No. | 770516 |
| Input | | |
| Nominal voltage | AC 115 V | |
| Power consumption | AC: 1.2 VA | |
| Interrupting voltage | AC: $\geq 0.2 U_n$ | |
| Output | | |
| Min. switching voltage | AC/DC 5 V | |
| Max. switching voltage | AC/DC 250 V | |
| Min. switching current | AgNi: AC/DC 5 mA | |
| Max. switching current | AC1: 7 A / 250 V AC, DC1: 7 A / 30 V DC | |
| Switching capacity AC 15 | 3.3 A | |
| Switching capacity DC 13 | 24 V: 2 A, 115 V: 300 mA, 230 V: 150 mA | |
| Max. switching capacity | 1750 VA | |
| Switching frequency | AC1: 1,200 cycles/hour, without load 18,000 cycles/hour | |
| Mechanical service life | $> 2 \times 10^7$ operations | |
| Switch-on delay | 25 ms | |
| Switch-off delay | 25 ms | |
| Clearance/creep. dist. (control/load side) | Air clearance: > 2.5 mm, creep clearance: > 4 mm | |
| Overvoltage category | III | |
| Pollution degree | 3 | |

20.04.2013 – Subject to technical modification

Part-No. 770516

USA: LUTZE INC.

13330 South Ridge Drive • Charlotte, NC 28273, USA
 Tel. +1 (704) 504-0222 • Fax +1 (704) 504-0223
 www.lutze.com • info@lutze.com

United Kingdom: LÜTZE Ltd.

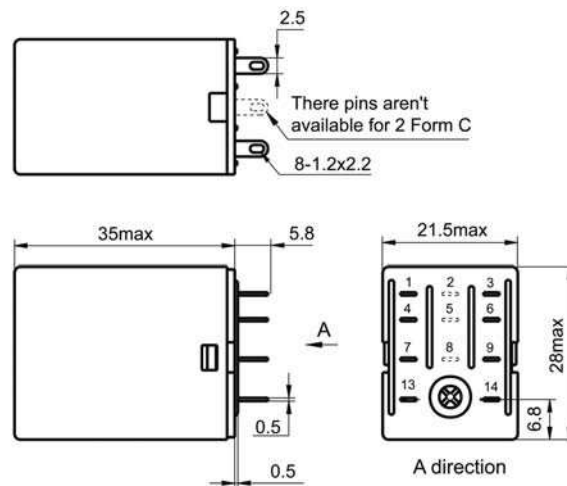
Unit 3, Sandy Hill Park
 Sandy Way, Amington • GB-Tamworth, Staffs B77 4DU
 Tel. +44 (0)1827 31333-0 • Fax +44 (0)1827 31333-2
 www.lutze.com • sales.gb@lutze.co.uk



General

| | |
|-------------------------------------|-----------------------|
| Contact type | 2 change over contact |
| Rated insulation voltage (EN 50178) | AC 250 V (C 250) |
| Resistor | < 100 mΩ |
| Contact material | AgNi |
| Protection class | IP 40 |
| Protection class | RT1 - dust proof |
| Shock resistance | 10 g |
| Vibration resistance | 5 g, 10...55 Hz |
| Operation temperature range | -40 °C – 70 °C |
| Storage temperature range | -40 °C – 85 °C |
| Dimensions (w × h × d) | 28.0×21.2×35.0 mm |
| Weight (kg/piece) | 0.037 |
| Approvals | cULus, TÜV, CQC |
| Termination | plug-in |

Dimensions



20.04.2013 – Subject to technical modification

Part-No. 770516

USA: LUTZE INC.

13330 South Ridge Drive • Charlotte, NC 28273, USA
Tel. +1 (704) 504-0222 • Fax +1 (704) 504-0223
www.lutze.com • info@lutze.com

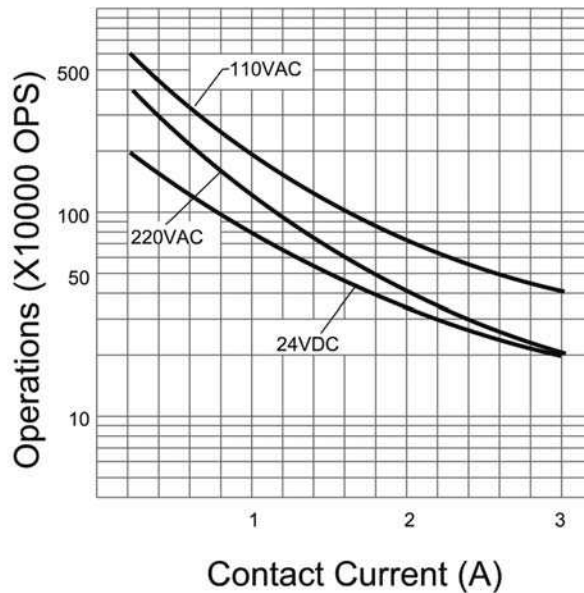
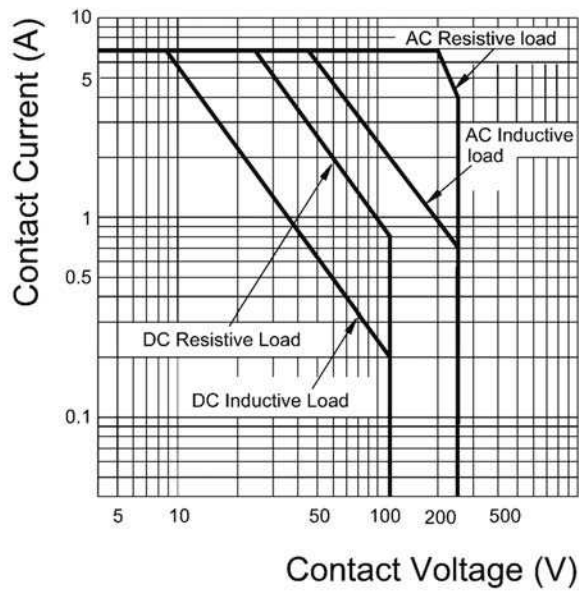
United Kingdom: LÜTZE Ltd.

Unit 3, Sandy Hill Park
Sandy Way, Amington • GB-Tamworth, Staffs B77 4DU
Tel. +44 (0)1827 31333-0 • Fax +44 (0)1827 31333-2
www.lutze.com • sales.gb@lutze.co.uk



SYSTEMATIC TECHNOLOGY

Limit curve



20.04.2013 – Subject to technical modification

Part-No. 770516

USA: LUTZE INC.

13330 South Ridge Drive · Charlotte, NC 28273, USA

Tel. +1 (704) 504-0222 · Fax +1 (704) 504-0223

www.lutze.com · info@lutze.com

United Kingdom: LÜTZE Ltd.

Unit 3, Sandy Hill Park

Sandy Way, Amington · GB-Tamworth, Staffs B77 4DU

Tel. +44 (0)1827 31333-0 · Fax +44 (0)1827 31333-2

www.lutze.com · sales.gb@lutze.co.uk



SYSTEMATIC TECHNOLOGY