



<b>Identification</b>	Type	RE2WHV-0537 AC230
	Part-No.	770537

**Input**

Nominal voltage	AC 230 V
Power consumption	AC: 1.2 VA
Interrupting voltage	AC: $\geq 0.2 U_n$

**Output**

Min. switching voltage	AC/DC 5 V
Max. switching voltage	AC/DC 250 V
Min. switching current	AgNi+ 5 $\mu$ m HV: AC/DC 2 mA
Max. switching current	AC1: 7 A / 250 V AC, DC1: 7 A / 30 V DC
Switching capacity AC 15	3.3 A
Switching capacity DC 13	24 V: 2 A, 115 V: 300 mA, 230 V: 150 mA
Max. switching capacity	1750 VA
Switching frequency	AC1: 1,200 cycles/hour, without load 18,000 cycles/hour
Mechanical service life	$> 2 \times 10^7$ operations
Switch-on delay	25 ms
Switch-off delay	25 ms
Clearance/creep. dist. (control/load side)	Air clearance: $> 2.5$ mm, creep clearance: $> 4$ mm
Overvoltage category	III
Pollution degree	3

20.04.2013 – Subject to technical modification

Part-No. 770537

USA: LUTZE INC.  
 13330 South Ridge Drive • Charlotte, NC 28273, USA  
 Tel. +1 (704) 504-0222 • Fax +1 (704) 504-0223  
 www.lutze.com • info@lutze.com

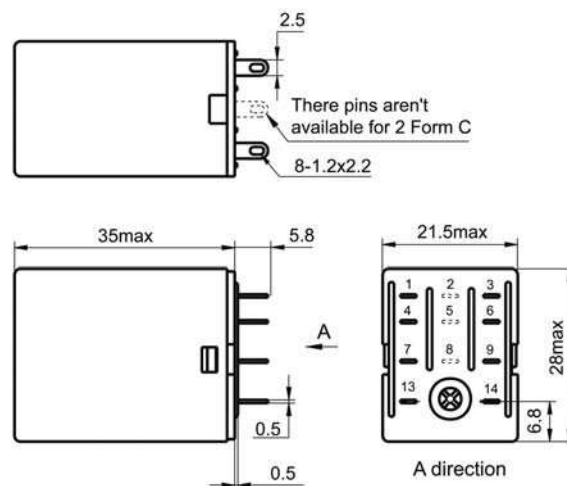
United Kingdom: LÜTZE Ltd.  
 Unit 3, Sandy Hill Park  
 Sandy Way, Amington • GB-Tamworth, Staffs B77 4DU  
 Tel. +44 (0)1827 31333-0 • Fax +44 (0)1827 31333-2  
 www.lutze.com • sales.gb@lutze.co.uk



## General

Contact type	2 change over contact
Rated insulation voltage (EN 50178)	AC 250 V (C 250)
Resistor	< 100 mΩ
Contact material	AgNi+5 μm HV
Protection class	IP 40
Protection class	RT1 - dust proof
Shock resistance	10 g
Vibration resistance	5 g, 10...55 Hz
Operation temperature range	-40 °C – 70 °C
Storage temperature range	-40 °C – 85 °C
Dimensions (w × h × d)	28.0×21.2×35.0 mm
Weight (kg/piece)	0.037
Approvals	cULus, TÜV, CQC
Termination	plug-in

## Dimensions



20.04.2013 – Subject to technical modification

Part-No. 770537

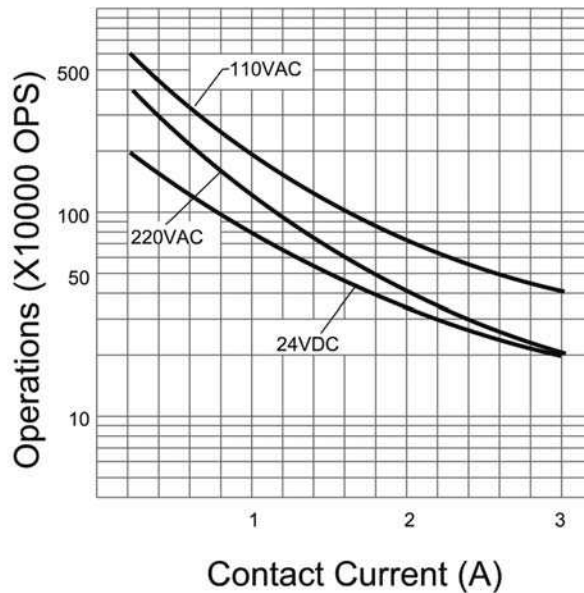
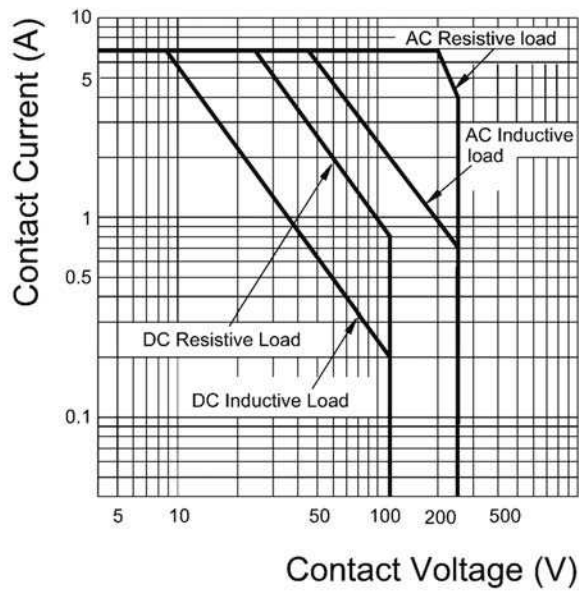
USA: LUTZE INC.

13330 South Ridge Drive • Charlotte, NC 28273, USA  
Tel. +1 (704) 504-0222 • Fax +1 (704) 504-0223  
www.lutze.com • info@lutze.com

United Kingdom: LÜTZE Ltd.

Unit 3, Sandy Hill Park  
Sandy Way, Amington • GB-Tamworth, Staffs B77 4DU  
Tel. +44 (0)1827 31333-0 • Fax +44 (0)1827 31333-2  
www.lutze.com • sales.gb@lutze.co.uk

Limit curve



20.04.2013 – Subject to technical modification

Part-No. 770537

USA: LUTZE INC.

13330 South Ridge Drive · Charlotte, NC 28273, USA

Tel. +1 (704) 504-0222 · Fax +1 (704) 504-0223

www.lutze.com · info@lutze.com

United Kingdom: LÜTZE Ltd.

Unit 3, Sandy Hill Park

Sandy Way, Amington · GB-Tamworth, Staffs B77 4DU

Tel. +44 (0)1827 31333-0 · Fax +44 (0)1827 31333-2

www.lutze.com · sales.gb@lutze.co.uk



SYSTEMATIC TECHNOLOGY