



Identification	Type	REI2-0541 2W DC24V
	Part-No.	770541
Description	DC-Relay-Interface, 2 CO contact, pluggable AC/DC 250 V, 7 A, 1750 VA	
Input		
Rated voltage U_N	DC 24 V	
Input voltage range	19.2 – 26.4 V	
Rated current I_N	0.037 A	
Interrupting voltage	<2.4 V	
Protection device	Free-wheeling diode	
Status display input	LED green	
Power consumption	0.9 W	
Output		
Contact type	2 changeover contacts	
Switching element	Relays	
Min. switching voltage	AC/DC 5 V	
Max. switching voltage	AC/DC 250 V	
Min. switching current	AgNi: AC/DC 5 mA	
Max. switching current	AC/DC 7 A	

25.08.2017 – Subject to technical modification

Part-No. 770541

USA: LUTZE INC.

13330 South Ridge Drive • Charlotte, NC 28273, USA
Tel. +1 (704) 504-0222 • Fax +1 (704) 504-0223
www.lutze.com • info@lutze.com

United Kingdom: LÜTZE Ltd.

Unit 3, Sandy Hill Park
Sandy Way, Amington • GB-Tamworth, Staffs B77 4DU
Tel. +44 (0)1827 31333-0 • Fax +44 (0)1827 31333-2
www.lutze.com • sales.gb@lutze.co.uk



SYSTEMATIC TECHNOLOGY

Technical data sheet · Interface Technology

Switching capacity DC 13	1,8 A @ 24 V, 300 mA @ 115 V, 150 mA @ 230 V
Switching capacity AC 15	2.5 A @ 24 V, 1.5 A @ 230 V
Max. switching capacity	3000 VA
Contact material	AgNi
Mechanical service life	> 2 x 10 ⁷ operations
Switch-on delay	25 ms
Shutdown delay	25 ms
Clearance/creep. dist. (control/load side)	Air clearance: >2 mm, creep clearance: >3 mm
Protection device	none
Rated insulation voltage (EN 50178)	AC 250 V (category C 250)

General

Housing material	PA 6.6 + GF V0 (UL)
Colour of the housing	black
Protection class	IP20
Mounting	DIN rail mountable TS35
Insulation voltage input / output	1.5 kV _{eff}
Safe isolation	yes
Operation temperature range	-40 °C ... +70 °C
Storage temperature range	-40 °C ... +85 °C
Dimensions (w × h × d)	27.2 × 75.0 × 82.0 mm (including mounting bracket)
Weight	0.097 kg/piece
Connection device	Screw terminal 0.20 mm ² – 4.0 mm ²
Standards	EN 60947-4-1
Approvals	cULus

25.08.2017 – Subject to technical modification

Part-No. 770541

USA: LUTZE INC.

13330 South Ridge Drive · Charlotte, NC 28273, USA
Tel. +1 (704) 504-0222 · Fax +1 (704) 504-0223
www.lutze.com · info@lutze.com

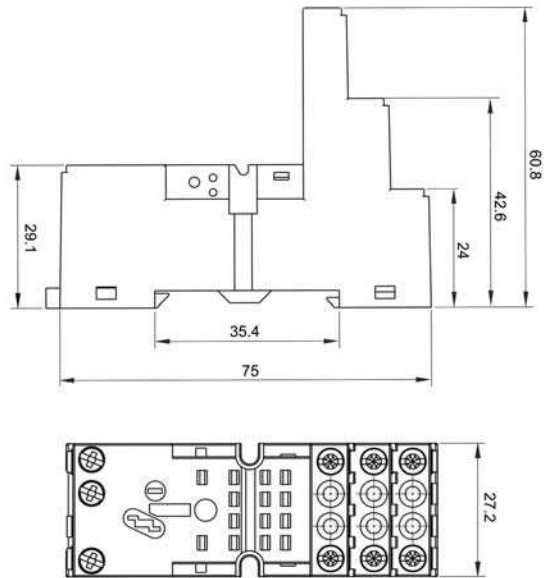
United Kingdom: LÜTZE Ltd.

Unit 3, Sandy Hill Park
Sandy Way, Amington · GB-Tamworth, Staffs B77 4DU
Tel. +44 (0)1827 31333-0 · Fax +44 (0)1827 31333-2
www.lutze.com · sales.gb@lutze.co.uk

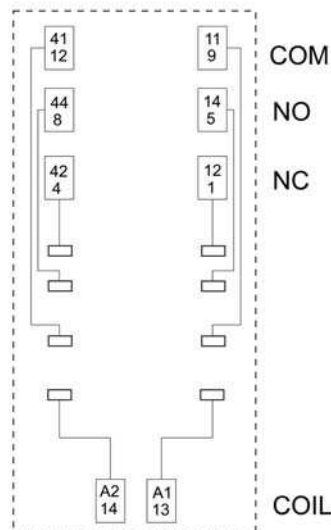


SYSTEMATIC TECHNOLOGY

Dimensions



PIN assignment



25.08.2017 – Subject to technical modification

Part-No. 770541

USA: LUTZE INC.

13330 South Ridge Drive • Charlotte, NC 28273, USA
Tel. +1 (704) 504-0222 • Fax +1 (704) 504-0223
www.lutze.com • info@lutze.com

United Kingdom: LÜTZE Ltd.

Unit 3, Sandy Hill Park
Sandy Way, Amington • GB-Tamworth, Staffs B77 4DU
Tel. +44 (0)1827 31333-0 • Fax +44 (0)1827 31333-2
www.lutze.com • sales.gb@lutze.co.uk