



| | | |
|-----------------------|----------|--------------------------|
| Identification | Type | REI2-0560 2W HTV DC 12 V |
| | Part-No. | 770560 |

Input

| | |
|----------------------|---------------------|
| Input voltage range | 9.6 V – 13.2 V |
| Nominal voltage | DC 12 V |
| Rated current | 75.0 mA |
| Interrupting voltage | <1.2 V |
| Protection device | Free-wheeling diode |
| Status Indication | LED green |
| Power consumption | 0.9 W |

Load Side

| | |
|--------------------------|---|
| Contact type | 2 change over contact |
| Min. switching voltage | AC/DC 5 V |
| Max. switching voltage | AC/DC 250 V |
| Min. switching current | AgNi+5 µm HV: AC/DC 2 mA |
| Max. switching current | AC/DC 7 A |
| Switching capacity AC 15 | at 24 V: 2.5 A, at 230 V: 1.5 A |
| Switching capacity DC 13 | at 24 V: 1.8A, at 115 V: 300 mA, at 230 V: 150 mA |
| Max. switching capacity | 3000 VA |
| Contact material | AgNi + 5 µm HV |
| Mechanical service life | >2 x 10 ⁷ operations |

20.04.2013 – Subject to technical modification

Part-No. 770560

USA: LUTZE INC.

13330 South Ridge Drive • Charlotte, NC 28273, USA
 Tel. +1 (704) 504-0222 • Fax +1 (704) 504-0223
 www.lutze.com • info@lutze.com

United Kingdom: LÜTZE Ltd.

Unit 3, Sandy Hill Park
 Sandy Way, Amington • GB-Tamworth, Staffs B77 4DU
 Tel. +44 (0)1827 31333-0 • Fax +44 (0)1827 31333-2
 www.lutze.com • sales.gb@lutze.co.uk



SYSTEMATIC TECHNOLOGY

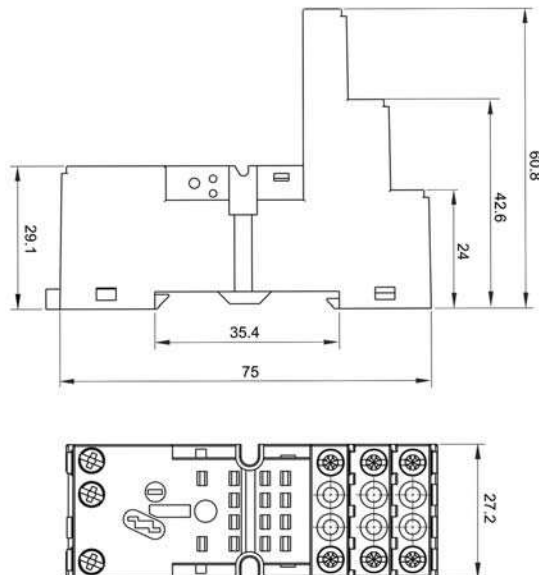
Technical data sheet - Interface Technology

| | |
|---|--|
| Switch-on delay | 25 ms |
| Switch-off delay | 25 ms |
| Clearance/creep. dist. (control/load side) | Clearance distance: > 2 mm; creepage distance: > 3mm |

General

| | |
|---------------------------------|---|
| Housing material | PA 66+GF V0 (UL) |
| Protection class | IP 20 |
| Field installation | rail TS 35 (EN 50022) |
| Insulation voltage input/output | 1.5 kV _{eff} |
| Safe isolation | yes |
| Operation temperature range | -40 °C – 70 °C |
| Storage temperature range | -40 °C – 85 °C |
| Dimensions (w × h × d) | 27.2×75.0×82.0 mm |
| Weight (kg/piece) | 0.097 |
| Approvals | cULus |
| Termination | Screw terminal: 0.2–4.0 mm ² |

Dimensions



20.04.2013 – Subject to technical modification

Part-No. 770560

USA: LUTZE INC.

13330 South Ridge Drive • Charlotte, NC 28273, USA
Tel. +1 (704) 504-0222 • Fax +1 (704) 504-0223
www.lutze.com • info@lutze.com

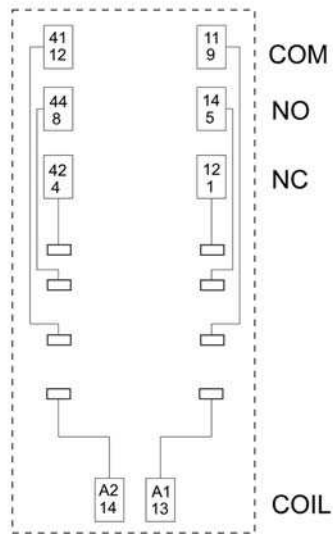
United Kingdom: LÜTZE Ltd.

Unit 3, Sandy Hill Park
Sandy Way, Amington • GB-Tamworth, Staffs B77 4DU
Tel. +44 (0)1827 31333-0 • Fax +44 (0)1827 31333-2
www.lutze.com • sales.gb@lutze.co.uk



SYSTEMATIC TECHNOLOGY

PIN assignment



20.04.2013 – Subject to technical modification

Part-No. 770560

USA: LUTZE INC.

13330 South Ridge Drive • Charlotte, NC 28273, USA
Tel. +1 (704) 504-0222 • Fax +1 (704) 504-0223
www.lutze.com • info@lutze.com

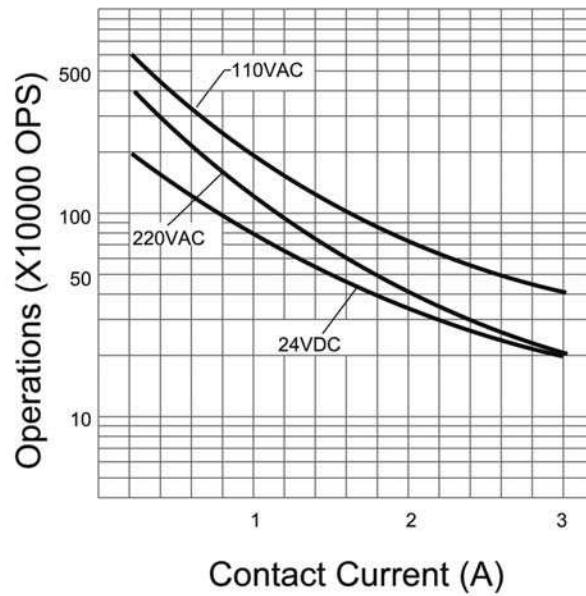
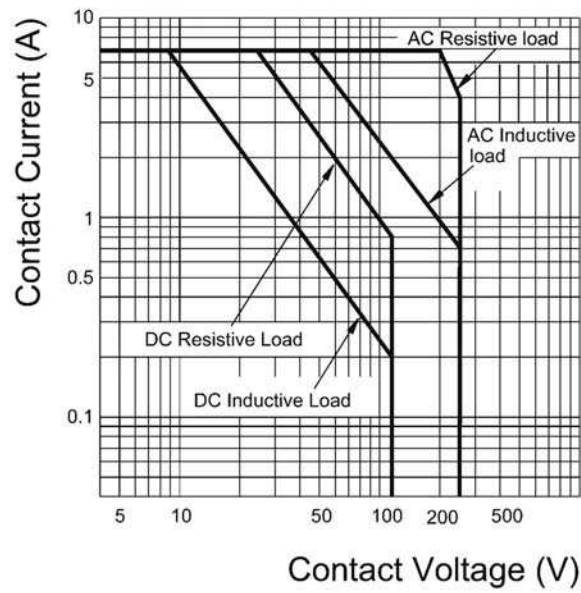
United Kingdom: LÜTZE Ltd.

Unit 3, Sandy Hill Park
Sandy Way, Amington • GB-Tamworth, Staffs B77 4DU
Tel. +44 (0)1827 31333-0 • Fax +44 (0)1827 31333-2
www.lutze.com • sales.gb@lutze.co.uk



SYSTEMATIC TECHNOLOGY

Limit curve



Accessories

20.04.2013 – Subject to technical modification

Part-No. 770560

USA: LUTZE INC.

13330 South Ridge Drive • Charlotte, NC 28273, USA
 Tel. +1 (704) 504-0222 • Fax +1 (704) 504-0223
 www.lutze.com • info@lutze.com

United Kingdom: LÜTZE Ltd.

Unit 3, Sandy Hill Park
 Sandy Way, Amington • GB-Tamworth, Staffs B77 4DU
 Tel. +44 (0)1827 31333-0 • Fax +44 (0)1827 31333-2
 www.lutze.com • sales.gb@lutze.co.uk



SYSTEMATIC TECHNOLOGY

Technical data sheet - Interface Technology

| Accessories | Colour | Article number | Type | PU |
|----------------------------|--------|----------------|----------------------|----|
| Relay socket | | 770903 | RES2W-0903 | 10 |
| Backup relay DC 12V | | 770500 | RE2W-0500 DC12 | 10 |
| Backup relay DC 12V HV | | 770520 | RE2WHV-0520 DC12 | 10 |
| Backup relay DC 24V | | 770501 | RE2W-0501 DC24 | 10 |
| Backup relay DC 24V HV | | 770521 | RE2WHV-0521 DC24 | 10 |
| Backup relay DC 110V | | 770506 | RE2W-0506 DC120 | 10 |
| Backup relay DC 110V HV | | 770526 | RE2WHV-0526 DC120 | 10 |
| Protecting module AC 6-24V | | 770911 | PM41G-0911 | 10 |
| Protecting module DC 110V | | 770916 | PM43G-0916 | 10 |
| Plate | | 770907 | REM WT-0907 | 10 |
| Jumper comb 10A | black | 770909 | REI-0909 | 10 |

Comments

To prevent damage to the gold layer, the stated values should not be exceeded.
At higher switching capacity, the gold layer vaporizes. The undercurrent in the housing can result in flashovers between coil - contact.

20.04.2013 – Subject to technical modification

Part-No. 770560

USA: LUTZE INC.

13330 South Ridge Drive • Charlotte, NC 28273, USA
Tel. +1 (704) 504-0222 • Fax +1 (704) 504-0223
www.lutze.com • info@lutze.com

United Kingdom: LÜTZE Ltd.

Unit 3, Sandy Hill Park
Sandy Way, Amington • GB-Tamworth, Staffs B77 4DU
Tel. +44 (0)1827 31333-0 • Fax +44 (0)1827 31333-2
www.lutze.com • sales.gb@lutze.co.uk



SYSTEMATIC TECHNOLOGY