

# Technical data sheet -

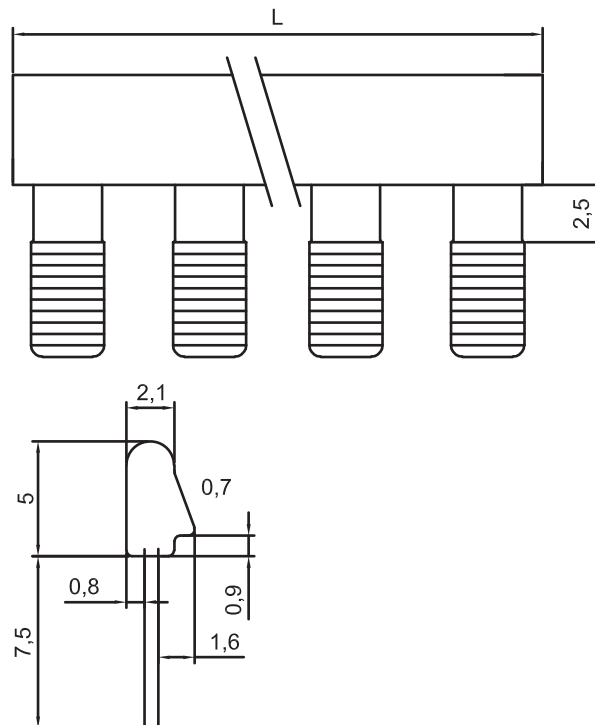
Jumper comb

<b>Identification</b>	Type	REP-0908
	Part-No.	770908

## General

Pin spacing	6.2 mm
Color	black
PU	10

## Dimensions



25.08.2017 – Subject to technical modification

Part-No. 770908

USA: LUTZE INC.

13330 South Ridge Drive • Charlotte, NC 28273, USA  
Tel. +1 (704) 504-0222 • Fax +1 (704) 504-0223  
www.lutze.com • info@lutze.com

United Kingdom: LÜTZE Ltd.

Unit 3, Sandy Hill Park

Sandy Way, Amington • GB-Tamworth, Staffs B77 4DU  
Tel. +44 (0)1827 31333-0 • Fax +44 (0)1827 31333-2  
www.lutze.com • sales.gb@lutze.co.uk



SYSTEMATIC TECHNOLOGY