

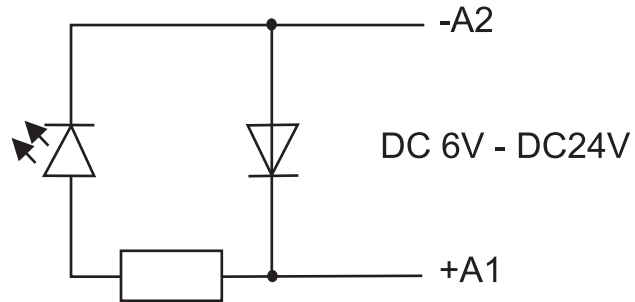


Identification	Type	PM41G-0911
	Part-No.	770911

Description	Pluggable microplug protection modules
	AC/DC 6 – 230 V with LED indication

General	PU	10
----------------	----	----

PIN assignment



25.08.2017 – Subject to technical modification

Part-No. 770911

USA: LUTZE INC.

13330 South Ridge Drive · Charlotte, NC 28273, USA
Tel. +1 (704) 504-0222 · Fax +1 (704) 504-0223
www.lutze.com · info@lutze.com

United Kingdom: LÜTZE Ltd.

Unit 3, Sandy Hill Park
Sandy Way, Amington · GB-Tamworth, Staffs B77 4DU
Tel. +44 (0)1827 31333-0 · Fax +44 (0)1827 31333-2
www.lutze.com · sales.gb@lutze.co.uk

