



| | | |
|--|--|--------------------------|
| Identification | Type | PM-RJ45 8F/IDC Cat.6 V14 |
| | Part-No. | 772135 |
| Description | Cable gland, RJ45, female / IDC Version V14, push-pull Category 5e | |
| Technical data | | |
| Nominal voltage | 30 V | |
| Rated current | Max. 1.0 A per contact | |
| Pol number | 8 | |
| Transmission frequency | 250 MHz | |
| Category | 6 | |
| Contact type | IDC | |
| Shielding | yes | |
| General | | |
| Form | V14 to IEC 61918, IEC 61784-5-3 | |
| Pollution degree | 2 | |
| Insulation resistance | ≥100 MΩ | |
| Contact resistance | ≤50 mΩ | |
| Class of flammability according to UL 94 | V0 | |

29.01.2017 – Subject to technical modification

Part-No. 772135

USA: LUTZE INC.

13330 South Ridge Drive · Charlotte, NC 28273, USA
Tel. +1 (704) 504-0222 · Fax +1 (704) 504-0223
www.lutze.com · info@lutze.com

United Kingdom: LÜTZE Ltd.

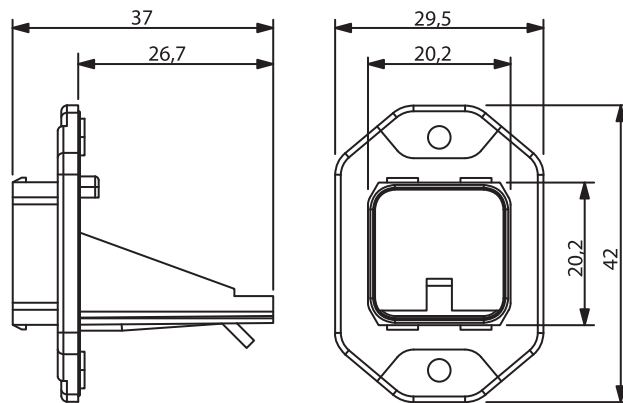
Unit 3, Sandy Hill Park
Sandy Way, Amington · GB-Tamworth, Staffs B77 4DU
Tel. +44 (0)1827 31333-0 · Fax +44 (0)1827 31333-2
www.lutze.com · sales.gb@lutze.co.uk



Technical data sheet · Interface Technology

| | |
|-----------------------------|------------------------|
| Protection class | IP 67 |
| Housing material | PA-GF black |
| Contact material | CuSn, gold-plated |
| Sealing ring | NBR |
| Cable diameter | Max. 9.5 mm |
| Storage temperature range | -20 °C ... 70 °C |
| Operation temperature range | -20 °C – 70 °C |
| Dimensions (w × h × d) | 29.5 × 42.0 × 37.0 mm |
| Mechanical service life | ≥ 750 insertion cycles |
| Cross section | AWG 24-22 |
| Weight (kg/piece) | 0.050 |
| PU | 1 |

Dimensions



29.01.2017 – Subject to technical modification

Part-No. 772135

USA: LUTZE INC.

13330 South Ridge Drive · Charlotte, NC 28273, USA
Tel. +1 (704) 504-0222 · Fax +1 (704) 504-0223
www.lutze.com · info@lutze.com

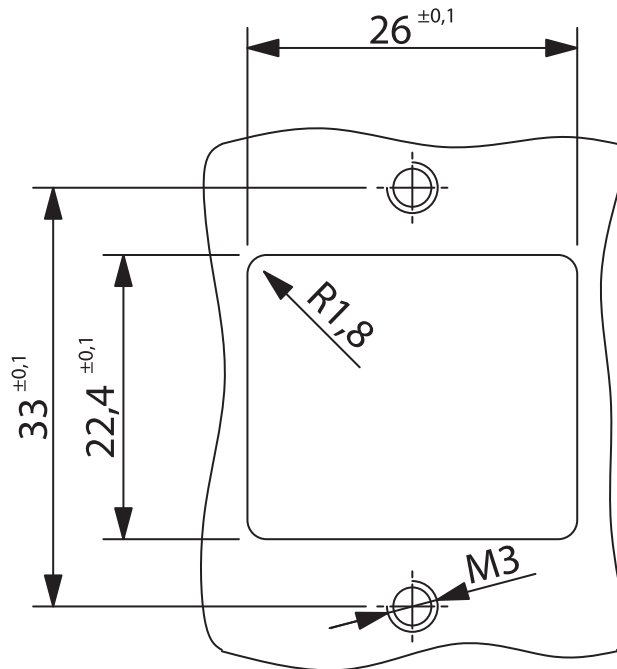
United Kingdom: LÜTZE Ltd.

Unit 3, Sandy Hill Park
Sandy Way, Amington · GB-Tamworth, Staffs B77 4DU
Tel. +44 (0)1827 31333-0 · Fax +44 (0)1827 31333-2
www.lutze.com · sales.gb@lutze.co.uk



SYSTEMATIC TECHNOLOGY

Mounting diagram



Connection assignment

RJ45

| | TIA 568A | TIA 568 B | Profinet |
|---|----------|-----------|----------|
| 1 | WHGN | WHOG | YE |
| 2 | GN | OG | OG |
| 3 | WHOG | WHGN | WH |
| 4 | BU | BU | - |
| 5 | WHBU | WHBU | - |
| 6 | OG | GN | BU |
| 7 | WHBR | WHBR | - |
| 8 | BR | BR | - |

Accessories

| Accessories | Article number | Type | PU |
|---------------------------|----------------|----------------------------------|----|
| Industrial connector RJ45 | 772131 | RJ45-M 4-pin Cat.5e V14 Profinet | 1 |
| Industrial connector RJ45 | 772130 | RJ45-M 8-pin Cat.5e V14 | 1 |
| Industrial connector RJ45 | 772132 | RJ45-M 8-pin Cat.6 V14 | 1 |

29.01.2017 – Subject to technical modification

Part-No. 772135

USA: LUTZE INC.

13330 South Ridge Drive • Charlotte, NC 28273, USA
 Tel. +1 (704) 504-0222 • Fax +1 (704) 504-0223
 www.lutze.com • info@lutze.com

United Kingdom: LÜTZE Ltd.

Unit 3, Sandy Hill Park
 Sandy Way, Amington • GB-Tamworth, Staffs B77 4DU
 Tel. +44 (0)1827 31333-0 • Fax +44 (0)1827 31333-2
 www.lutze.com • sales.gb@lutze.co.uk



SYSTEMATIC TECHNOLOGY